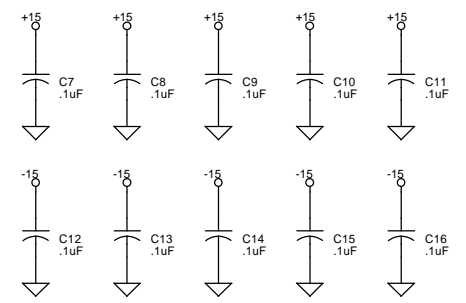
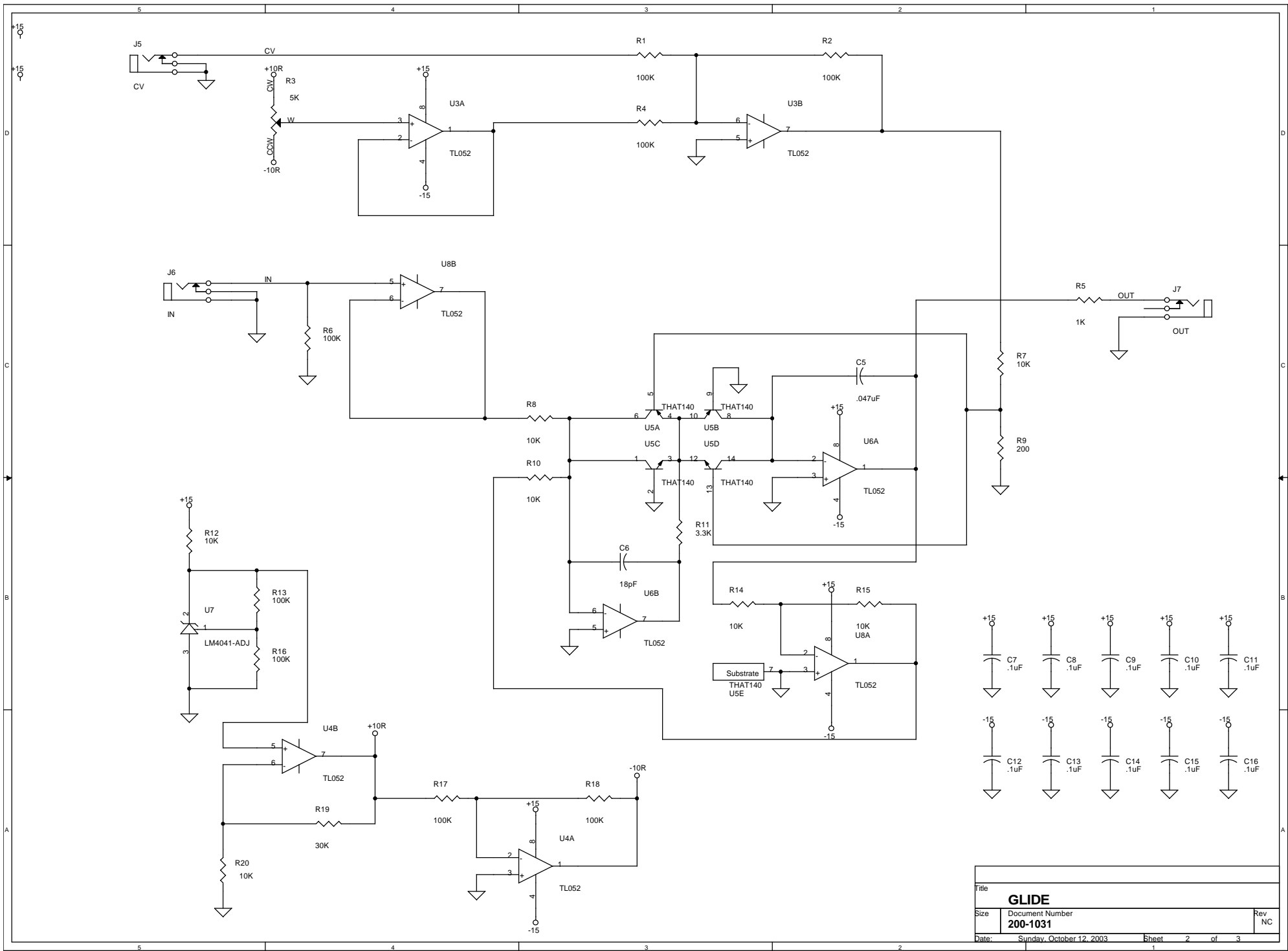
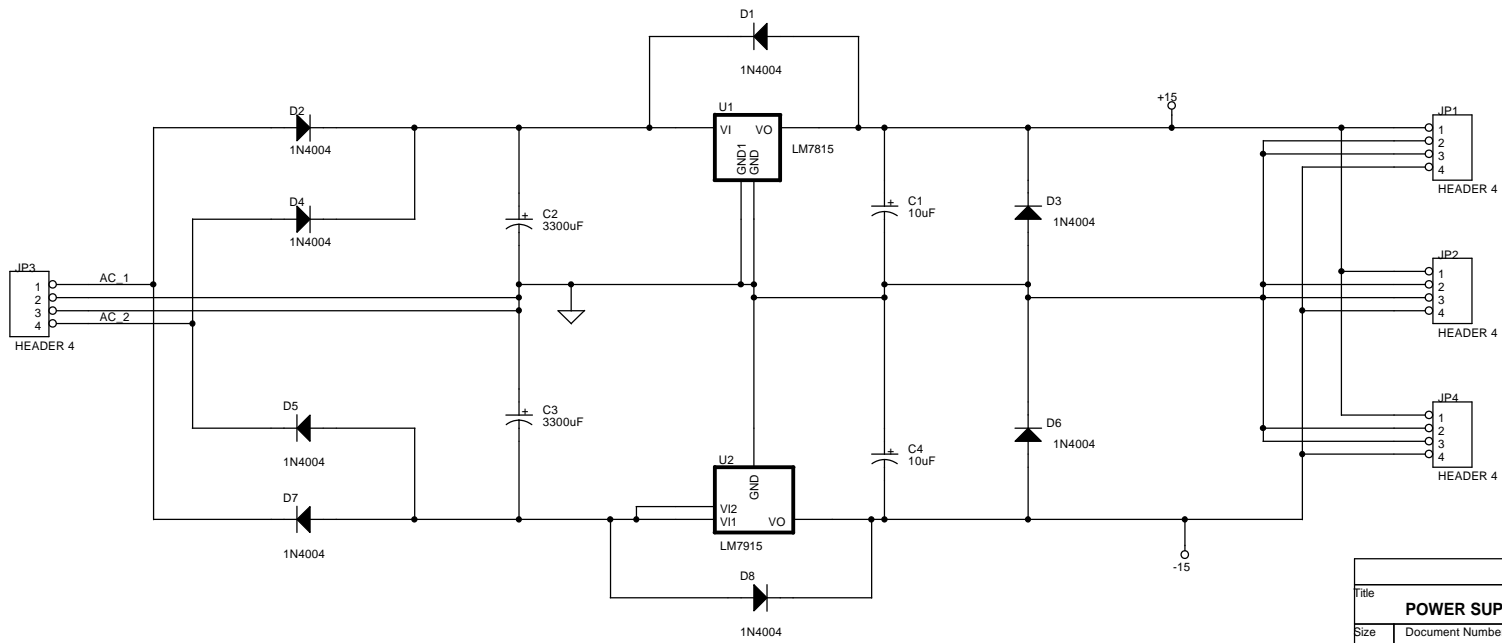


Title		
POWER SUPPLY AND GLIDE BOARD		
Size	Document Number	Rev
	200-1031	NC
Date:	Sunday, October 12, 2003	Sheet 1 of 3



Title		
<b>GLIDE</b>		
Size	Document Number	Rev
	<b>200-1031</b>	NC
Date:	Sunday, October 12, 2003	Sheet 2 of 3



Title		
POWER SUPPLY		
Size	Document Number	Rev
	200-1031	NC
Date:	Sunday, October 12, 2003	Sheet 3 of 3

1: POWER SUPPLY AND GLIDE BOARD Revised: Sunday, October 12, 2003  
2: 200-1031 Revision: NC  
3:  
4:  
5:  
6:  
7:  
8:  
9:

10: Bill Of Materials March 28,2004 11:00:07 Page1

11:

12: Item Quantity Reference Part

13: \_\_\_\_\_

14:

15: 1 2 C1,C4 10uF  
16: 2 2 C2,C3 3300uF  
17: 3 1 C5 .047uF  
18: 4 1 C6 18pF  
19: 5 10 C7,C8,C9,C10,C11,C12,C13, .1uF  
20: C14,C15,C16  
21: 6 8 D1,D2,D3,D4,D5,D6,D7,D8 1N4004  
22: 7 4 JP1,JP2,JP3,JP4 HEADER 4  
23: 8 4 J1,J2,J3,J4 MULT  
24: 9 1 J5 CV  
25: 10 1 J6 IN  
26: 11 1 J7 OUT  
27: 12 8 R1,R2,R4,R6,R13,R16,R17, 100K  
28: R18  
29: 13 1 R3 5K  
30: 14 1 R5 1K  
31: 15 7 R7,R8,R10,R12,R14,R15, 10K  
32: R20  
33: 16 1 R9 200  
34: 17 1 R11 3.3K  
35: 18 1 R19 30K  
36: 19 1 U1 LM7815  
37: 20 1 U2 LM7915  
38: 21 4 U3,U4,U6,U8 TL052  
39: 22 1 U5 THAT140  
40: 23 1 U7 LM4041-ADJ  
41: