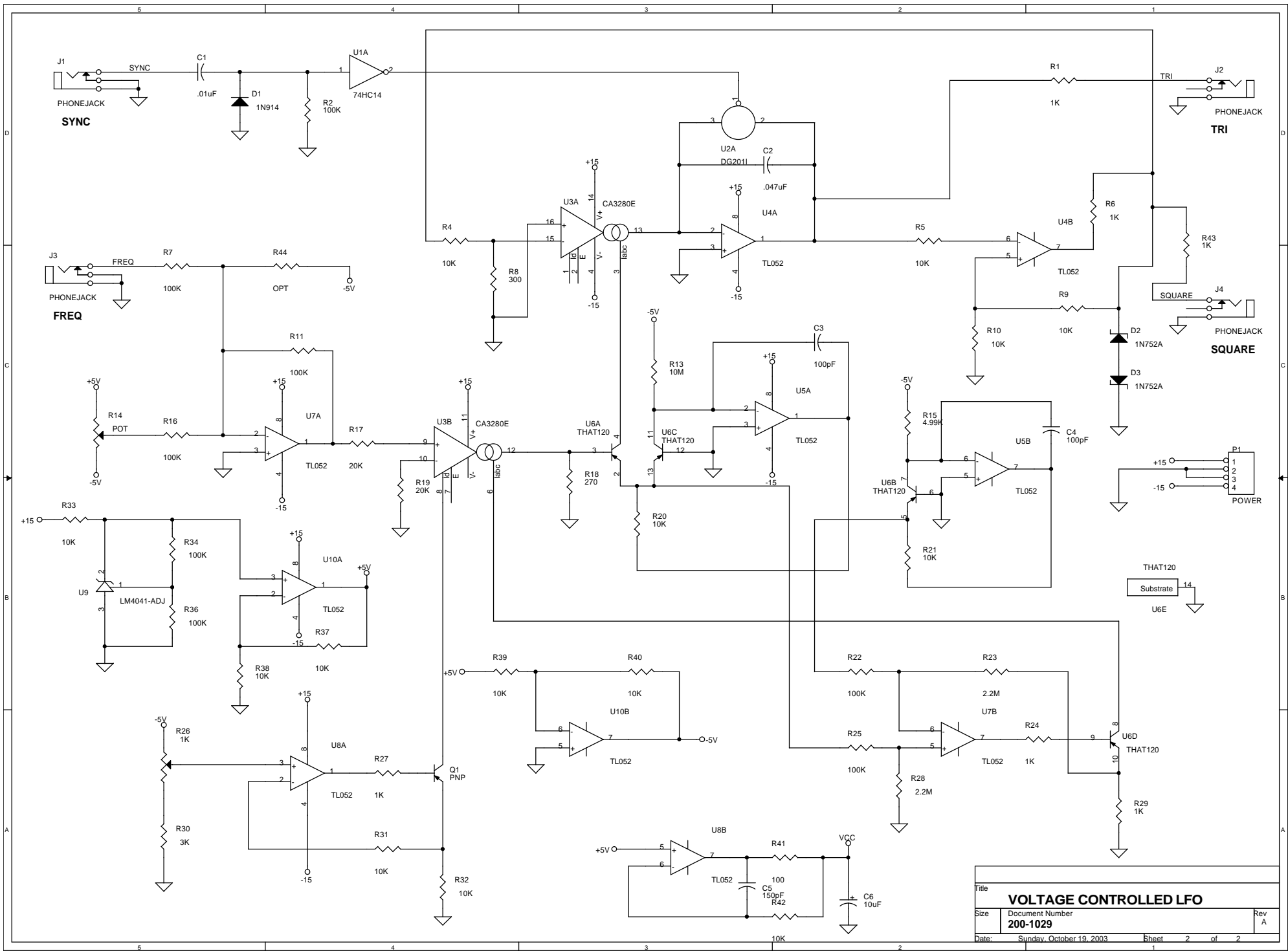


Title		
<b>VOLTAGE CONTROLLED LFO</b>		
Size	Document Number	Rev
	<b>200-1029</b>	<b>A</b>
Date:	Sunday, October 19, 2003	Sheet 1 of 2



Title		
<b>VOLTAGE CONTROLLED LFO</b>		
Size	Document Number	Rev
	<b>200-1029</b>	<b>A</b>
Date:	Sunday, October 19, 2003	Sheet 2 of 2

1: Revised: Saturday, August 23, 2003  
 2: Revision:  
 3:  
 4:  
 5:  
 6:  
 7:  
 8:  
 9:

10: Bill Of Materials August 23,2003 15:05:36 Page1

11:

12: Item Quantity Reference Part Part Number

13: \_\_\_\_\_

14:

15:	1	1	C1	.01uF		
16:	2	1	C2	.047uF		
17:	3	2	C3,C4	100pF		
18:	4	1	C5	150pF		
19:	5	1	C6	10uF		
20:	6	14	C7,C8,C9,C10,C11,C12,C13,	.1uF	80-C410C104M5U	
21:			C14,C15,C16,C17,C18,C19,			
22:			C20			
23:	7	1	D1	1N914		
24:	8	2	D2,D3	1N752A		
25:	9	4	J1,J2,J3,J4	PHONEJACK		
26:	10	1	P1	POWER		
27:	11	1	Q1	PNP		
28:	12	6	R1,R6,R24,R27,R29,R43	1K	271-1K	
29:	13	5	R2,R22,R25,R34,R36	100K	271-100K	
30:	14	14	R4,R5,R9,R10,R20,R21,R31,	10K	271-10K	
31:			R32,R33,R37,R38,R39,R40,			
32:			R42			
33:	15	3	R7,R11,R16	100K		
34:	16	1	R8	300	271-300	
35:	17	1	R13	10M		
36:	18	1	R14	POT		
37:	19	1	R15	4.99K	271-4.99K	
38:	20	2	R17,R19	20K	271-20K	
39:	21	1	R18	270	271-270	
40:	22	1	R23	2.2M	271-2.2M	
41:	23	1	R26	1K		
42:	24	1	R28	2.2M		
43:	25	1	R30	3K	271-3K	
44:	26	1	R41	100	271-100	
45:	27	1	R44	OPT		
46:	28	1	U1	74HC14		
47:	29	1	U2	DG201I		
48:	30	1	U3	CA3280E		
49:	31	5	U4,U5,U7,U8,U10	TL052		
50:	32	1	U6	THAT120		
51:	33	1	U9	LM4041-ADJ		

52: