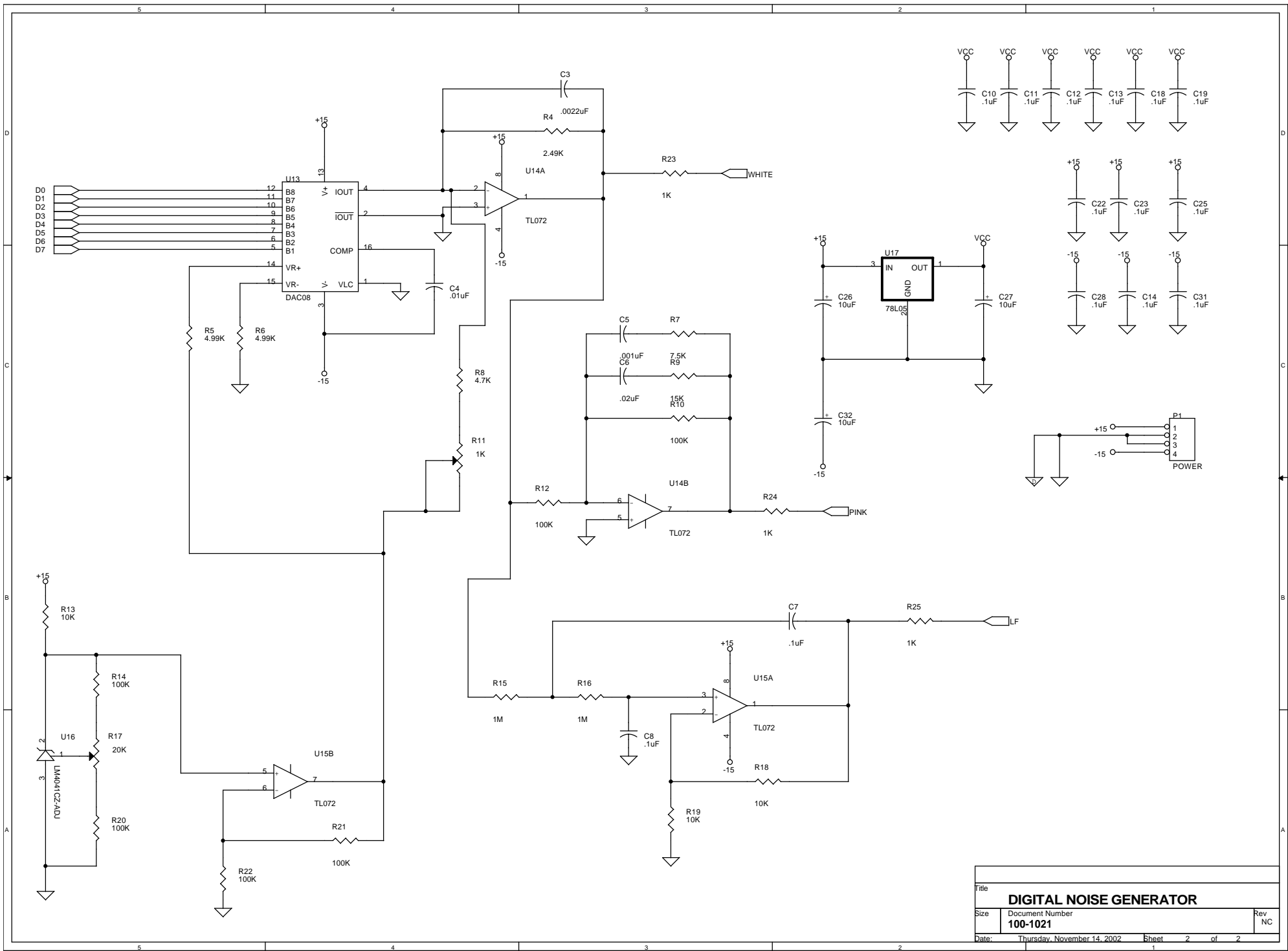


Title		
<b>Digital Noise Generator</b>		
Size	Document Number	Rev
	<b>200-1021</b>	NC
Date:	Thursday, November 14, 2002	Sheet 1 of 2



Title		
<b>DIGITAL NOISE GENERATOR</b>		
Size	Document Number	Rev
	<b>100-1021</b>	NC
Date:	Thursday, November 14, 2002	Sheet 2 of 2

1: Digital Noise Generator Revised: Thursday, November 14, 2002  
2: 200-1021 Revision: NC  
3:  
4:  
5:  
6:  
7:  
8:  
9:

10: Bill Of Materials September 18,2003 10:32:33 Page1

11:

12: Item Quantity Reference Part

13: \_\_\_\_\_

14:

15:	1	2	C1,C5	.001uF
16:	2	2	C2,C4	.01uF
17:	3	1	C3	.0022uF
18:	4	1	C6	.02uF
19:	5	14	C7,C8,C10,C11,C12,C13,	.1uF
20:			C14,C18,C19,C22,C23,C25,	
21:			C28,C31	
22:	6	3	C26,C27,C32	10uF
23:	7	4	D1,D2,D3,D4	1N914
24:	8	5	J1,J2,J3,J4,J5	PHONEJACK
25:	9	1	P1	POWER
26:	10	5	R1,R11,R23,R24,R25	1K
27:	11	4	R2,R13,R18,R19	10K
28:	12	7	R3,R10,R12,R14,R20,R21,	100K
29:			R22	
30:	13	1	R4	2.49K
31:	14	2	R6,R5	4.99K
32:	15	1	R7	7.5K
33:	16	1	R8	4.7K
34:	17	1	R9	15K
35:	18	2	R15,R16	1M
36:	19	1	R17	20K
37:	20	1	U1	74HC14
38:	21	4	U3,U6,U7,U9	74HC164
39:	22	1	U11	74HC86
40:	23	1	U13	DAC08
41:	24	2	U14,U15	TL072
42:	25	1	U16	LM4041CZ-ADJ
43:	26	1	U17	78L05
44:				