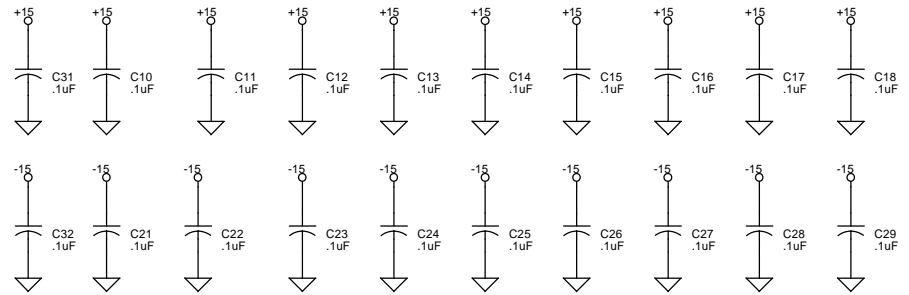
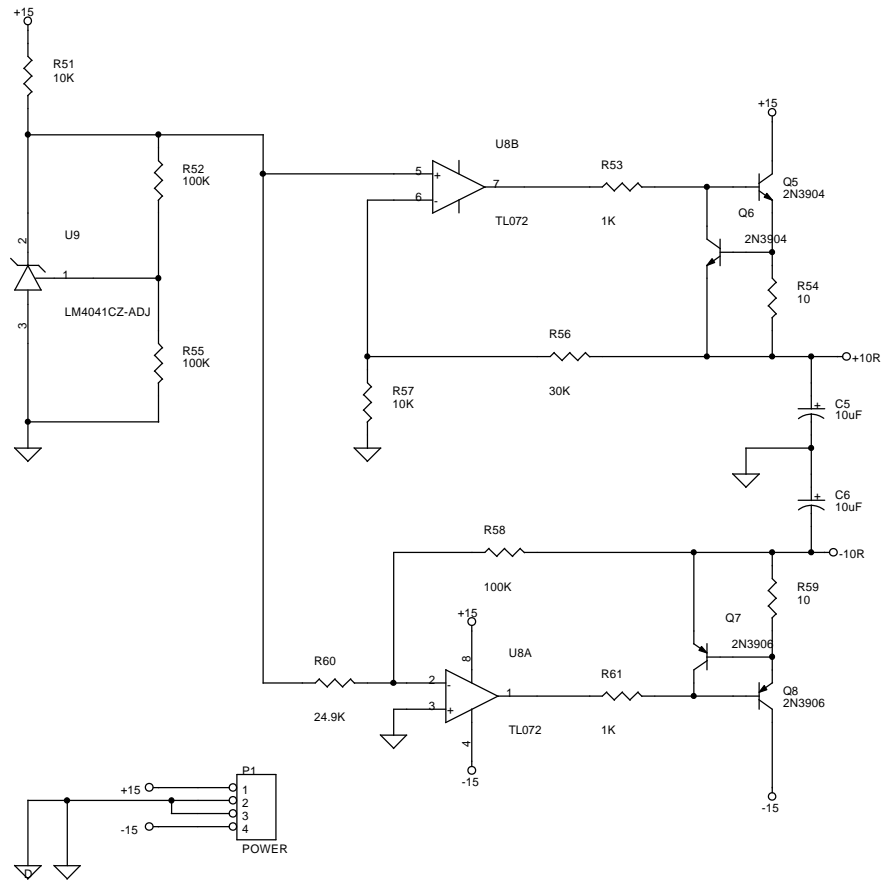


Title		
VOLTAGE CONTROLLED FILTER		
Size	Document Number	Rev
	200-1009	NC
Date:	Saturday, November 29, 2003	Sheet 1 of 2



Title		
VOLTAGE CONTROLLED FILTER		
Size	Document Number	Rev
	200-1XXX	NC
Date:	Monday, June 23, 2003	Sheet 2 of 2

1: VOLTAGE CONTROLLED FILTER Revised: Sunday, August 10, 2003
 2: 200-1009 Revision: NC
 3:
 4:
 5:
 6:
 7:
 8:
 9:

10: Bill Of Materials September 18,2003 10:27:24 Page1

11:	12: Item	Quantity	Reference	Part
13:	<hr/>			
14:				
15:	1	2	C2,C1	.001uF
16:	2	3	C3,C4,C30	100pF
17:	3	2	C5,C6	10uF
18:	4	20	C10,C11,C12,C13,C14,C15,	.1uF
19:			C16,C17,C18,C21,C22,C23,	
20:			C24,C25,C26,C27,C28,C29,	
21:			C31,C32	
22:	5	2	D2,D1	LED
23:	6	1	JP1	HEADER 5X2
24:	7	7	J1,J2,J3,J4,J5,J6,J7	PHONEJACK
25:	8	1	P1	POWER
26:	9	4	Q1,Q3,Q7,Q8	2N3906
27:	10	1	Q2	THAT120
28:	11	1	Q4	NTE43
29:	12	2	Q5,Q6	2N3904
30:	13	18	R1,R2,R3,R5,R6,R8,R9,R12,	10K
31:			R16,R17,R19,R21,R45,R49,	
32:			R51,R57,R64,R65	
33:	14	7	R4,R7,R14,R32,R43,R53,	1K
34:			R61	
35:	15	14	R10,R20,R25,R28,R29,R30,	100K
36:			R40,R41,R48,R52,R55,R58,	
37:			R62,R66	
38:	16	3	R11,R15,R63	49.9K
39:	17	1	R13	909
40:	18	1	R18	100
41:	19	1	R22	1.2K
42:	20	2	R23,R37	POT
43:	21	2	R44,R24	200K
44:	22	2	R39,R26	640K
45:	23	2	R67,R27	2.2M
46:	24	3	R31,R34,R42	20K
47:	25	1	R33	270
48:	26	1	R36	4.99K
49:	27	1	R38	15K
50:	28	1	R47	200
51:	29	1	R50	68K
52:	30	2	R54,R59	10
53:	31	1	R56	30K
54:	32	1	R60	24.9K
55:	33	2	U1,U4	CA3280E
56:	34	6	U2,U3,U5,U6,U7,U10	TL052
57:	35	1	U8	TL072
58:	36	1	U9	LM4041CZ-ADJ
59:				