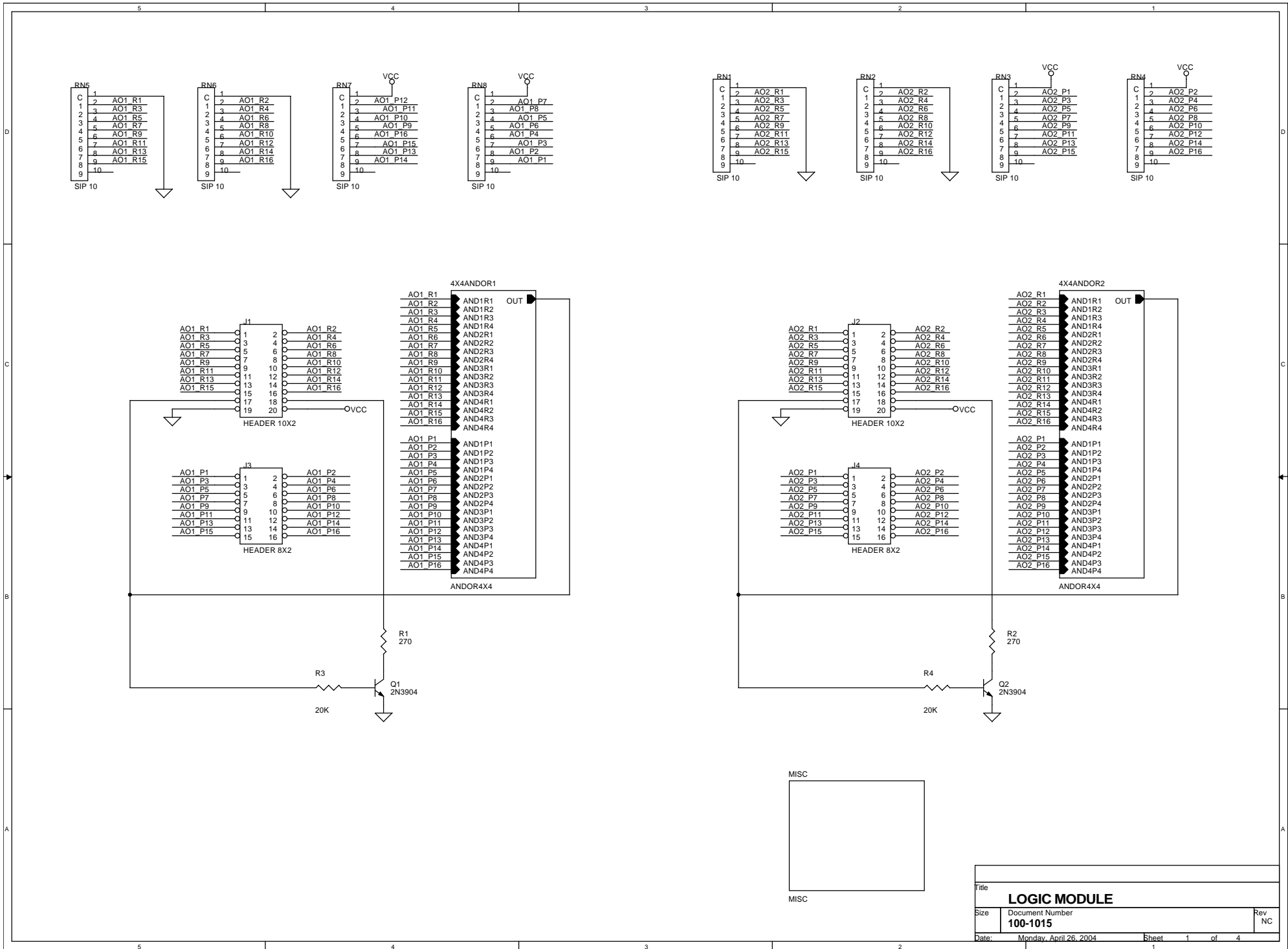
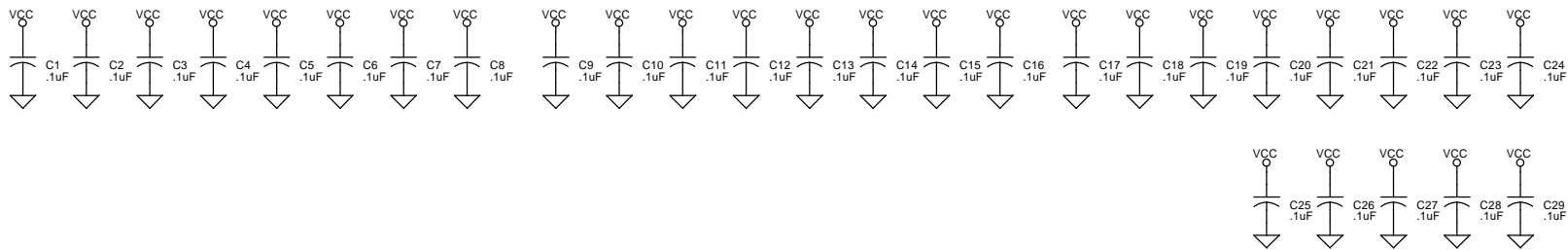
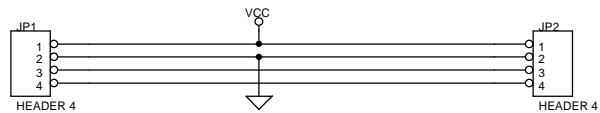


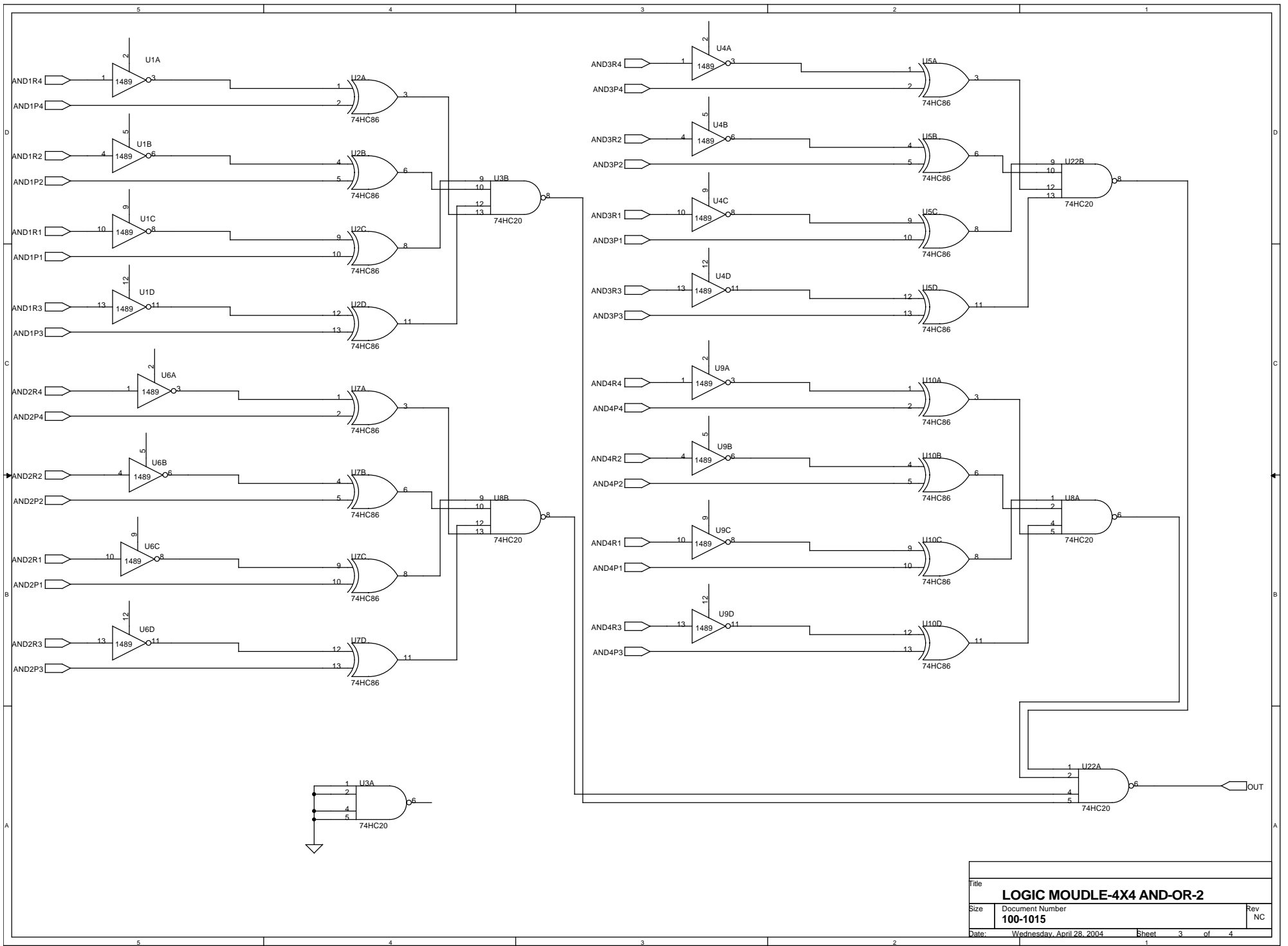
LOGIC MODULE



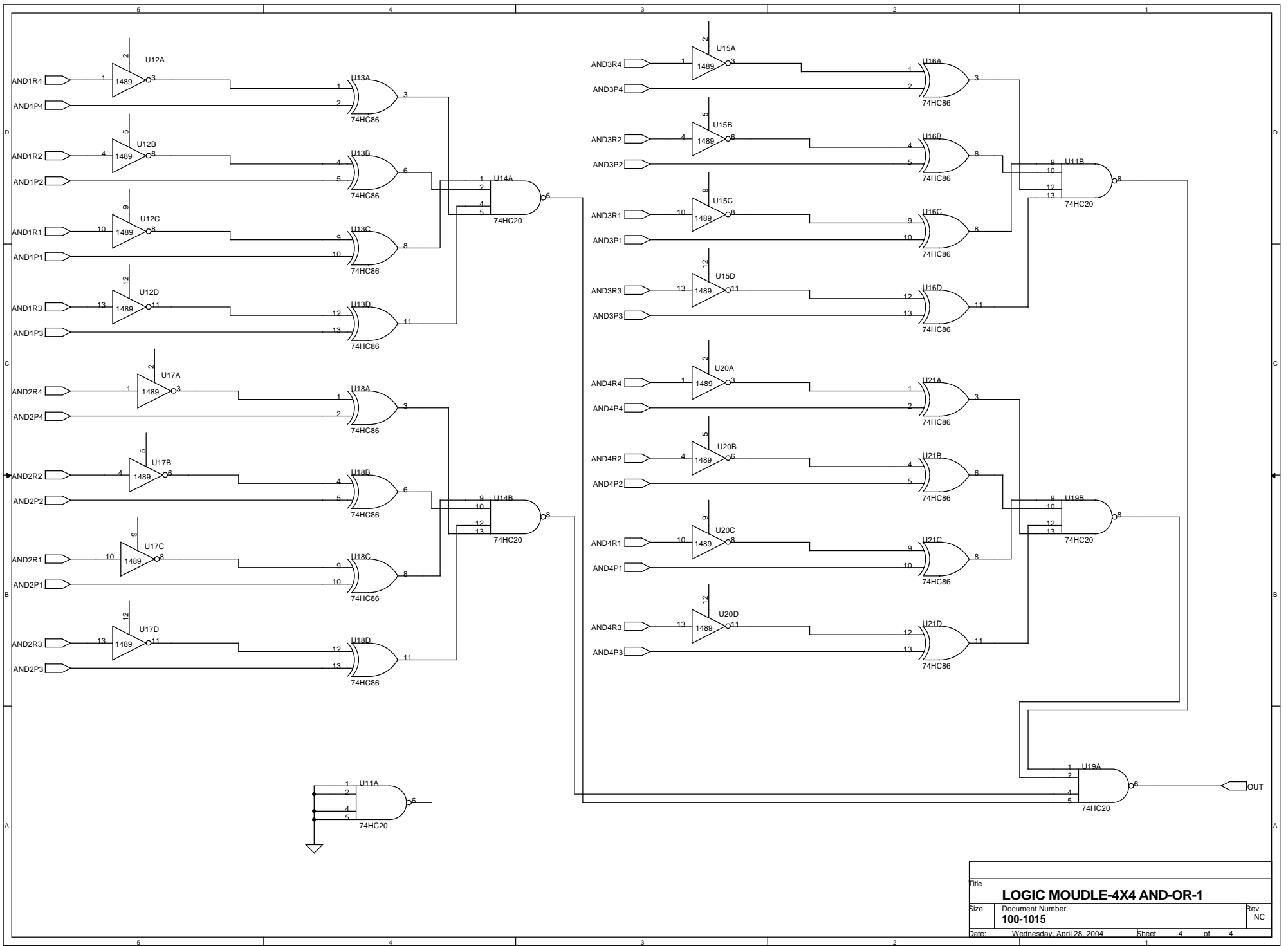
Title		
<b>LOGIC MODULE</b>		
Size	Document Number	Rev
	<b>100-1015</b>	NC
Date:	Monday, April 26, 2004	Sheet 1 of 4



Title		
<b>LOGIC MODULE-POWER SUPPLY</b>		
Size	Document Number	Rev
	100-1015	NC
Date:	Friday, January 10, 2003	Sheet 2 of 4



Title		
<b>LOGIC MOUDLE-4X4 AND-OR-2</b>		
Size	Document Number	Rev
	<b>100-1015</b>	<b>NC</b>
Date:	Wednesday, April 28, 2004	Sheet 3 of 4



Title		
<b>LOGIC MOUDLE-4X4 AND-OR-1</b>		
Size	Document Number	Rev
	<b>100-1015</b>	NC
Date:	Wednesday, April 28, 2004	Sheet 4 of 4

1: LOGIC MODULE Revised: Monday, April 26, 2004

2: 100-1015 Revision: NC

3:

4:

5:

6:

7:

8:

9:

10: Bill Of Materials July 3,2004 13:22:51 Page1

11:

12: Item Quantity Reference Part

13: \_\_\_\_\_

14:

15: 1 29 C1,C2,C3,C4,C5,C6,C7,C8, .1uF

16: C9,C10,C11,C12,C13,C14,

17: C15,C16,C17,C18,C19,C20,

18: C21,C22,C23,C24,C25,C26,

19: C27,C28,C29

20: 2 2 JP2,JP1 HEADER 4

21: 3 2 J1,J2 HEADER 10X2

22: 4 2 J3,J4 HEADER 8X2

23: 5 2 Q1,Q2 2N3904

24: 6 8 RN1,RN2,RN3,RN4,RN5,RN6, SIP 10

25: RN7,RN8

26: 7 2 R1,R2 270

27: 8 2 R4,R3 20K

28: 9 8 U1,U4,U6,U9,U12,U15,U17, 1489

29: U20

30: 10 8 U2,U5,U7,U10,U13,U16,U18, 74HC86

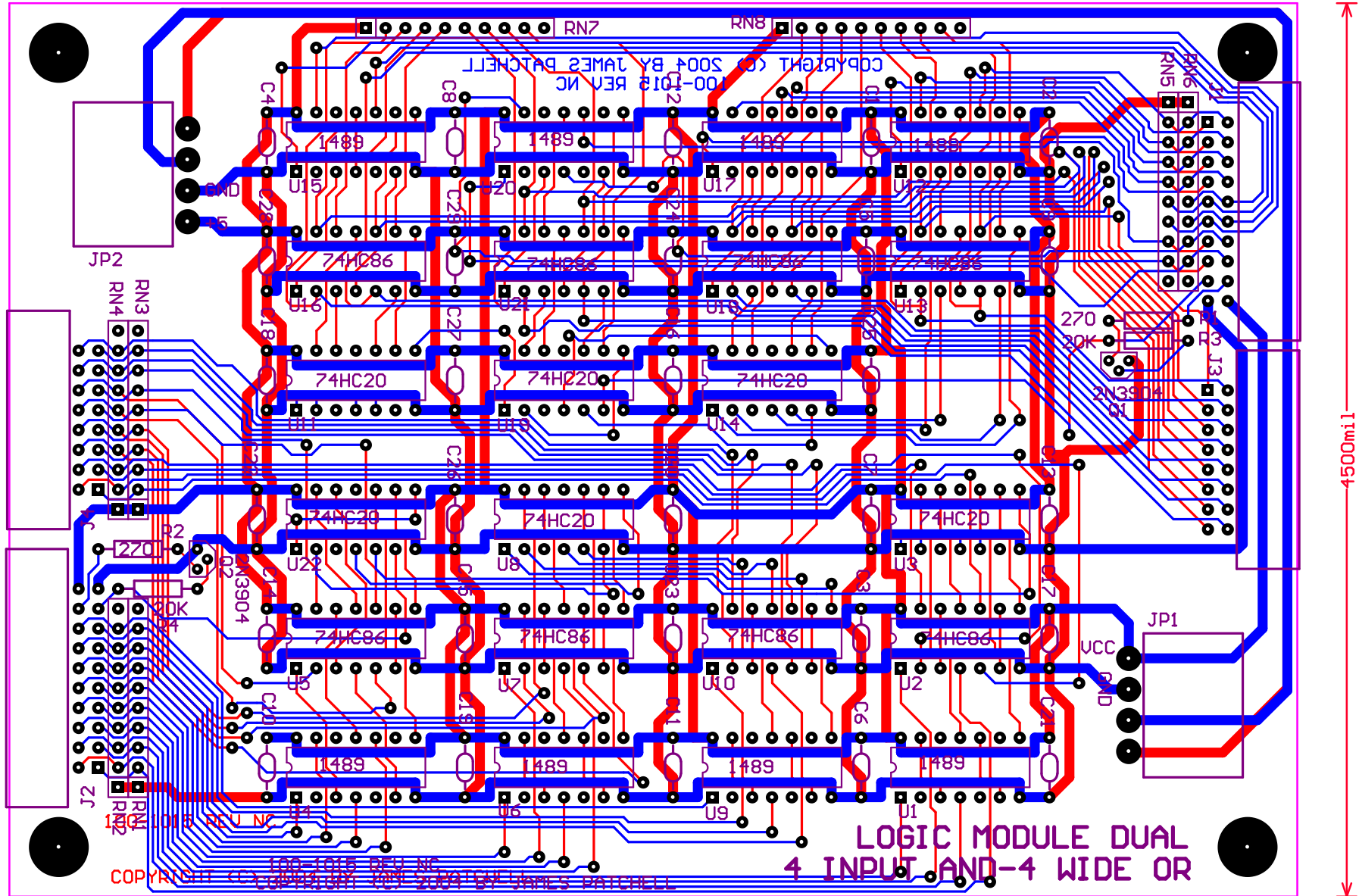
31: U21

32: 11 6 U3,U8,U11,U14,U19,U22 74HC20

33:

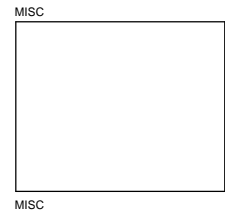
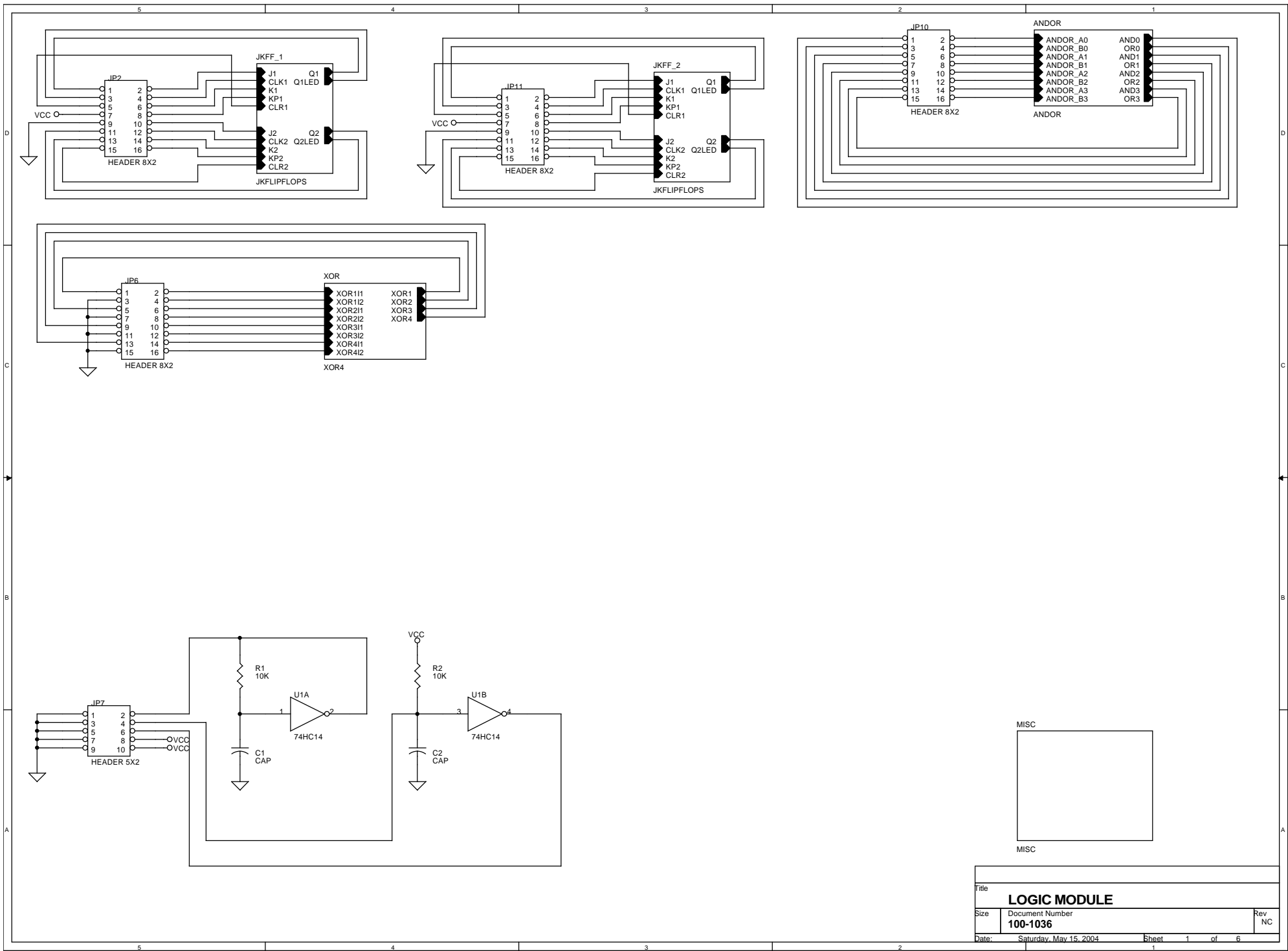
100-1015-06 REV NC FAB DRAWING  
100-1015-05 REV NC LEGEND COMPONENT SIDE

100-1015-02 REV NC COMPONENT SIDE  
100-1015-01 REV NC CIRCUIT SIDE



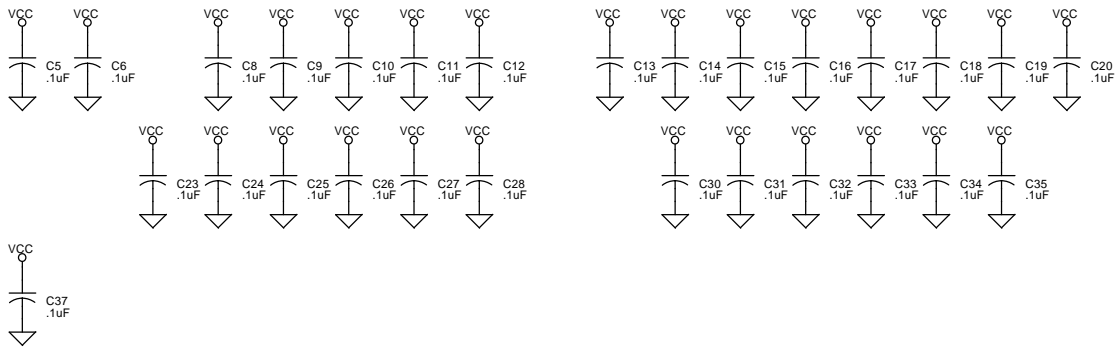
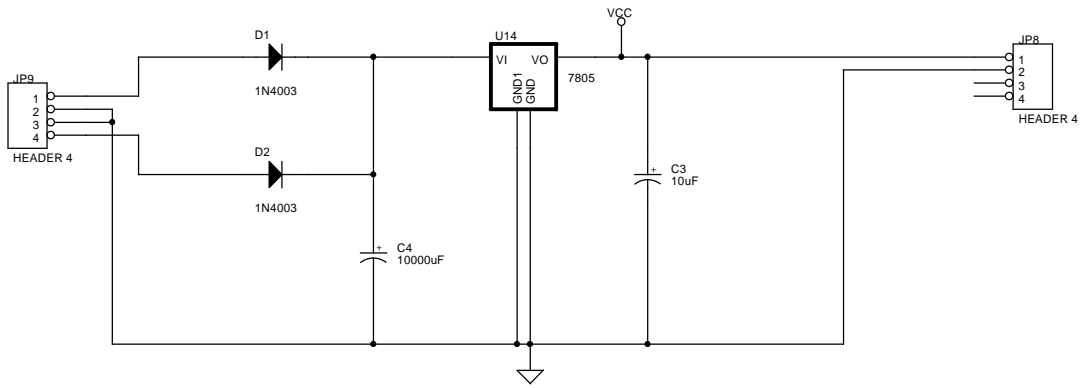
6500mil

4500mil

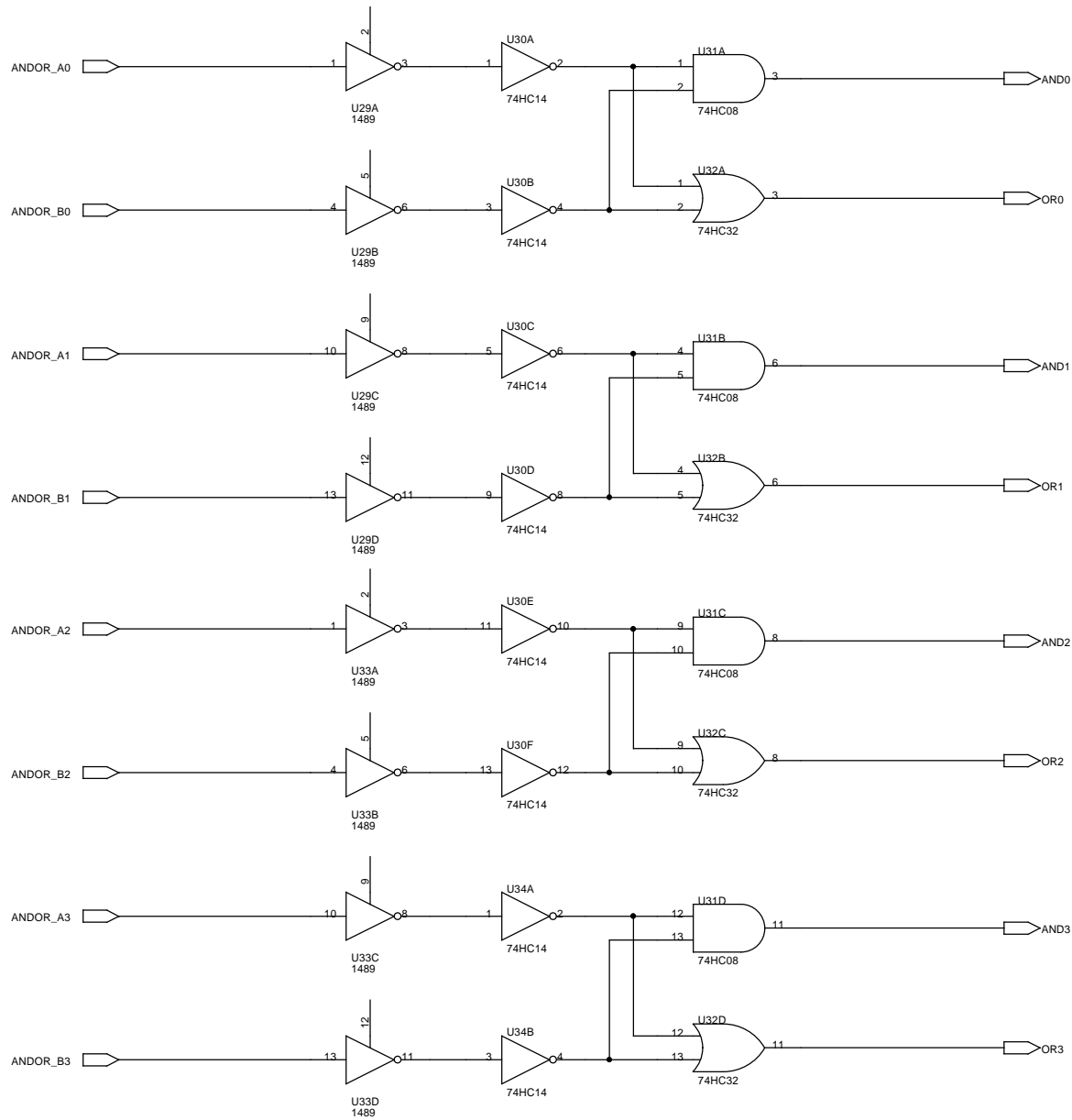


Title		
<b>LOGIC MODULE</b>		
Size	Document Number	Rev
	<b>100-1036</b>	NC
Date:	Saturday, May 15, 2004	Sheet 1 of 6

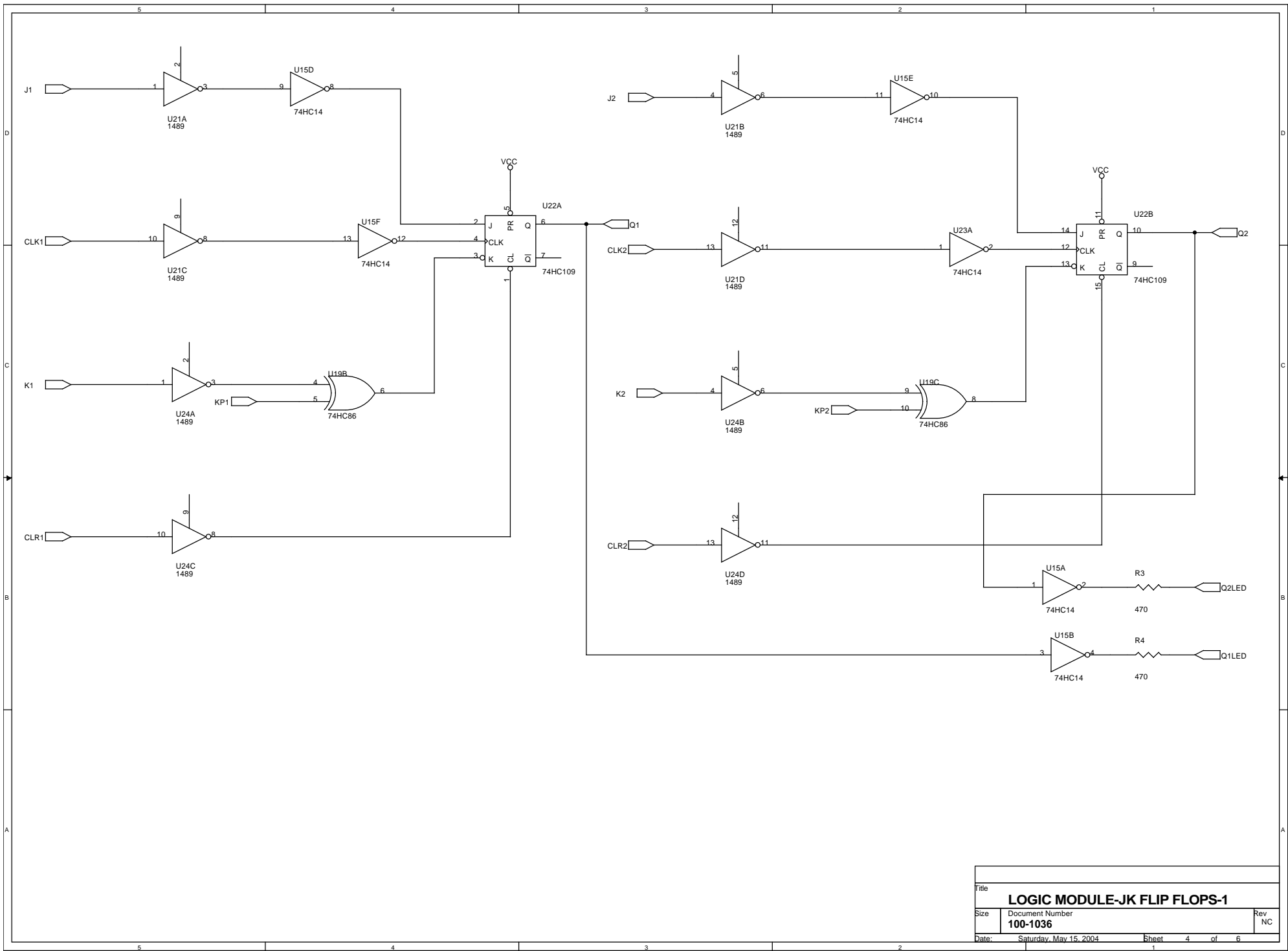




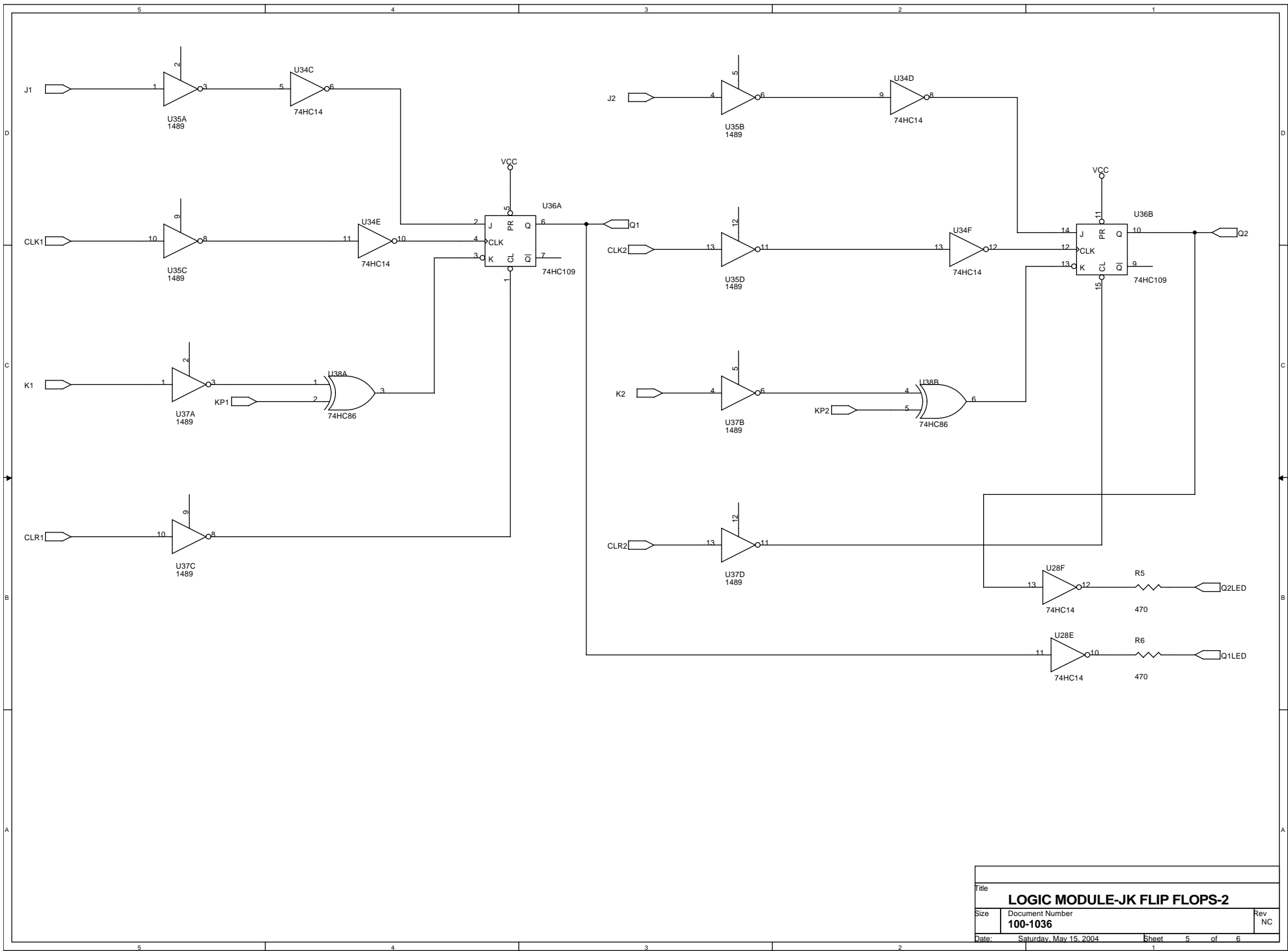
Title		
<b>LOGIC MODULE-POWER SUPPLY</b>		
Size	Document Number	Rev
	<b>100-1036</b>	NC
Date:	Saturday, May 15, 2004	Sheet 2 of 6



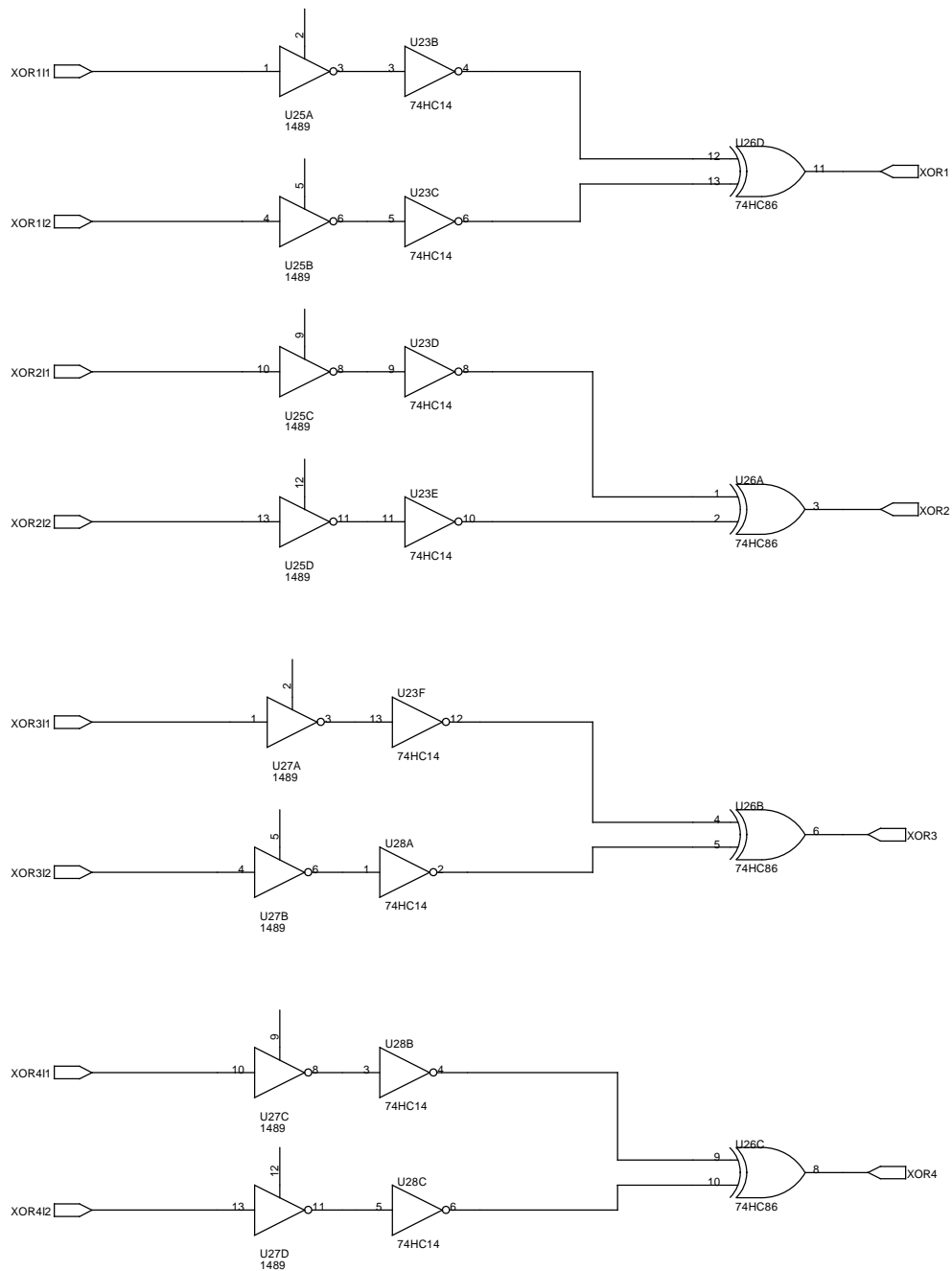
Title		
<b>AND/OR LOGIC</b>		
Size	Document Number	Rev
	<b>100-1036</b>	<b>NC</b>
Date:	Sunday, May 16, 2004	Sheet 3 of 6



Title		
<b>LOGIC MODULE-JK FLIP FLOPS-1</b>		
Size	Document Number	Rev
	<b>100-1036</b>	NC
Date:	Saturday, May 15, 2004	Sheet 4 of 6



Title		
<b>LOGIC MODULE-JK FLIP FLOPS-2</b>		
Size	Document Number	Rev
	<b>100-1036</b>	NC
Date:	Saturday, May 15, 2004	Sheet 5 of 6



Title		
<b>LOGIC MODULE-QUAD XOR</b>		
Size	Document Number	Rev
	<b>100-1036</b>	NC
Date:	Saturday, May 15, 2004	Sheet 6 of 6

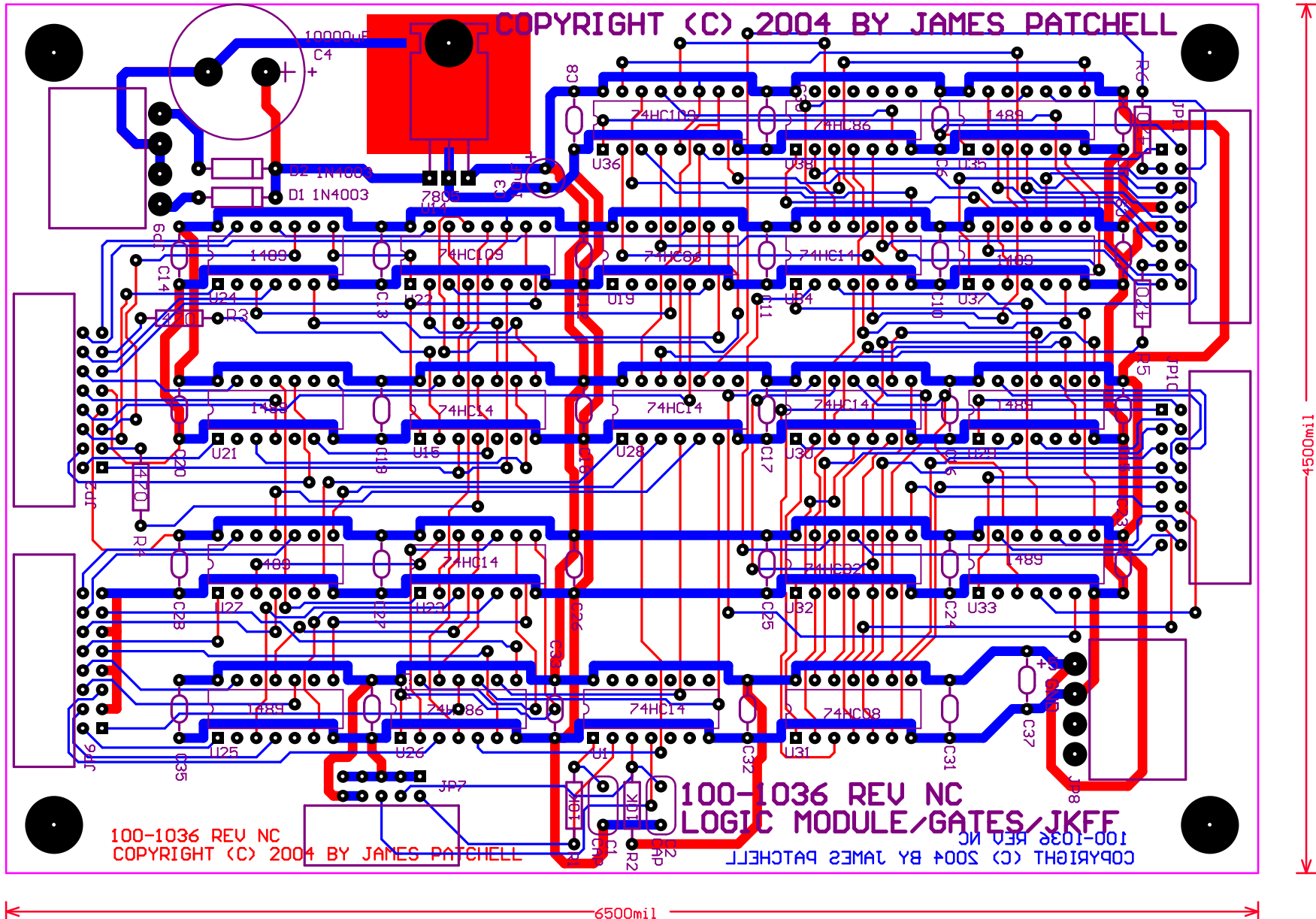
1: LOGIC MODULE Revised: Saturday, May 15, 2004  
2: 100-1036 Revision: NC  
3:  
4:  
5:  
6:  
7:  
8:  
9:

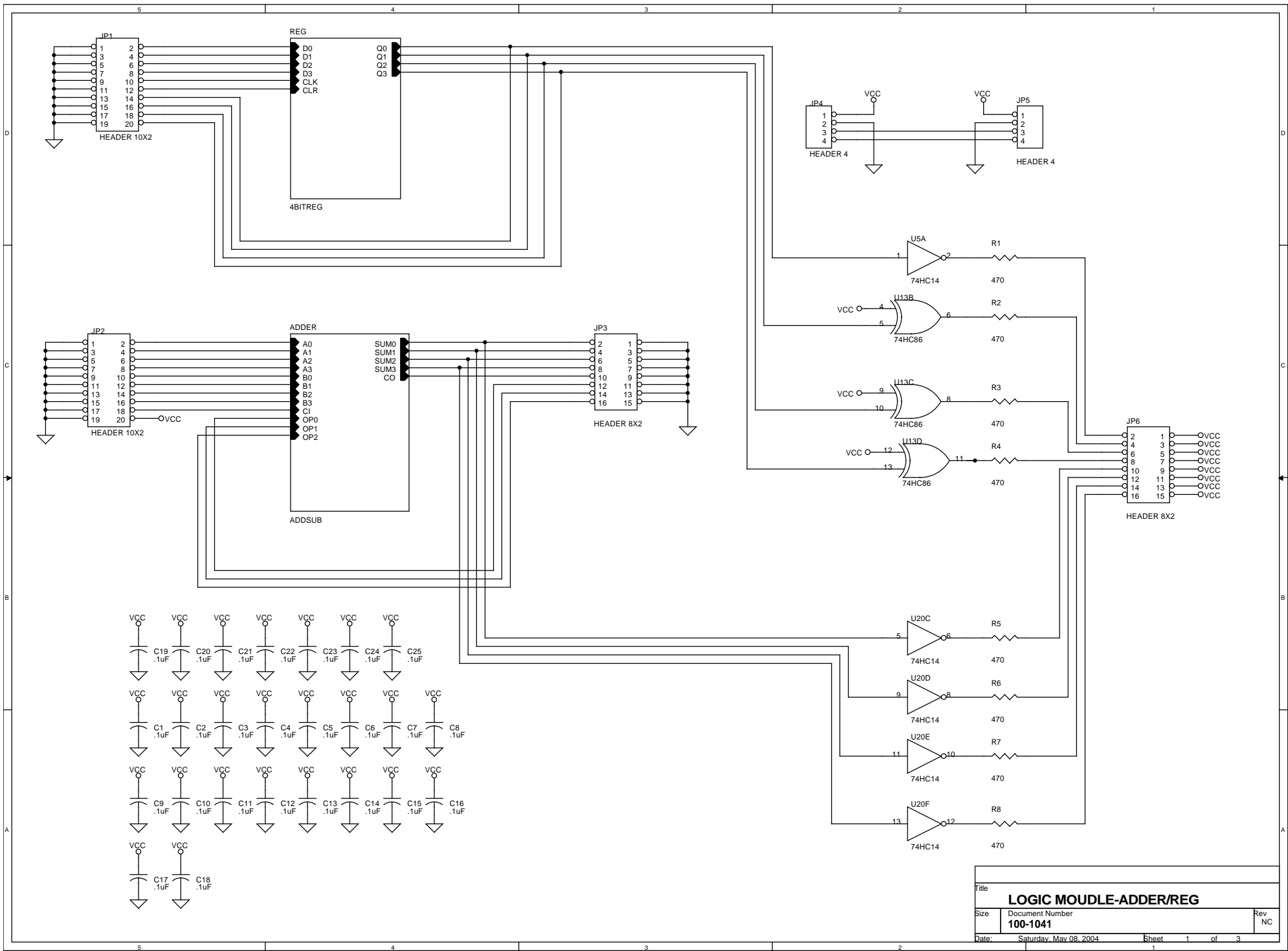
10: Bill Of Materials July 3,2004 12:46:09 Page1

11:  
12: Item Quantity Reference Part  
13: \_\_\_\_\_  
14:  
15: 1 2 C2,C1 CAP  
16: 2 1 C3 10uF  
17: 3 1 C4 10000uF  
18: 4 28 C5,C6,C8,C9,C10,C11,C12, .1uF  
19: C13,C14,C15,C16,C17,C18,  
20: C19,C20,C23,C24,C25,C26,  
21: C27,C28,C30,C31,C32,C33,  
22: C34,C35,C37  
23: 5 2 D2,D1 1N4003  
24: 6 4 JP2,JP6,JP10,JP11 HEADER 8X2  
25: 7 1 JP7 HEADER 5X2  
26: 8 2 JP8,JP9 HEADER 4  
27: 9 2 R1,R2 10K  
28: 10 4 R3,R4,R5,R6 470  
29: 11 6 U1,U15,U23,U28,U30,U34 74HC14  
30: 12 1 U14 7805  
31: 13 3 U19,U26,U38 74HC86  
32: 14 8 U21,U24,U25,U27,U29,U33, 1489  
33: U35,U37  
34: 15 2 U22,U36 74HC109  
35: 16 1 U31 74HC08  
36: 17 1 U32 74HC32  
37:

100-1036-06 REV NC FAB DRAWING  
100-1036-05 REV NC COMPONENT SIDE LEGEND

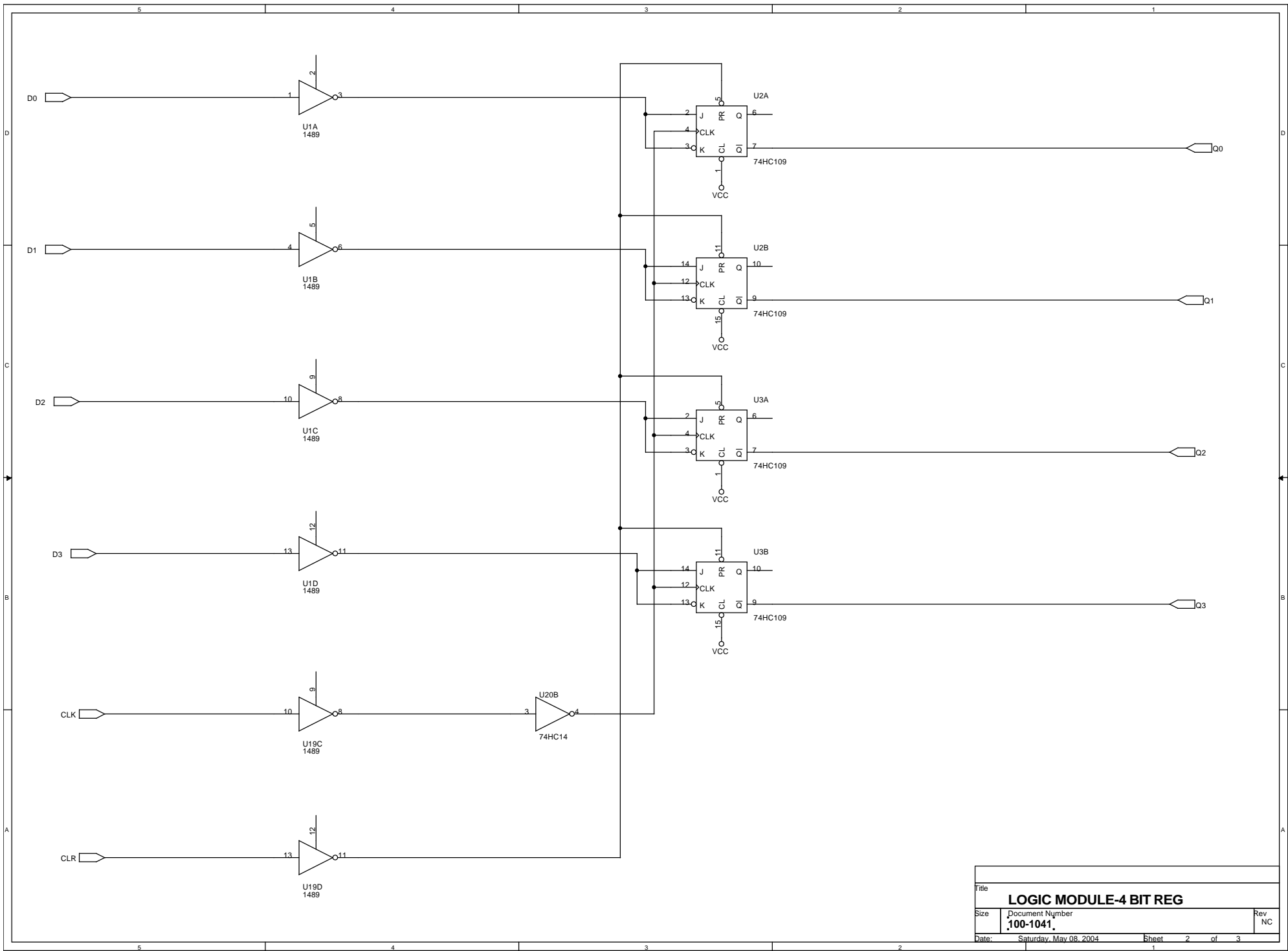
100-1036-02 REV NC COMPONENT SIDE  
100-1036-01 REV NC CIRCUIT SIDE



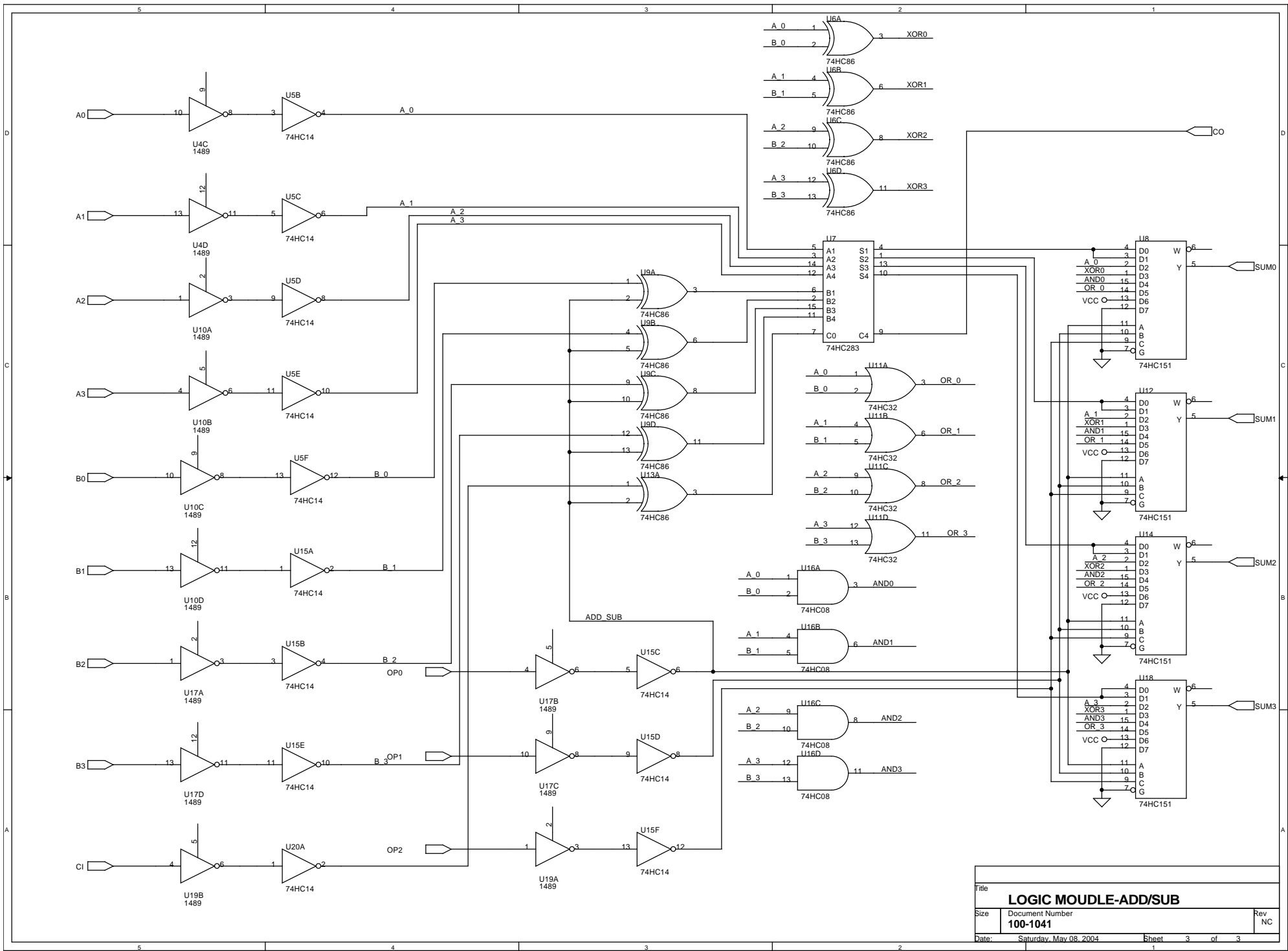


Title		
<b>LOGIC MOUDLE-ADDER/REG</b>		
Size	Document Number	Rev
	<b>100-1041</b>	NC
Date:	Saturday, May 08, 2004	Sheet 1 of 3





Title		
<b>LOGIC MODULE-4 BIT REG</b>		
Size	Document Number	Rev
	<b>100-1041</b>	NC
Date:	Saturday, May 08, 2004	Sheet 2 of 3



Title		
<b>LOGIC MOUDLE-ADD/SUB</b>		
Size	Document Number	Rev
	<b>100-1041</b>	NC
Date:	Saturday, May 08, 2004	Sheet 3 of 3

1: Revised: Saturday, May 08, 2004

2: Revision:

3:

4:

5:

6:

7:

8:

9:

10: Bill Of Materials July 3,2004 13:18:20 Page1

11:

12: Item Quantity Reference Part

13: \_\_\_\_\_

14:

15: 1 25 C1,C2,C3,C4,C5,C6,C7,C8, .1uF

16: C9,C10,C11,C12,C13,C14,

17: C15,C16,C17,C18,C19,C20,

18: C21,C22,C23,C24,C25

19: 2 2 JP1,JP2 HEADER 10X2

20: 3 2 JP6,JP3 HEADER 8X2

21: 4 2 JP5,JP4 HEADER 4

22: 5 8 R1,R2,R3,R4,R5,R6,R7,R8 470

23: 6 5 U1,U4,U10,U17,U19 1489

24: 7 2 U2,U3 74HC109

25: 8 3 U5,U15,U20 74HC14

26: 9 3 U6,U9,U13 74HC86

27: 10 1 U7 74HC283

28: 11 4 U8,U12,U14,U18 74HC151

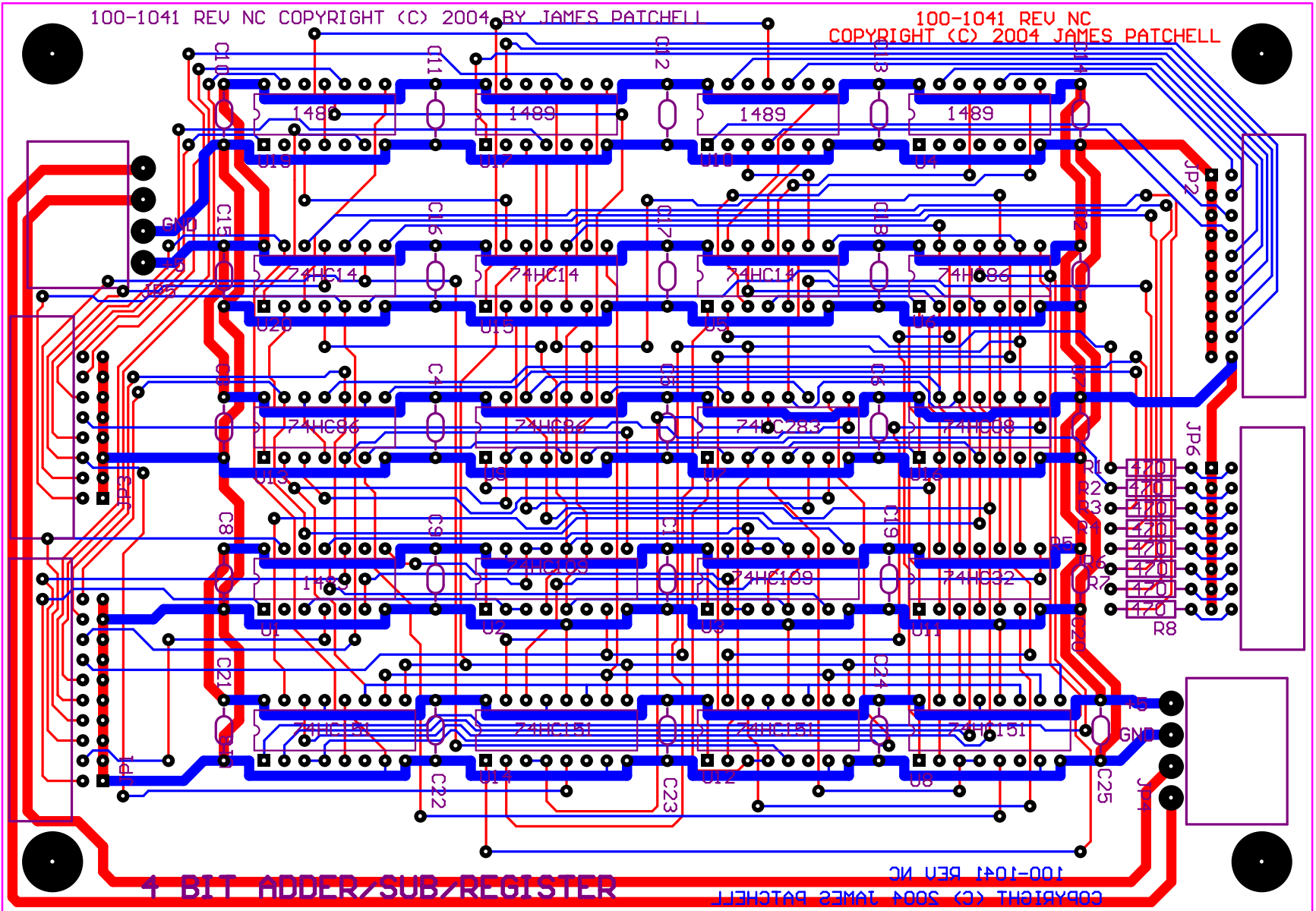
29: 12 1 U11 74HC32

30: 13 1 U16 74HC08

31:

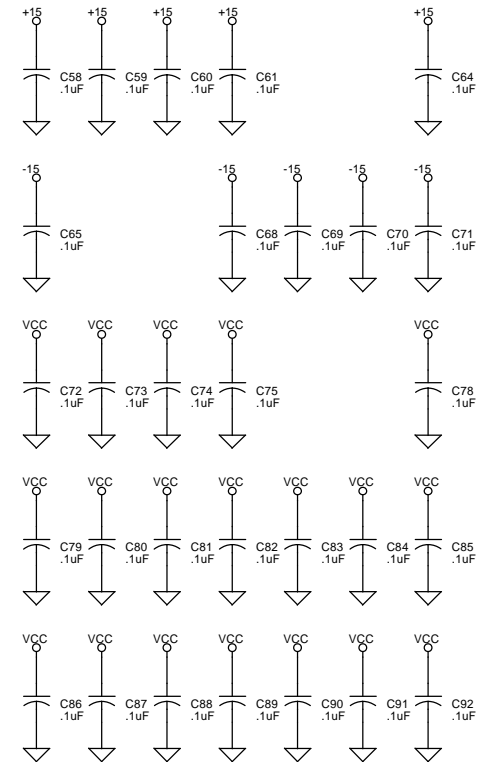
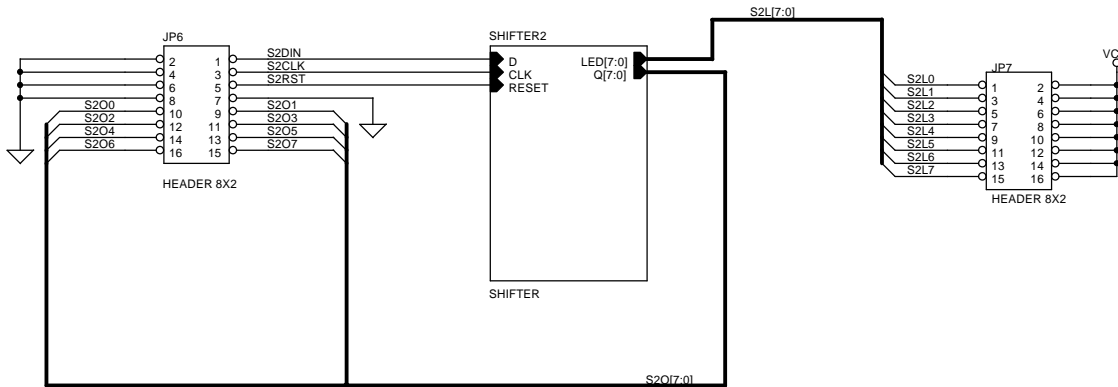
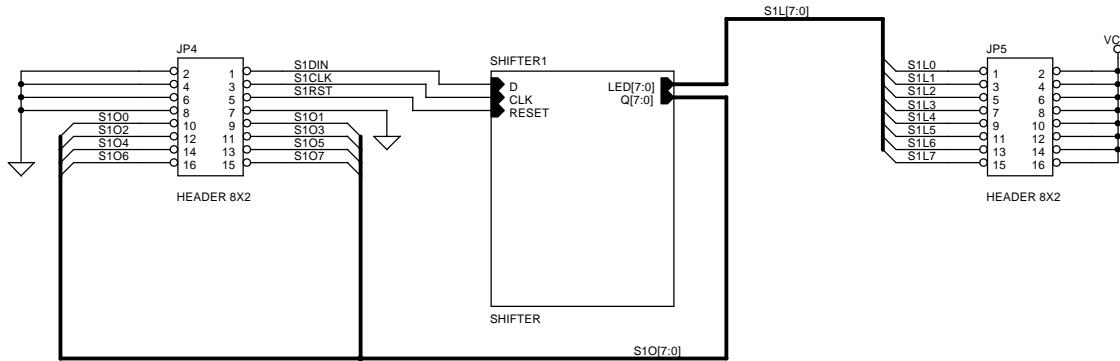
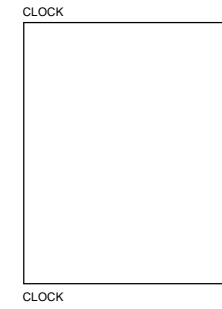
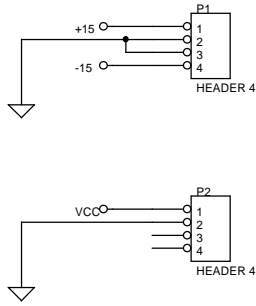
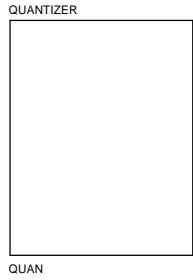
100-1041-06 REV NC FAB DRAWING  
100-1041-05 REV NC COMPONENT LEGEND

100-1041-02 REV NC COMPONENT SIDE  
100-1041-01 REV NC CIRCUIT SIDE

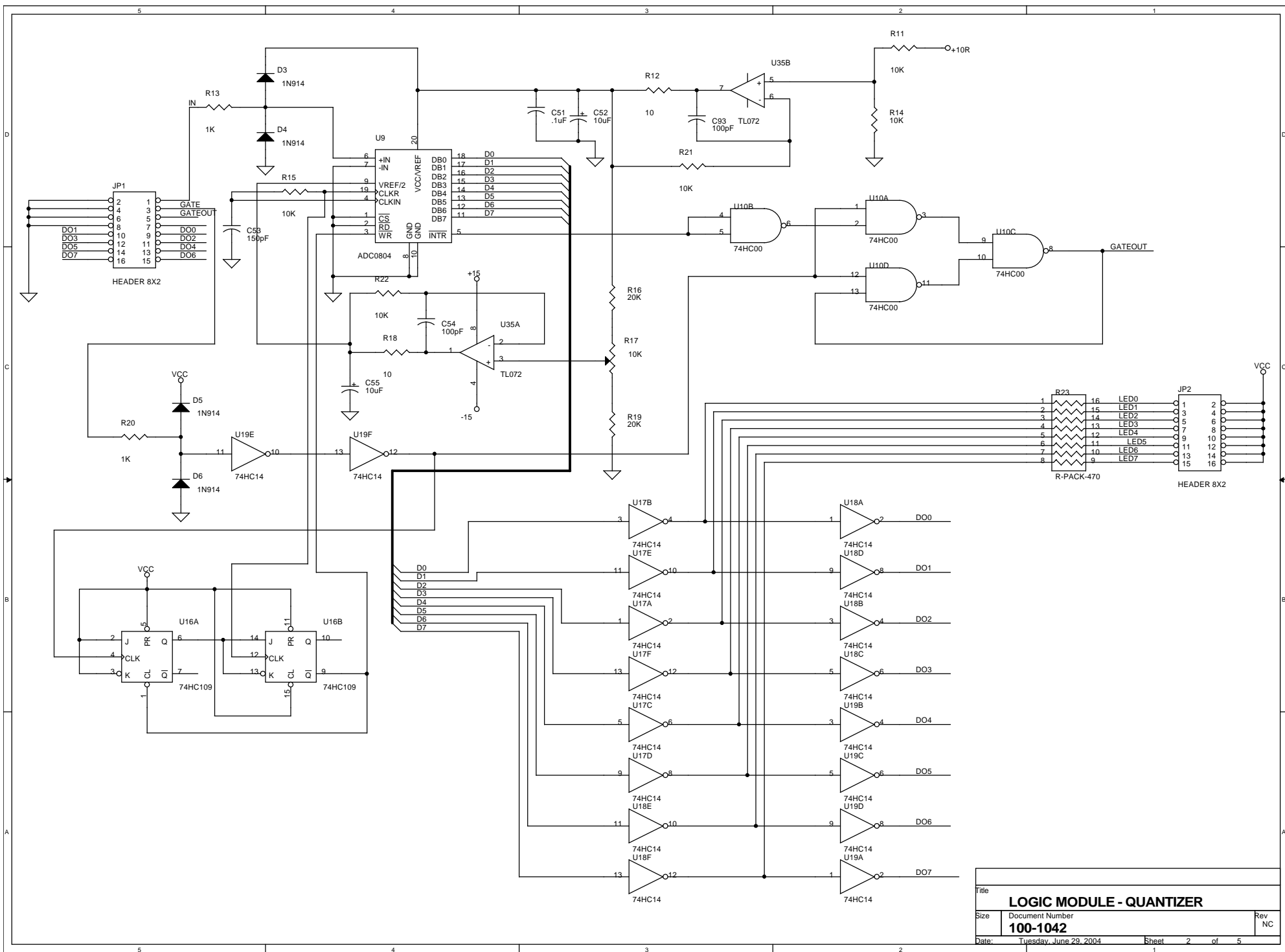


6500mil

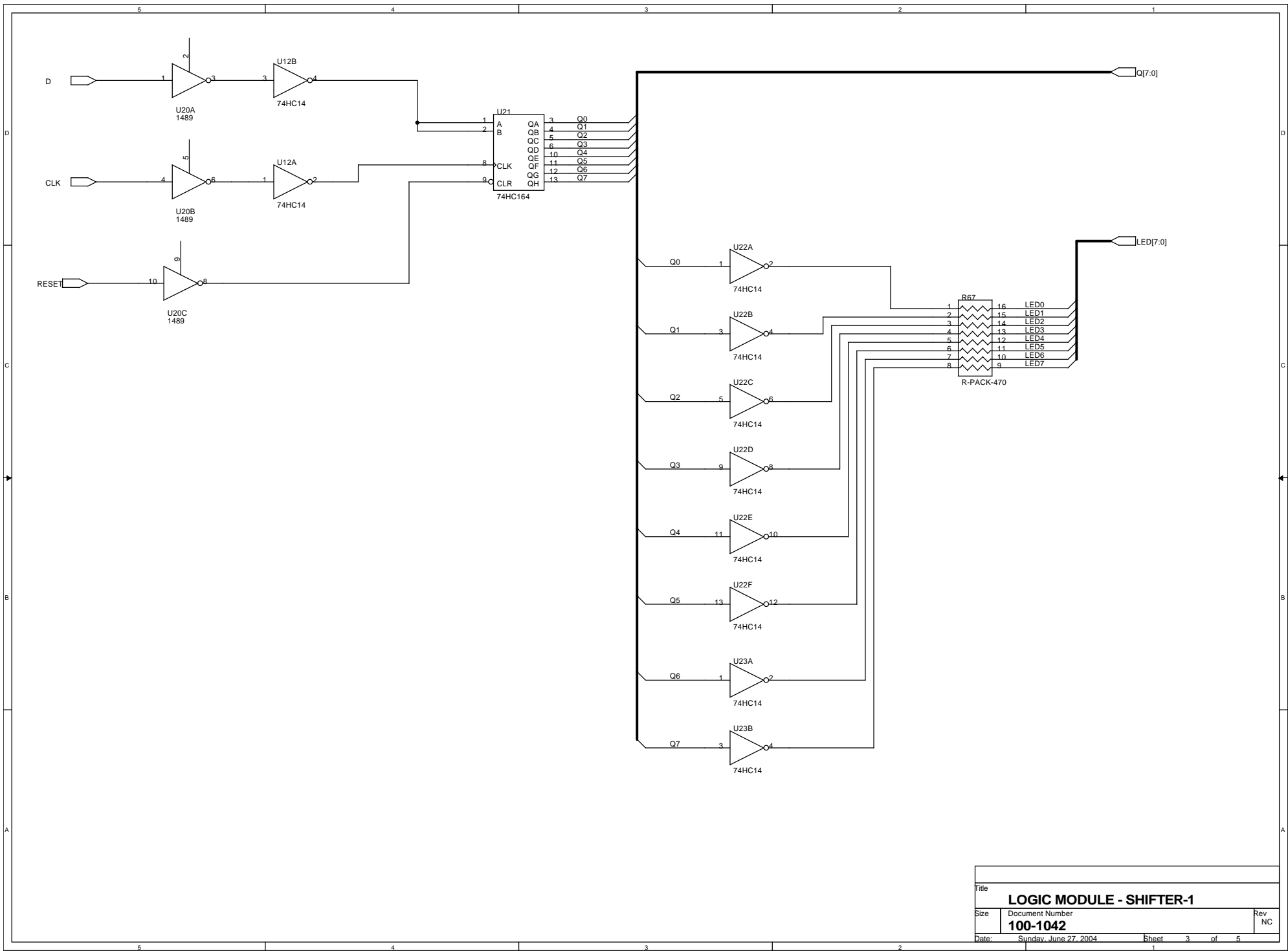
4500mil



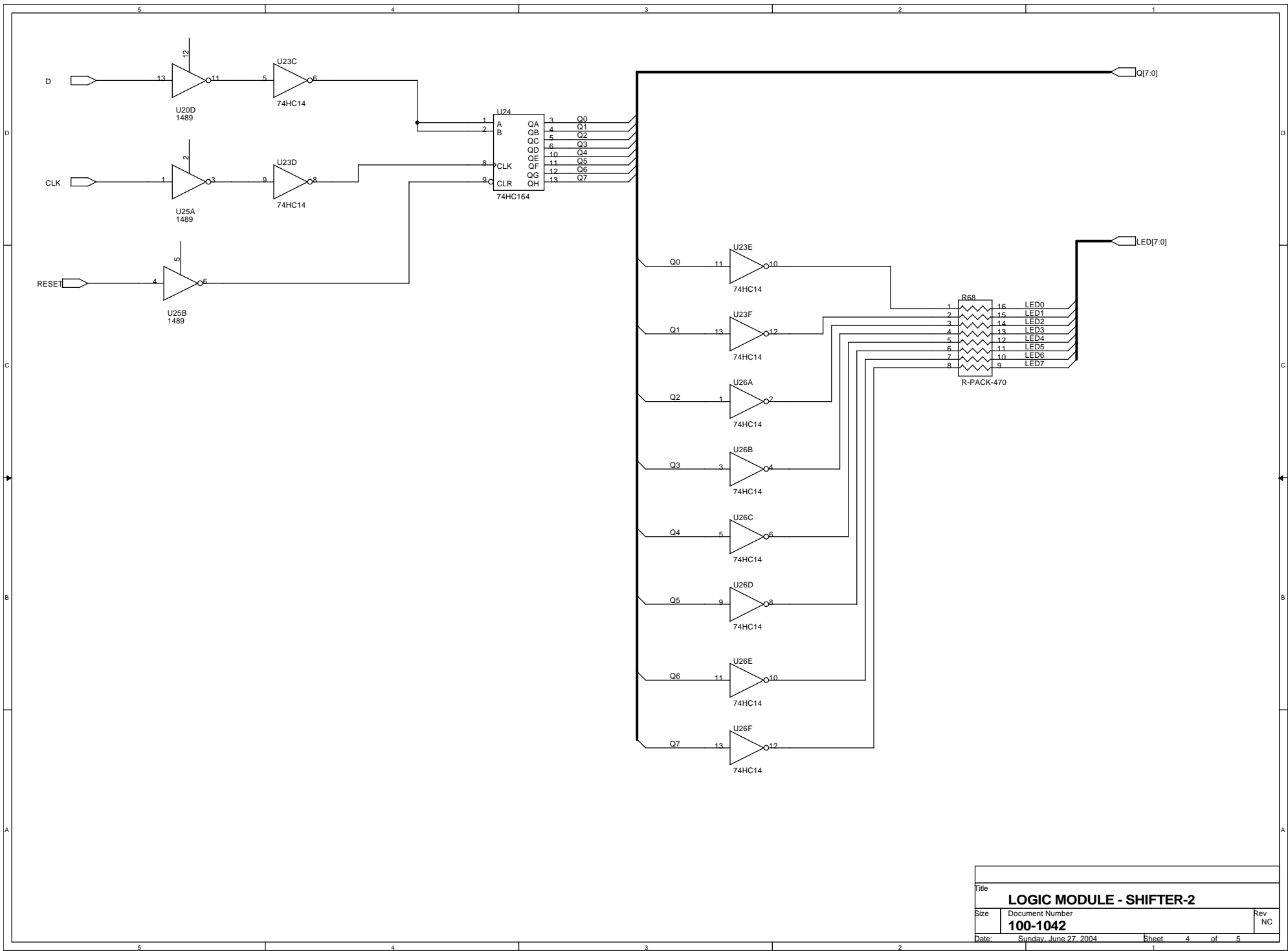
Title		
<b>LOGIC MODULE</b>		
Size	Document Number	Rev
	<b>100-1042</b>	NC
Date:	Tuesday, June 29, 2004	Sheet 1 of 5



Title		
<b>LOGIC MODULE - QUANTIZER</b>		
Size	Document Number	Rev
	<b>100-1042</b>	NC
Date:	Tuesday, June 29, 2004	Sheet 2 of 5

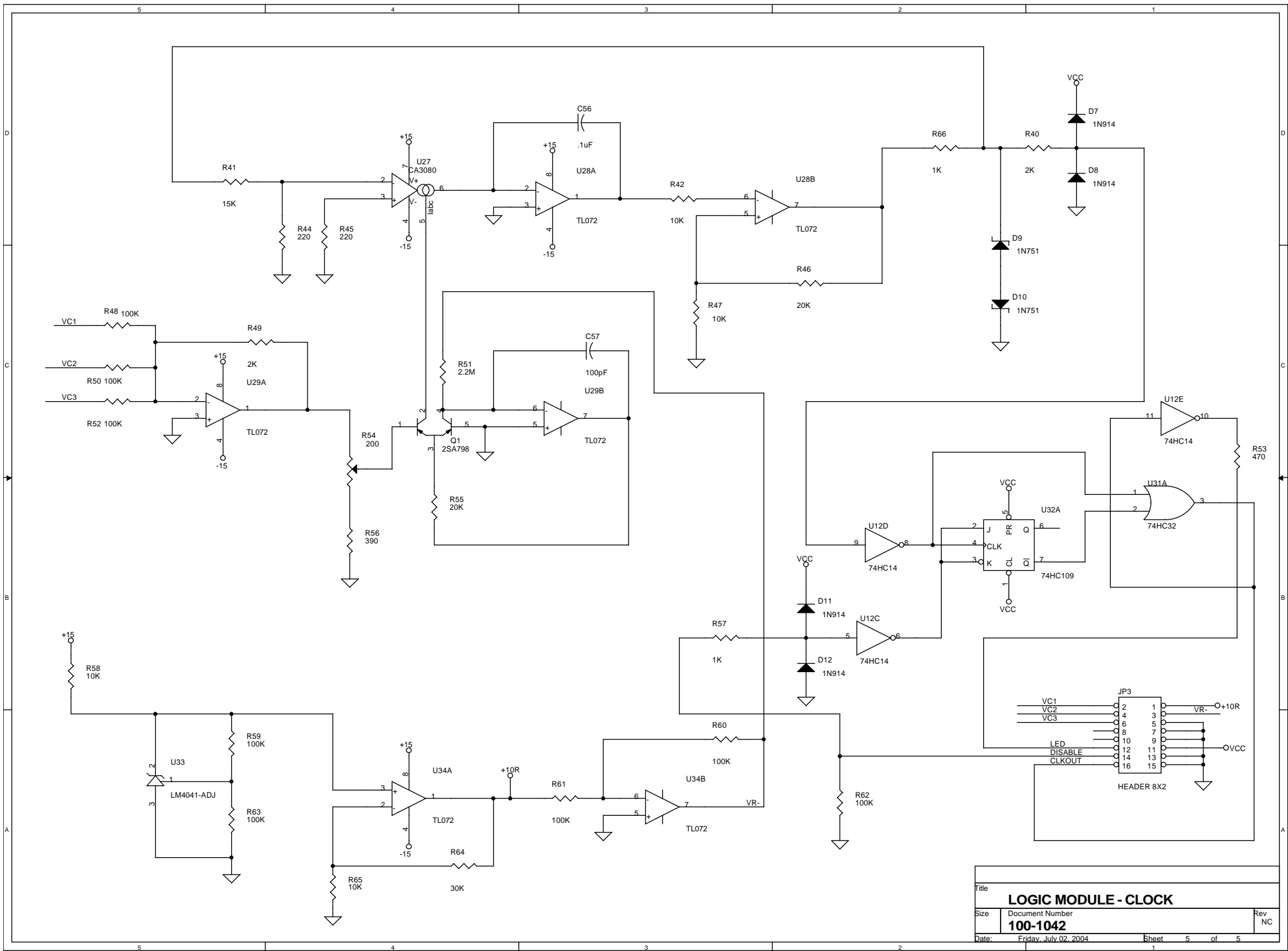


Title		
<b>LOGIC MODULE - SHIFTER-1</b>		
Size	Document Number	Rev
	<b>100-1042</b>	NC
Date:	Sunday, June 27, 2004	Sheet 3 of 5



Title		
<b>LOGIC MODULE - SHIFTER-2</b>		
Size	Document Number	Rev
	<b>100-1042</b>	NC
Date:	Sunday, June 27, 2004	Sheet 4 of 5





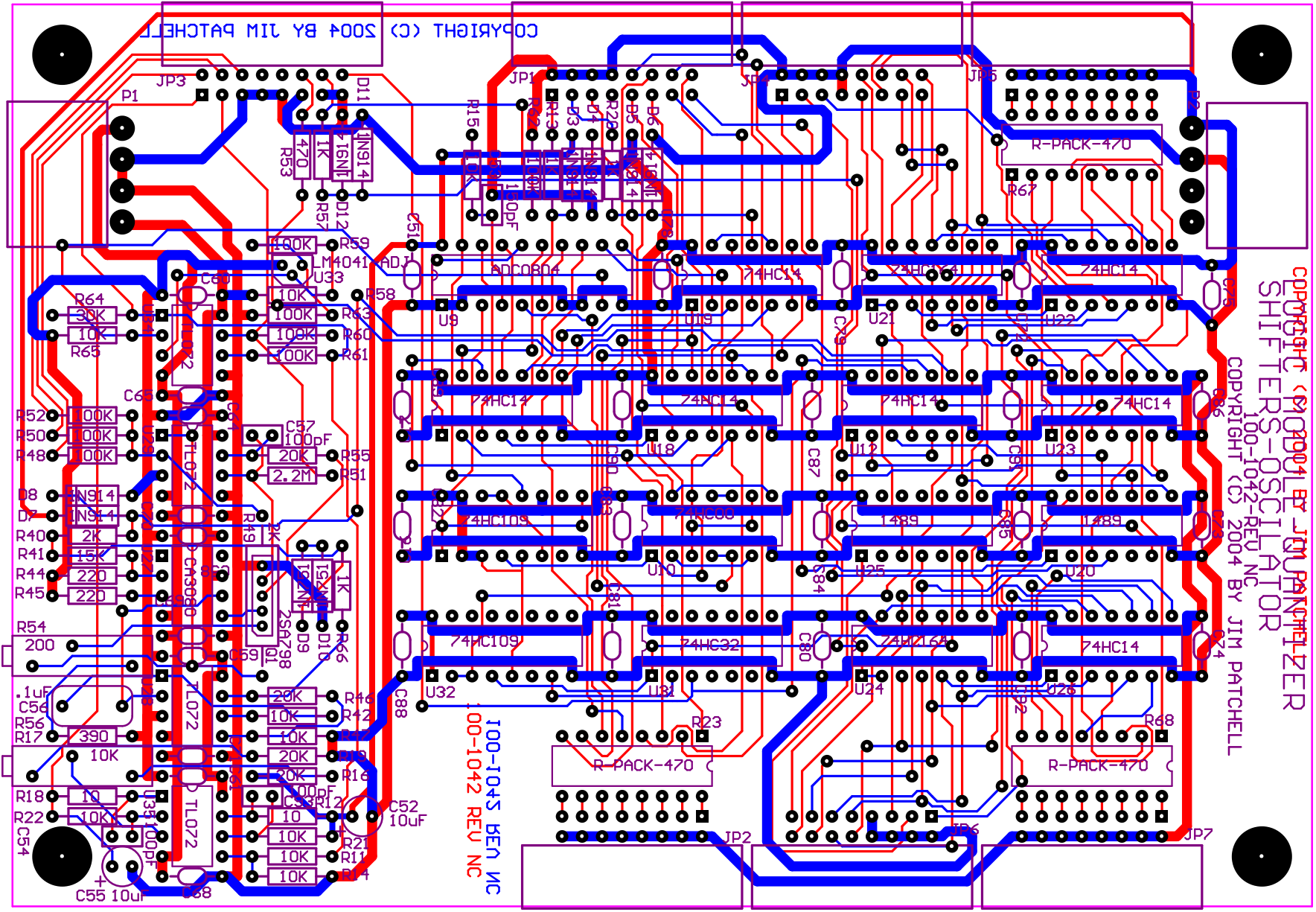
Title		
<b>LOGIC MODULE - CLOCK</b>		
Size	Document Number	Rev
	<b>100-1042</b>	NC
Date:	Friday, July 02, 2004	Sheet 5 of 5

1: Revised: Tuesday, June 29, 2004  
 2: Revision:  
 3:  
 4:  
 5:  
 6:  
 7:  
 8:  
 9:

10: Bill Of Materials July 3,2004 12:41:27 Page1

11:

12: Item	Quantity	Reference	Part
13:			
14:			
15: 1	31	C51,C56,C58,C59,C60,C61, C64,C65,C68,C69,C70,C71, C72,C73,C74,C75,C78,C79, C80,C81,C82,C83,C84,C85, C86,C87,C88,C89,C90,C91, C92	.1uF
21: 2	2	C55,C52	10uF
22: 3	1	C53	150pF
23: 4	3	C54,C57,C93	100pF
24: 5	8	D3,D4,D5,D6,D7,D8,D11, D12	1N914
26: 6	2	D9,D10	1N751
27: 7	7	JP1,JP2,JP3,JP4,JP5,JP6, JP7	HEADER 8X2
29: 8	2	P2,P1	HEADER 4
30: 9	1	Q1	2SA798
31: 10	10	R11,R14,R15,R17,R21,R22, R42,R47,R58,R65	10K
33: 11	2	R18,R12	10
34: 12	4	R13,R20,R57,R66	1K
35: 13	4	R16,R19,R46,R55	20K
36: 14	3	R23,R67,R68	R-PACK-470
37: 15	2	R49,R40	2K
38: 16	1	R41	15K
39: 17	2	R45,R44	220
40: 18	8	R48,R50,R52,R59,R60,R61, R62,R63	100K
42: 19	1	R51	2.2M
43: 20	1	R53	470
44: 21	1	R54	200
45: 22	1	R56	390
46: 23	1	R64	30K
47: 24	1	U9	ADC0804
48: 25	1	U10	74HC00
49: 26	7	U12,U17,U18,U19,U22,U23, U26	74HC14
51: 27	2	U16,U32	74HC109
52: 28	2	U20,U25	1489
53: 29	2	U21,U24	74HC164
54: 30	1	U27	CA3080
55: 31	4	U28,U29,U34,U35	TL072
56: 32	1	U31	74HC32
57: 33	1	U33	LM4041-ADJ
58:			



COPYRIGHT (C) 2004 BY JIM PATCHELL  
 SHIFTERS-Oscillator  
 100-1042-REV NC  
 COPYRIGHT (C) 2004 BY JIM PATCHELL

100-1042 REV NC  
 100-1042 REV NC

145054

6500mil