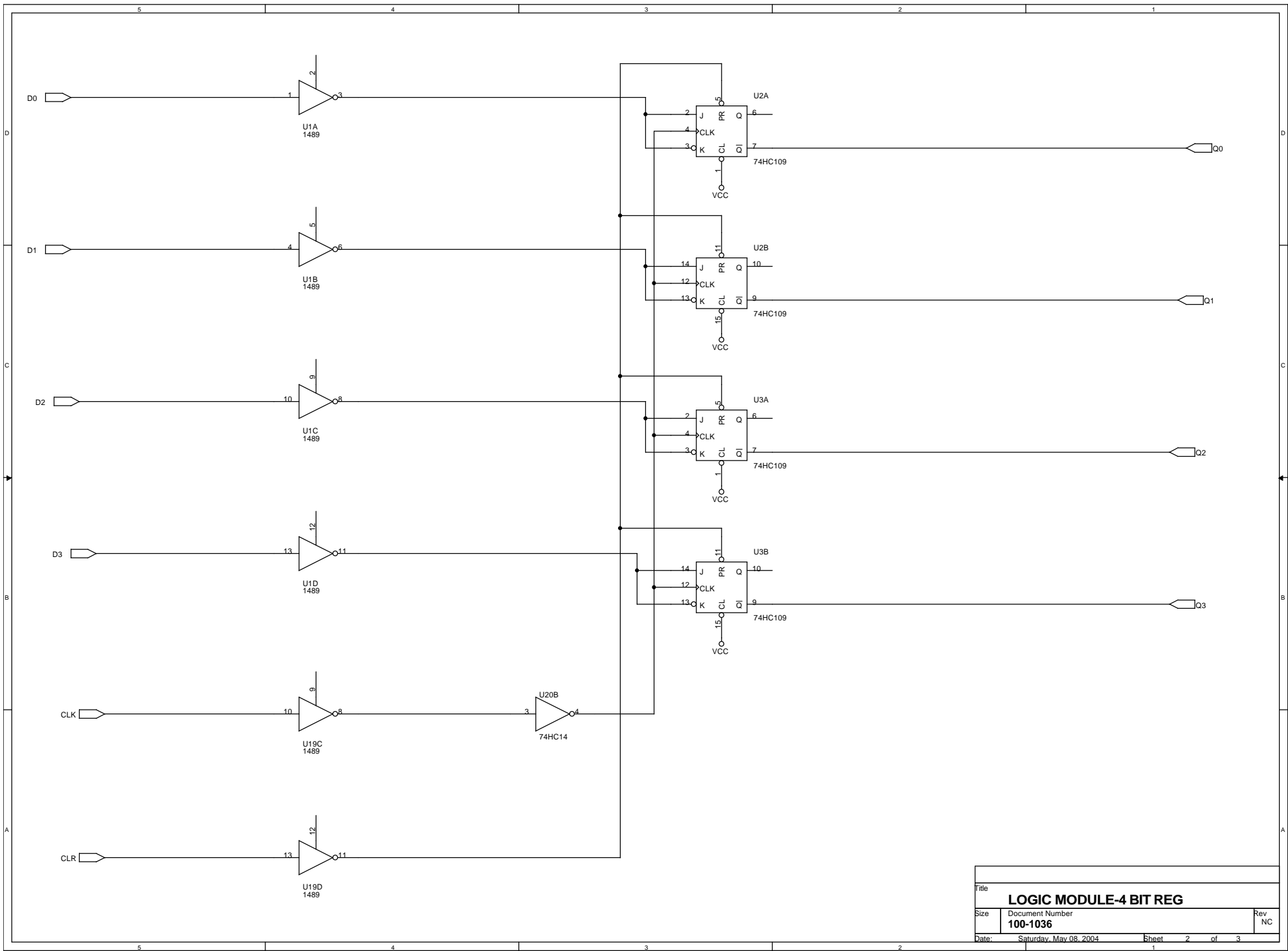
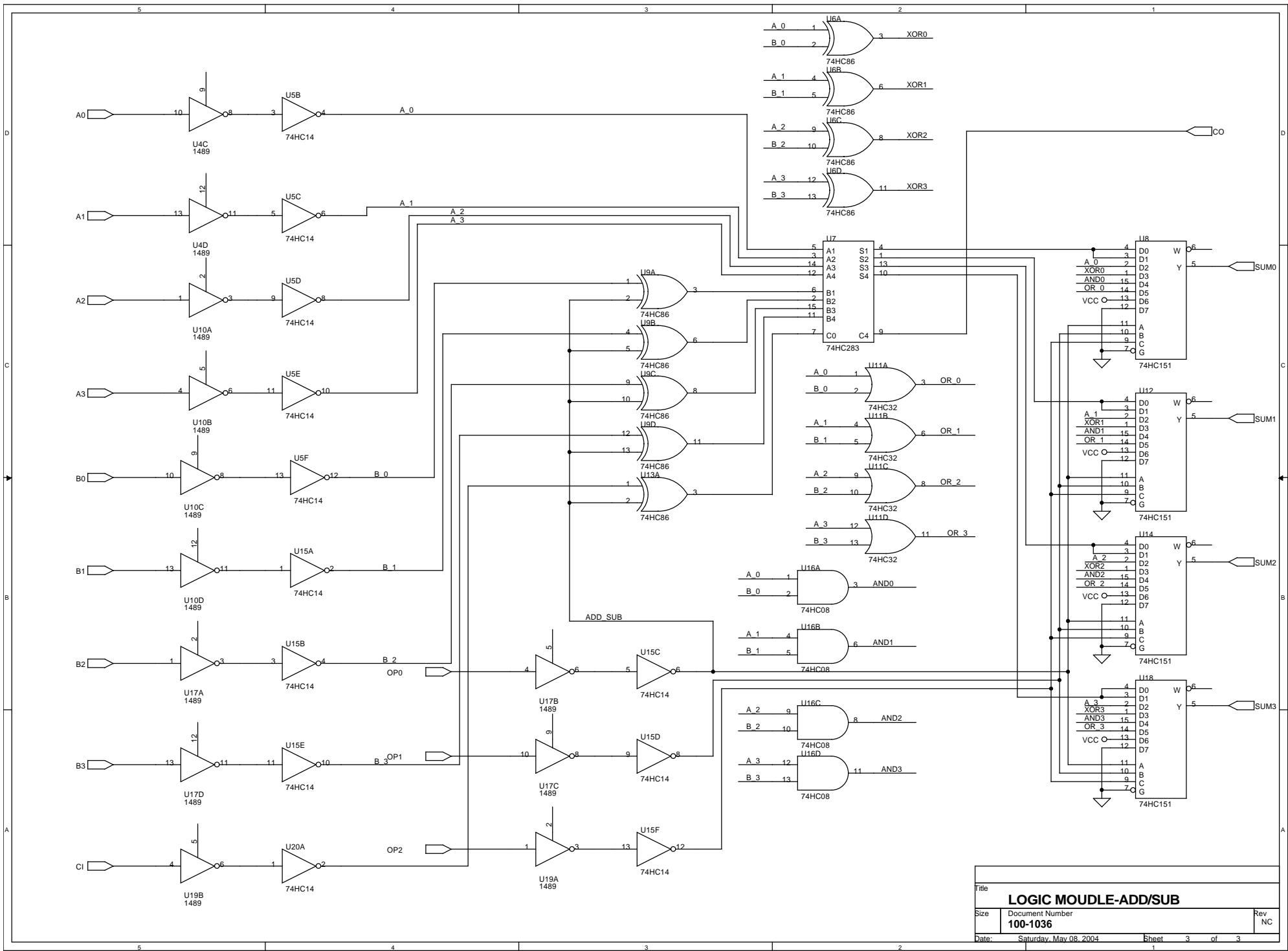


| | | | |
|-------------|------------------------|-------|-----------|
| Title | | | <Title> |
| Size | Document Number | | Rev |
| Custom-Doc> | | | <RevCode> |
| Date: | Saturday, May 08, 2004 | Sheet | 1 of 3 |



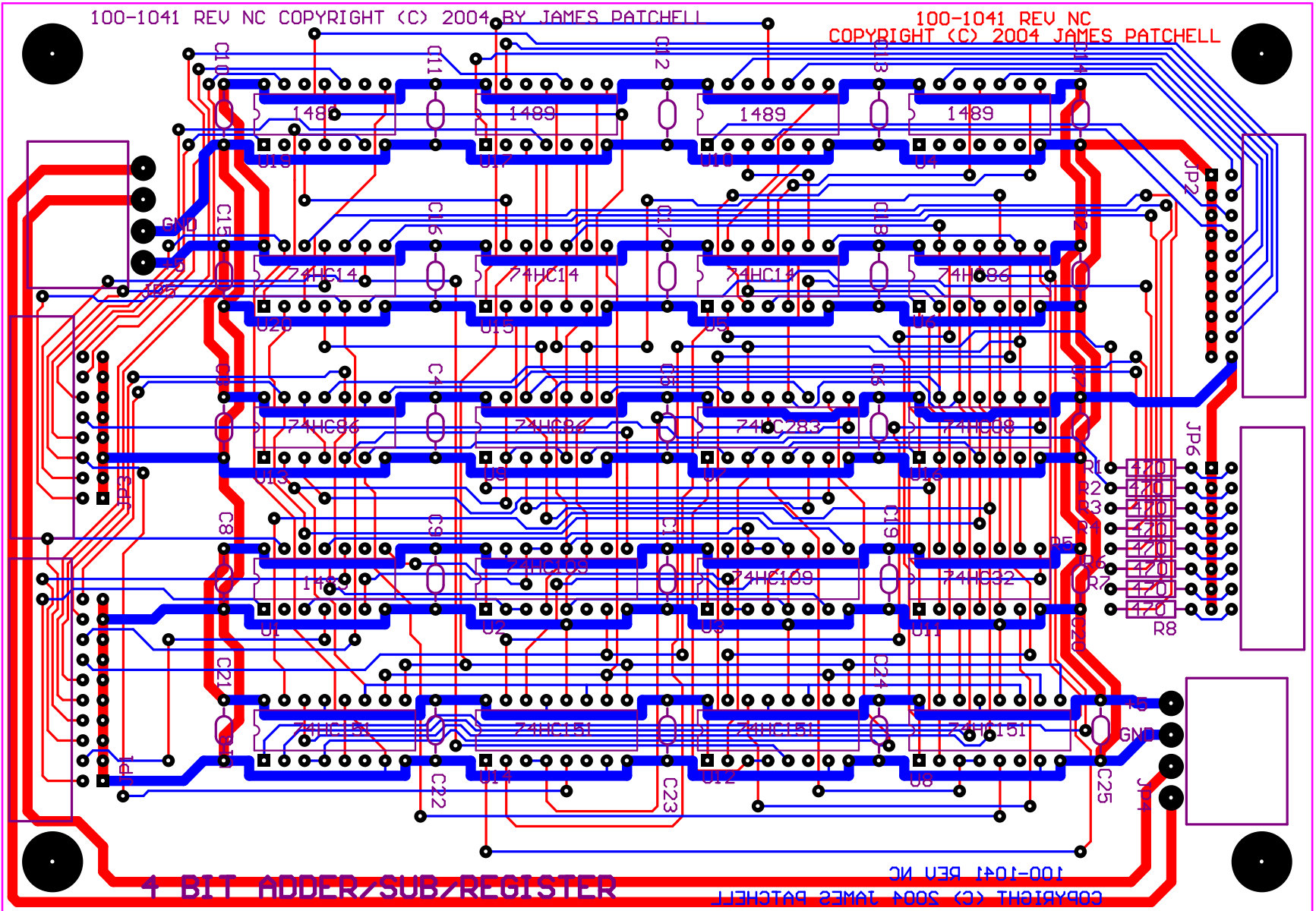
| | | |
|-------------------------------|------------------------|--------------|
| Title | | |
| LOGIC MODULE-4 BIT REG | | |
| Size | Document Number | Rev |
| | 100-1036 | NC |
| Date: | Saturday, May 08, 2004 | Sheet 2 of 3 |



| | | |
|-----------------------------|------------------------|--------------|
| Title | | |
| LOGIC MOUDLE-ADD/SUB | | |
| Size | Document Number | Rev |
| | 100-1036 | NC |
| Date: | Saturday, May 08, 2004 | Sheet 3 of 3 |

100-1041-06 REV NC FAB DRAWING
100-1041-05 REV NC COMPONENT LEGEND

100-1041-02 REV NC COMPONENT SIDE
100-1041-01 REV NC CIRCUIT SIDE



1 BIT ADDER/SUB/REGISTER

100-1041 REV NC
COPYRIGHT (C) 2004 JAMES PATCHELL

4500mil

6500mil