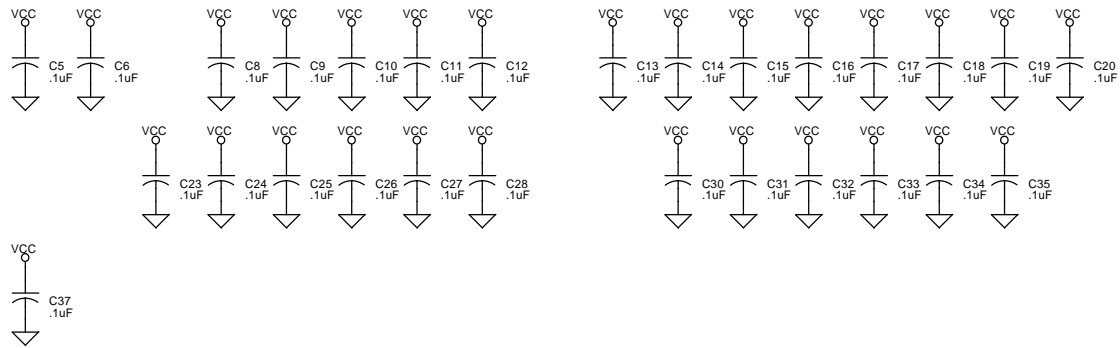
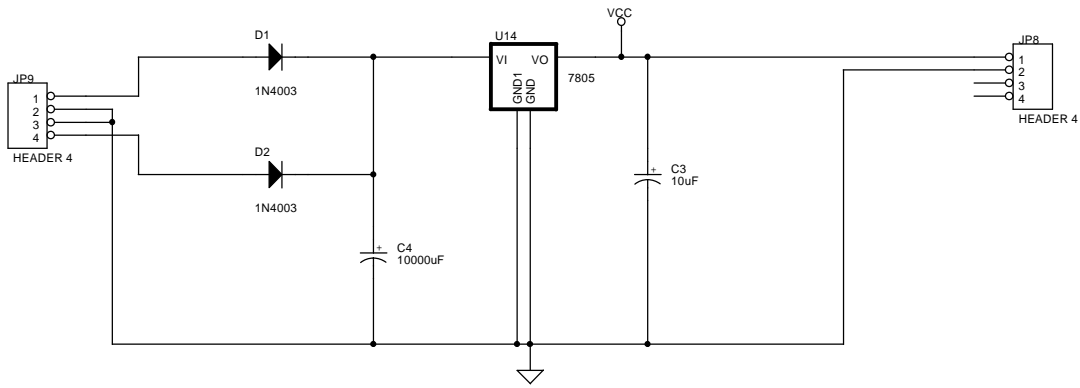
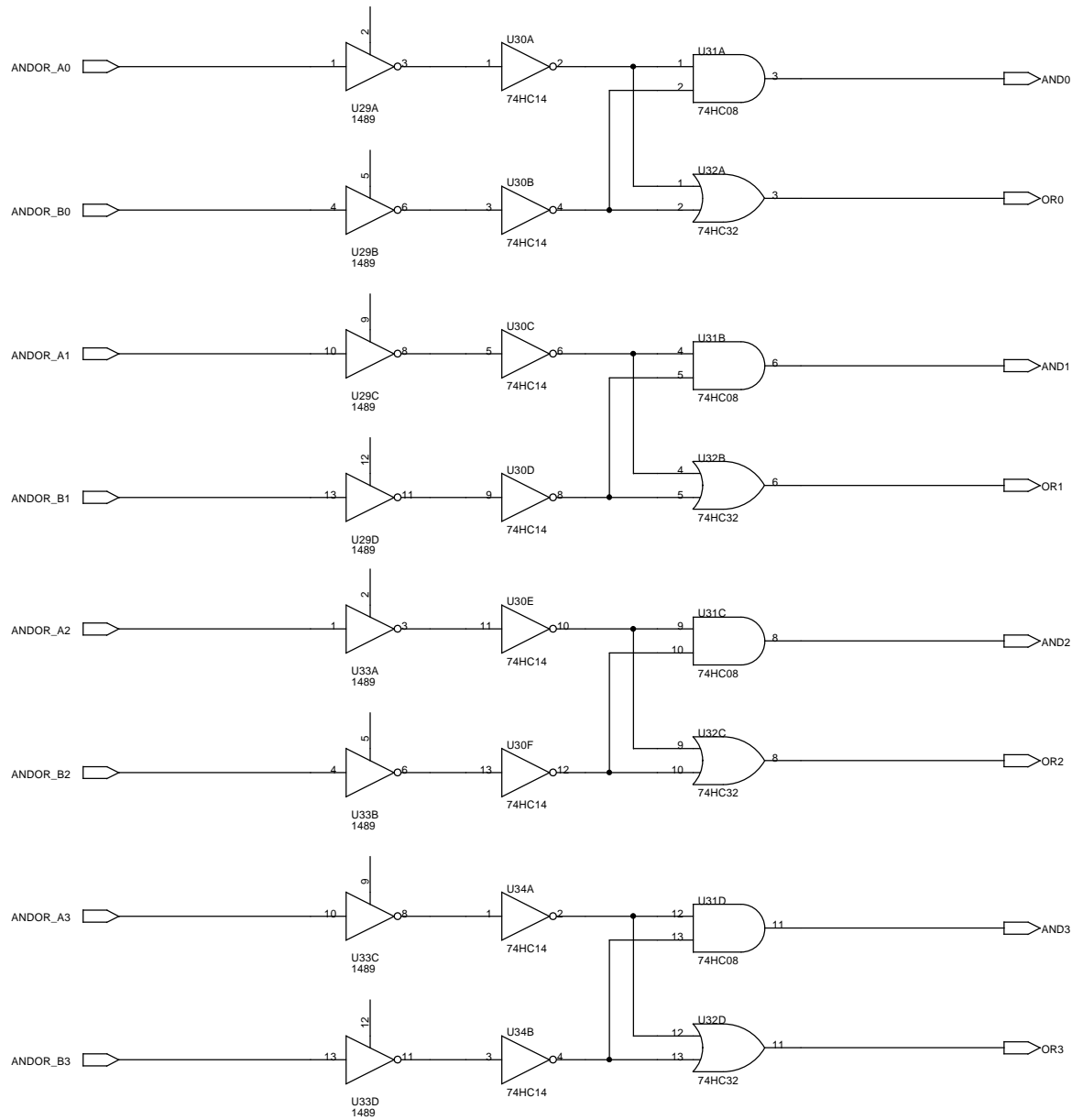


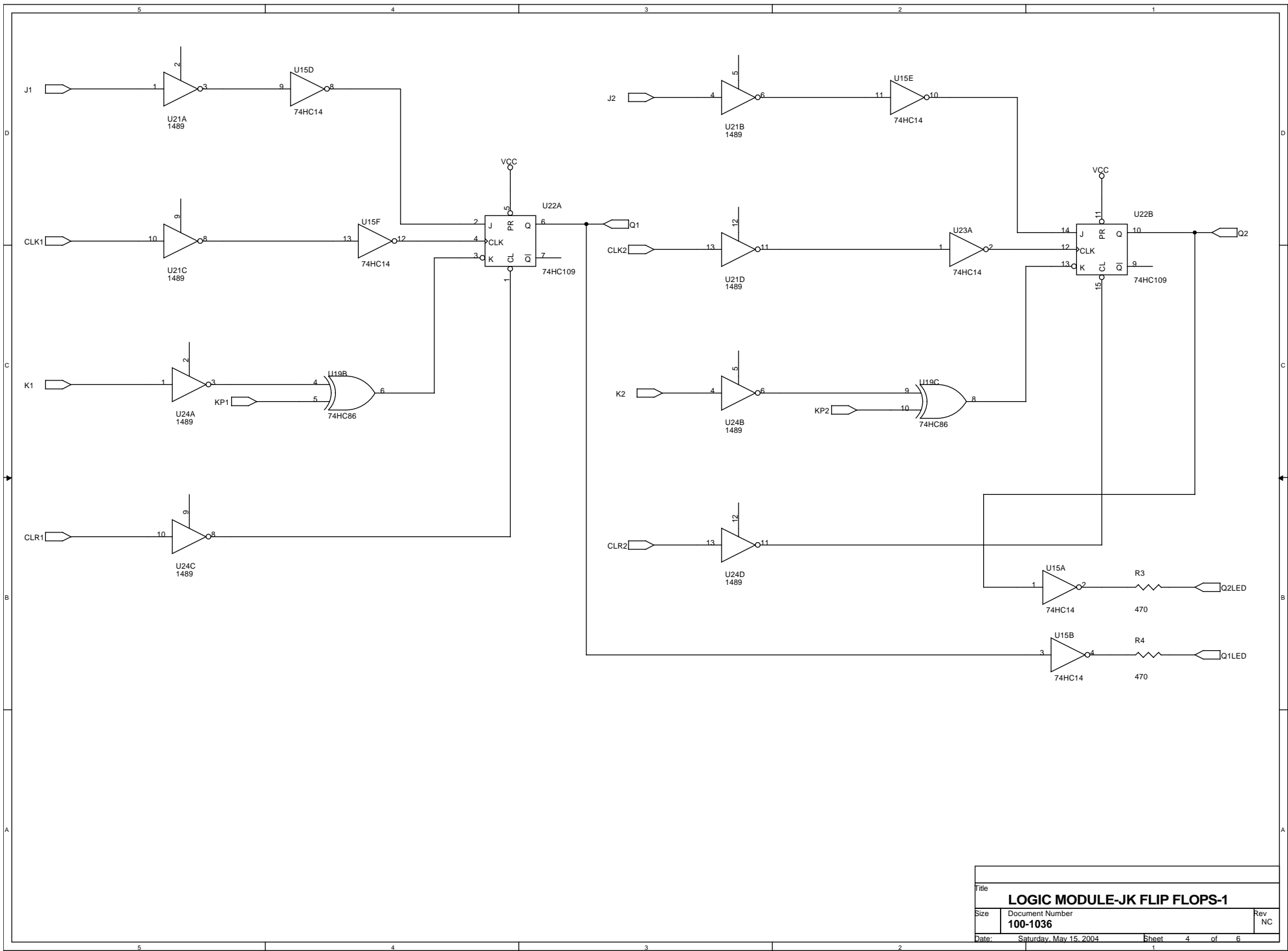
Title		
<b>LOGIC MODULE</b>		
Size	Document Number	Rev
	<b>100-1036</b>	NC
Date:	Saturday, May 15, 2004	Sheet 1 of 6



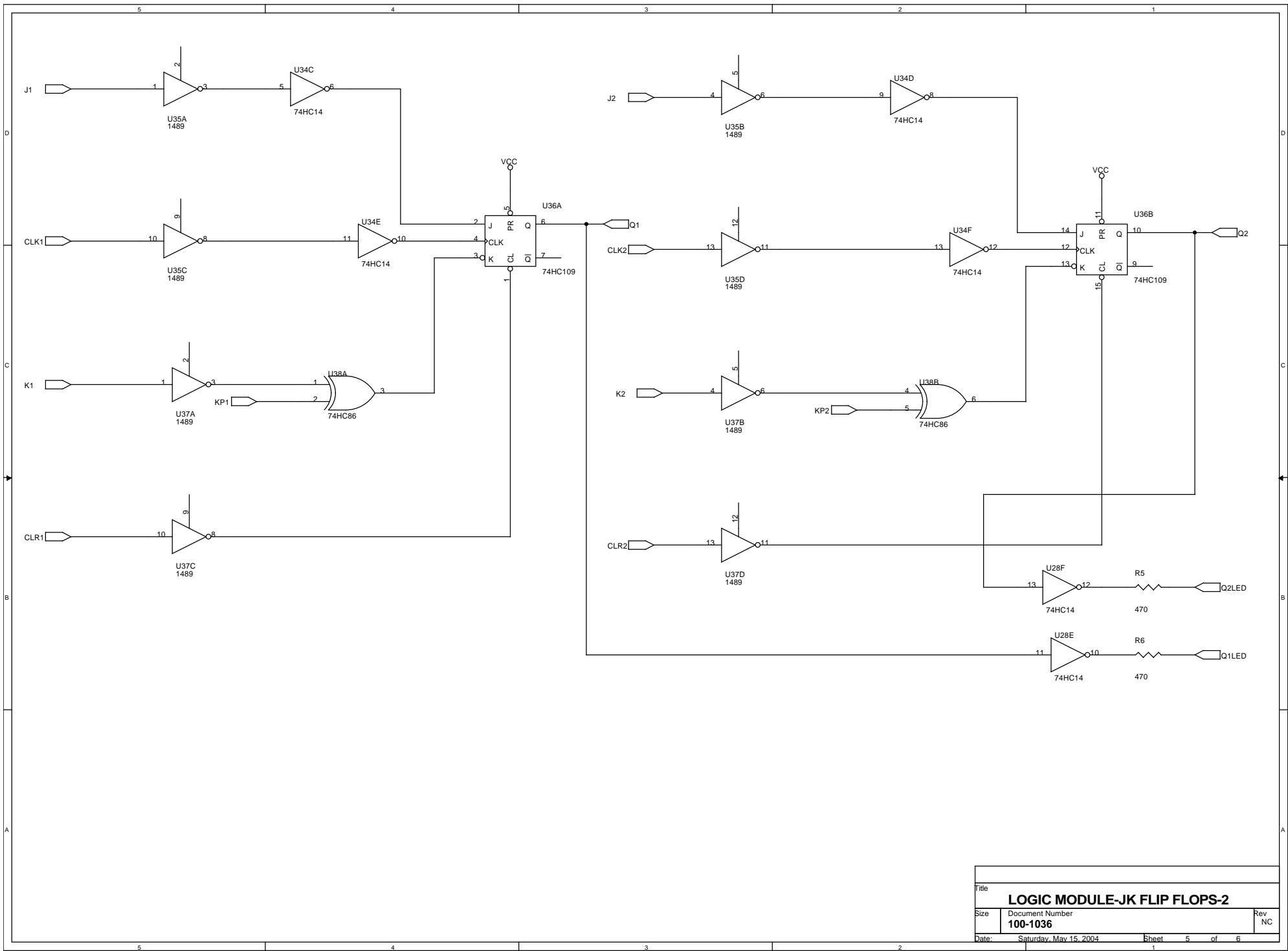
Title		
<b>LOGIC MODULE-POWER SUPPLY</b>		
Size	Document Number	Rev
	<b>100-1036</b>	NC
Date:	Saturday, May 15, 2004	Sheet 2 of 6



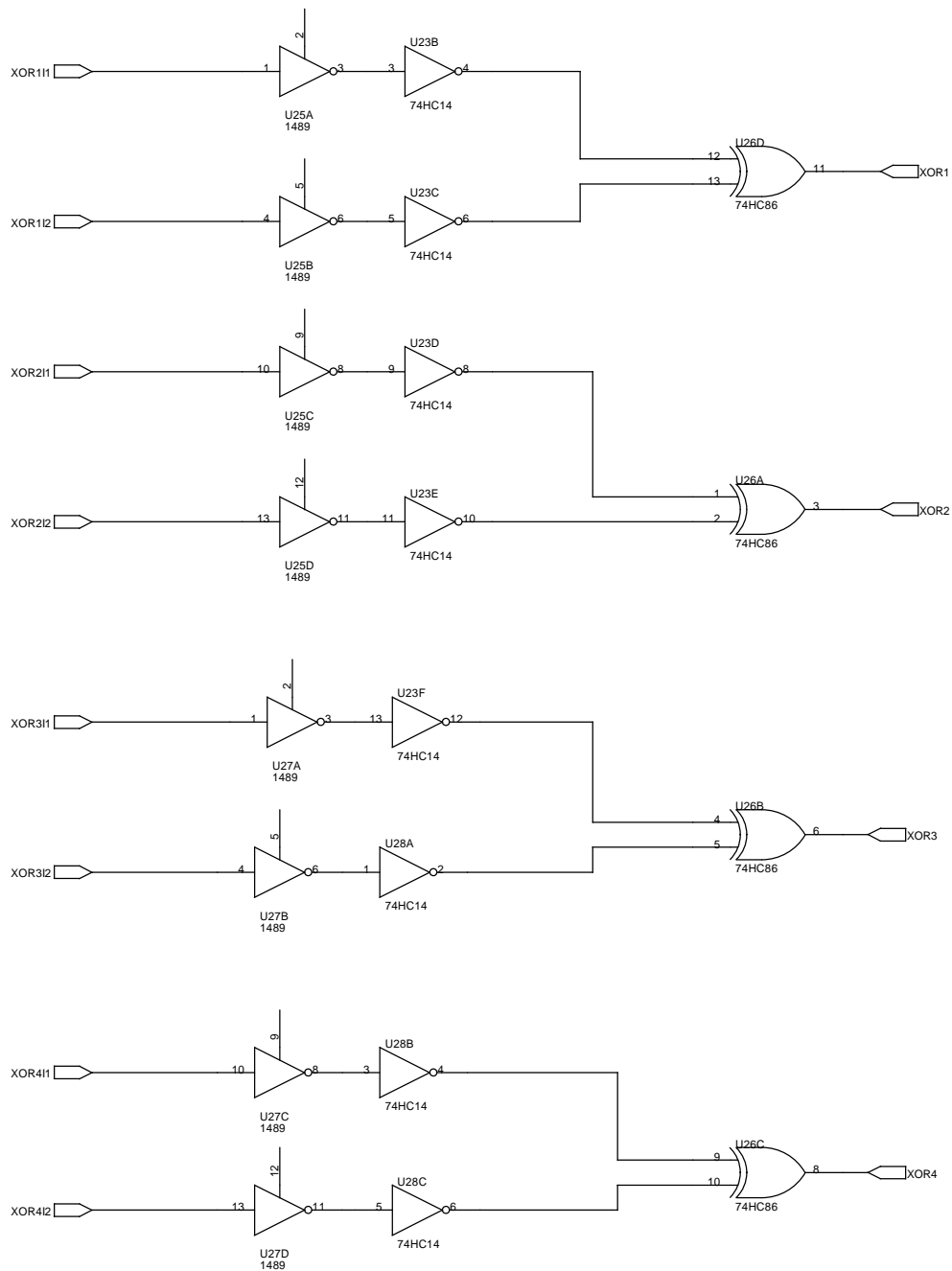
Title		
<b>AND/OR LOGIC</b>		
Size	Document Number	Rev
	<b>100-1036</b>	<b>NC</b>
Date:	Sunday, May 09, 2004	Sheet 3 of 6



Title		
<b>LOGIC MODULE-JK FLIP FLOPS-1</b>		
Size	Document Number	Rev
	<b>100-1036</b>	NC
Date:	Saturday, May 15, 2004	Sheet 4 of 6



Title		
<b>LOGIC MODULE-JK FLIP FLOPS-2</b>		
Size	Document Number	Rev
	<b>100-1036</b>	NC
Date:	Saturday, May 15, 2004	Sheet 5 of 6



Title		
<b>LOGIC MODULE-QUAD XOR</b>		
Size	Document Number	Rev
	<b>100-1036</b>	NC
Date:	Saturday, May 15, 2004	Sheet 6 of 6

100-1036-06 REV NC FAB DRAWING  
100-1036-05 REV NC COMPONENT SIDE LEGEND

100-1036-02 REV NC COMPONENT SIDE  
100-1036-01 REV NC CIRCUIT SIDE

