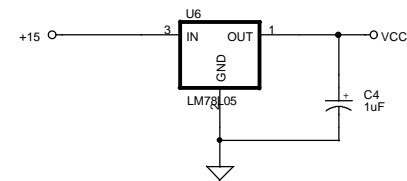
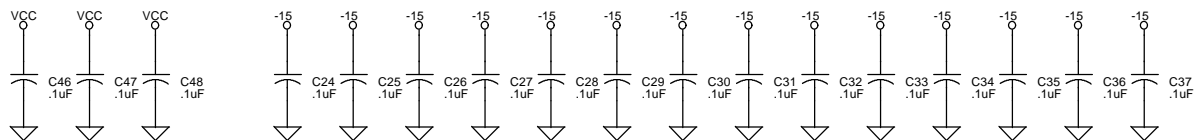
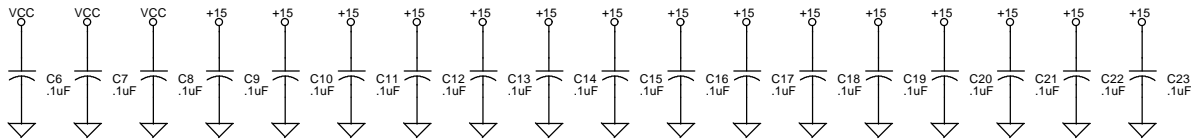
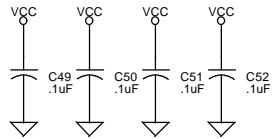
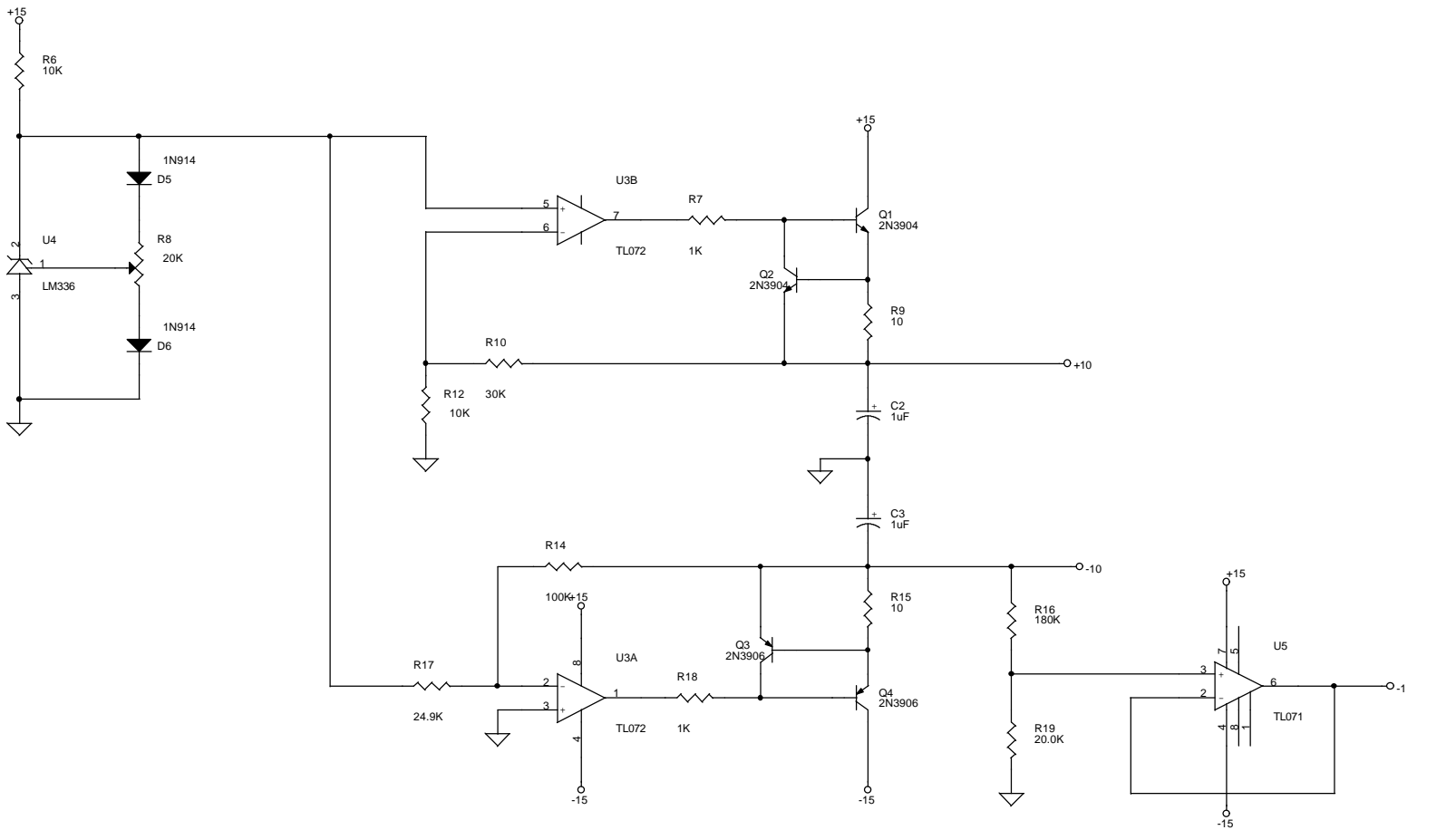
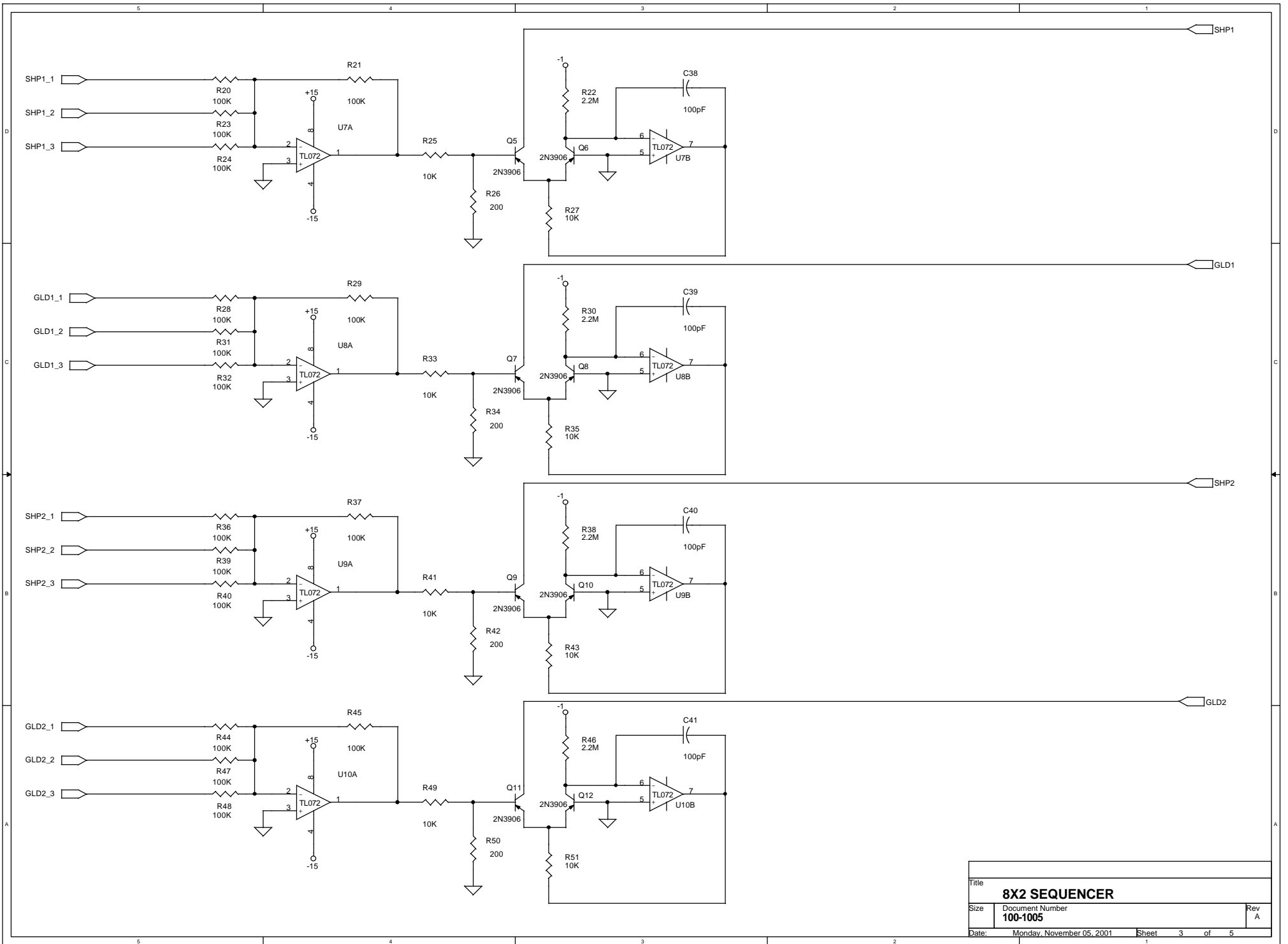


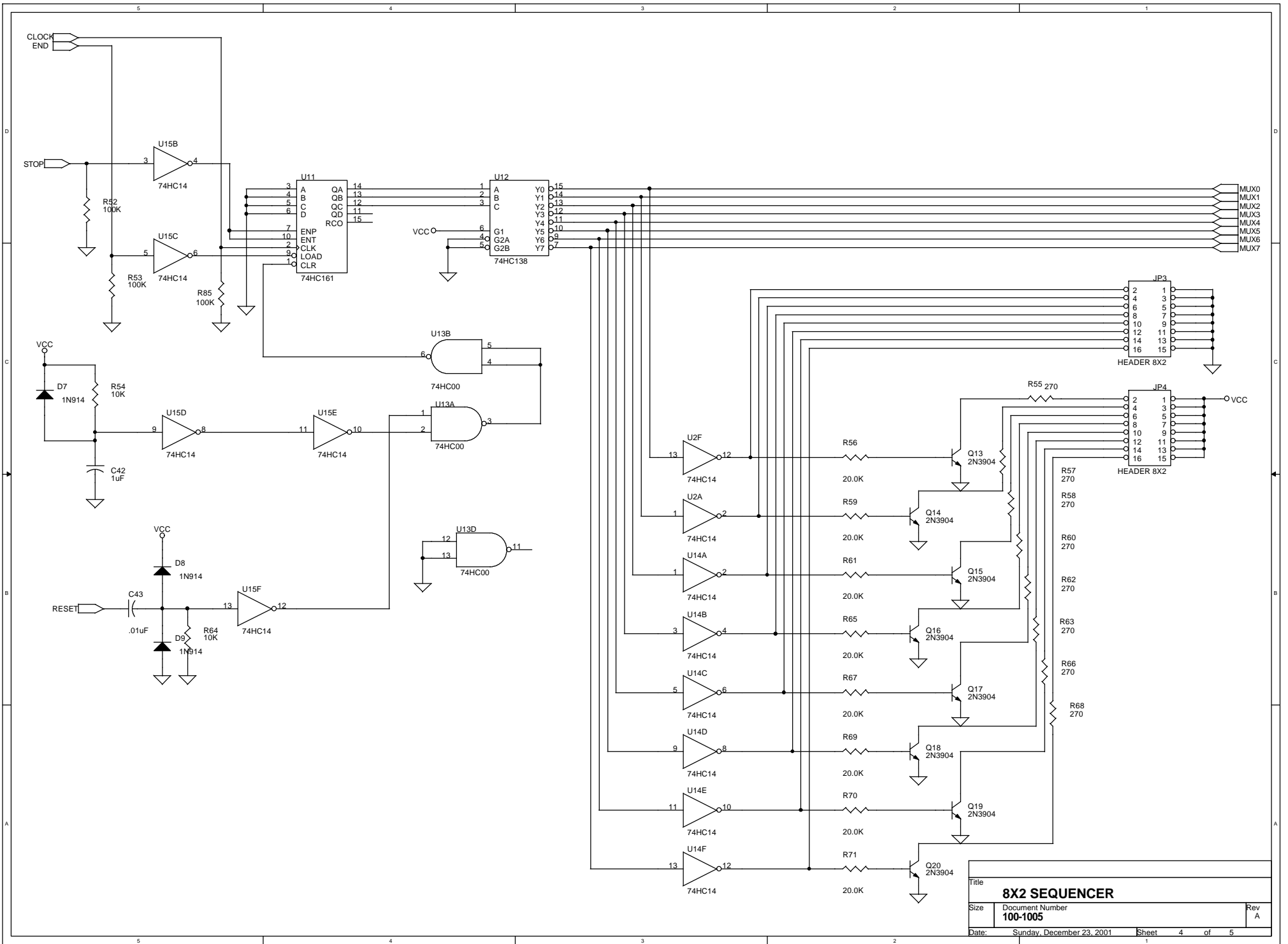
Title		
8X2 SEQUENCER		
Size	Document Number	Rev
	100-1005	A
Date:	Sunday, December 23, 2001	Sheet 1 of 5



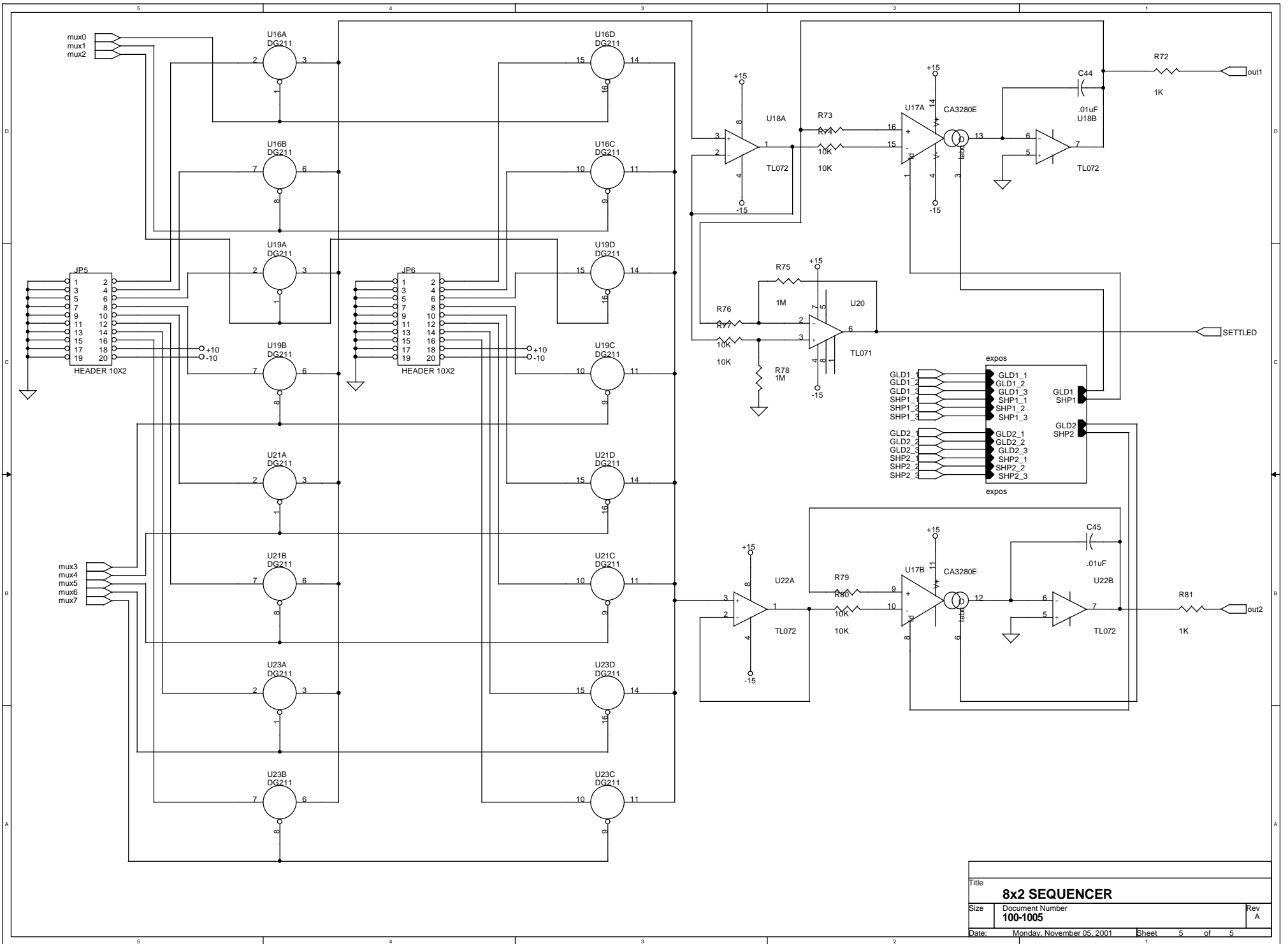
Title		
8X2 SEQUENCER		
Size	Document Number	Rev
	100-1005	A
Date:	Monday, November 05, 2001	Sheet 2 of 5



Title		
8X2 SEQUENCER		
Size	Document Number	Rev
	100-1005	A
Date:	Monday, November 05, 2001	Sheet 3 of 5



Title		
8X2 SEQUENCER		
Size	Document Number	Rev
	100-1005	A
Date:	Sunday, December 23, 2001	Sheet 4 of 5



Title		
8x2 SEQUENCER		
Size	Document Number	Rev
	100-1005	A
Date:	Monday, November 05, 2001	Sheet 5 of 5