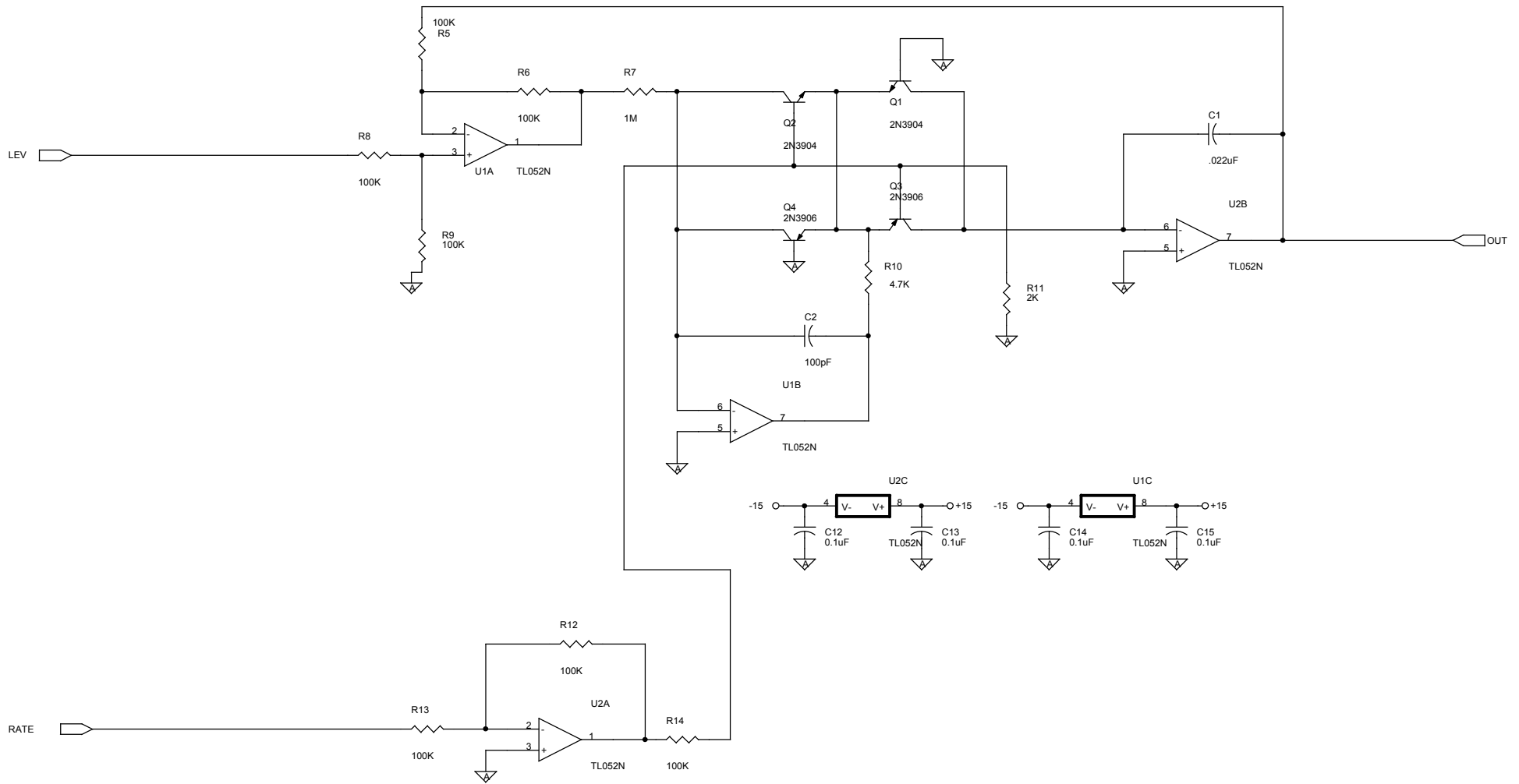
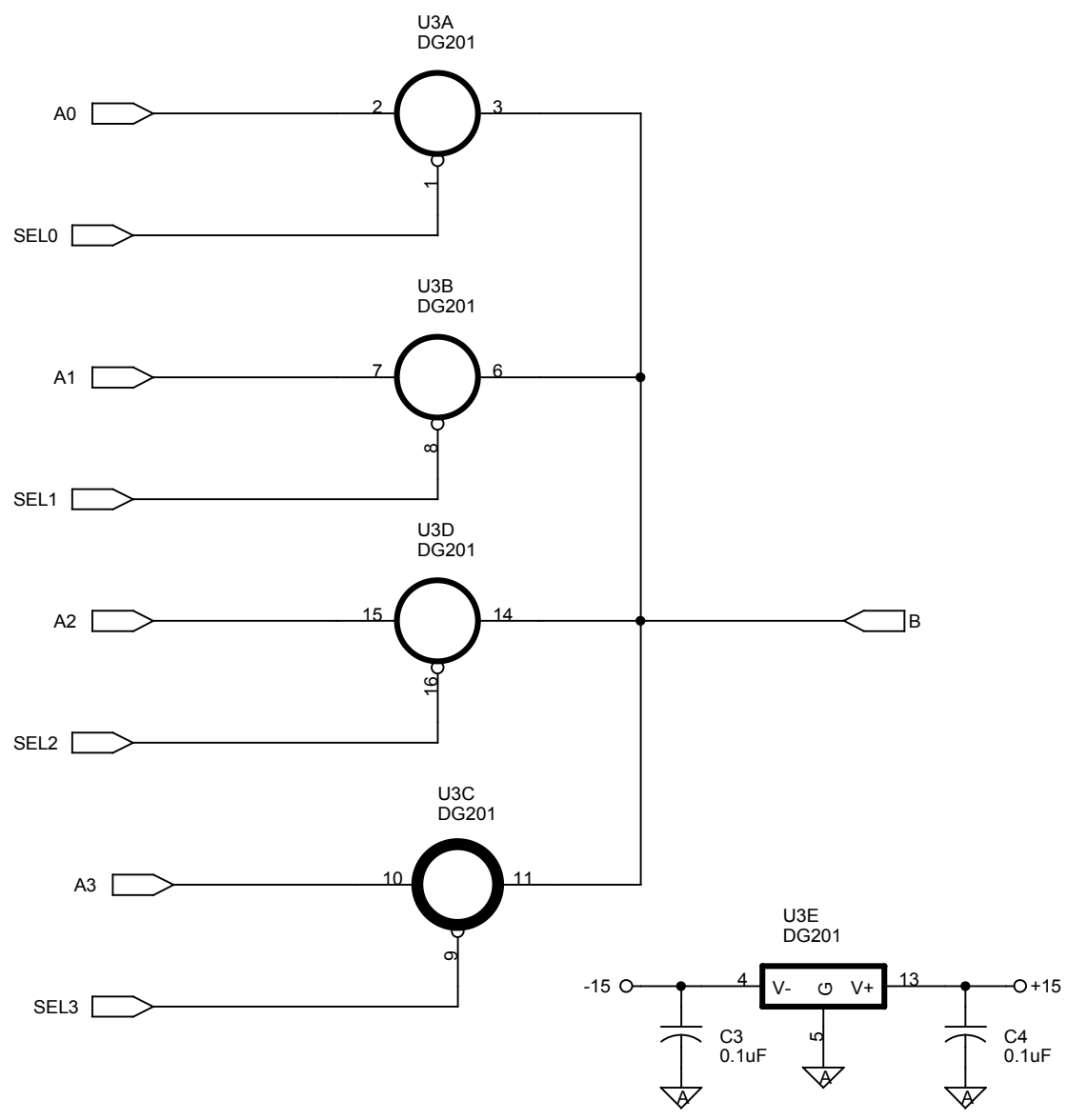


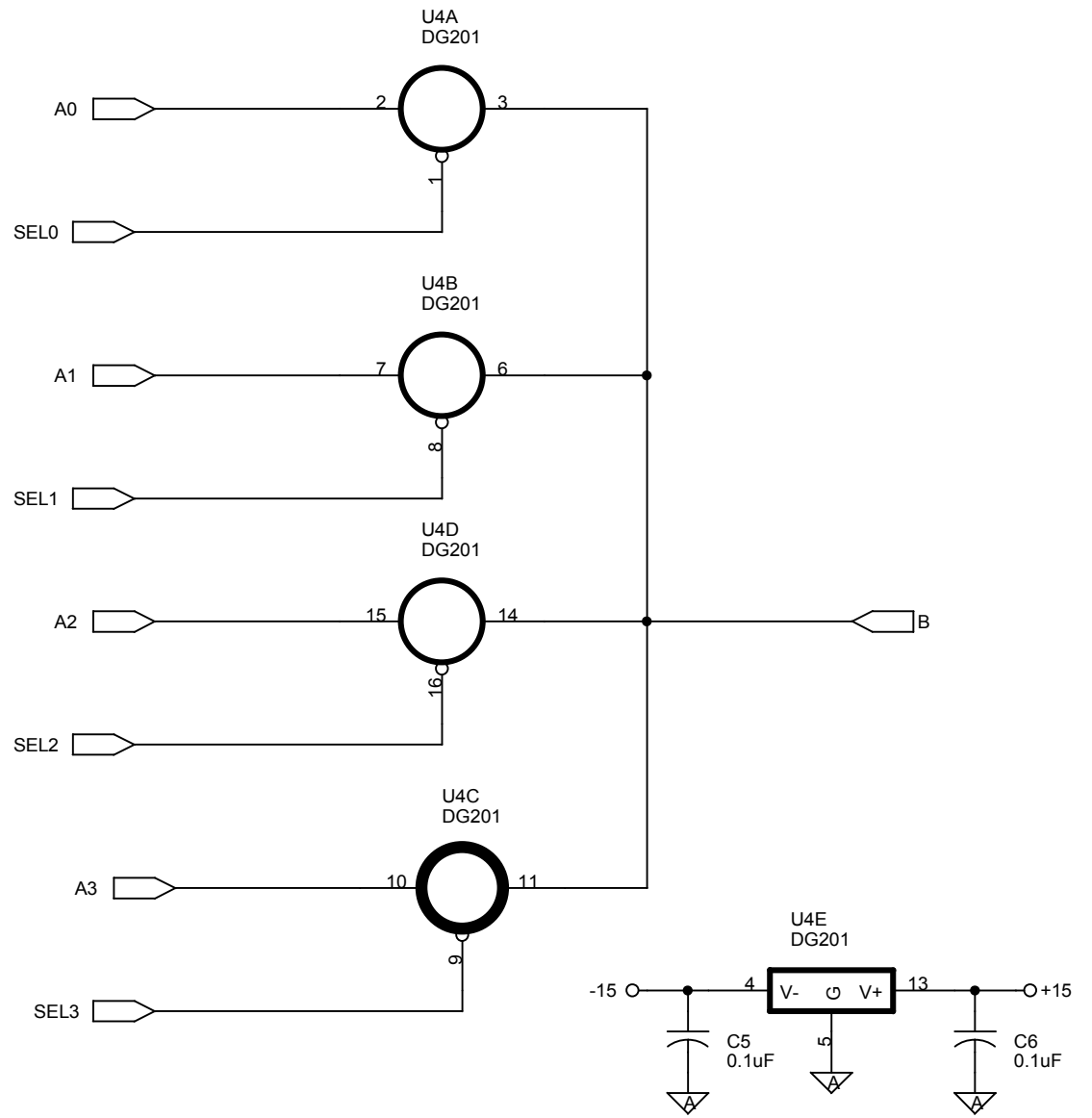
Title		
MULTISEGMENT (4) ENVELOPE GEN		
Size	Document Number	Rev
A	500-1008	A
Date:	Wednesday, July 02, 2014	Sheet 1 of 10



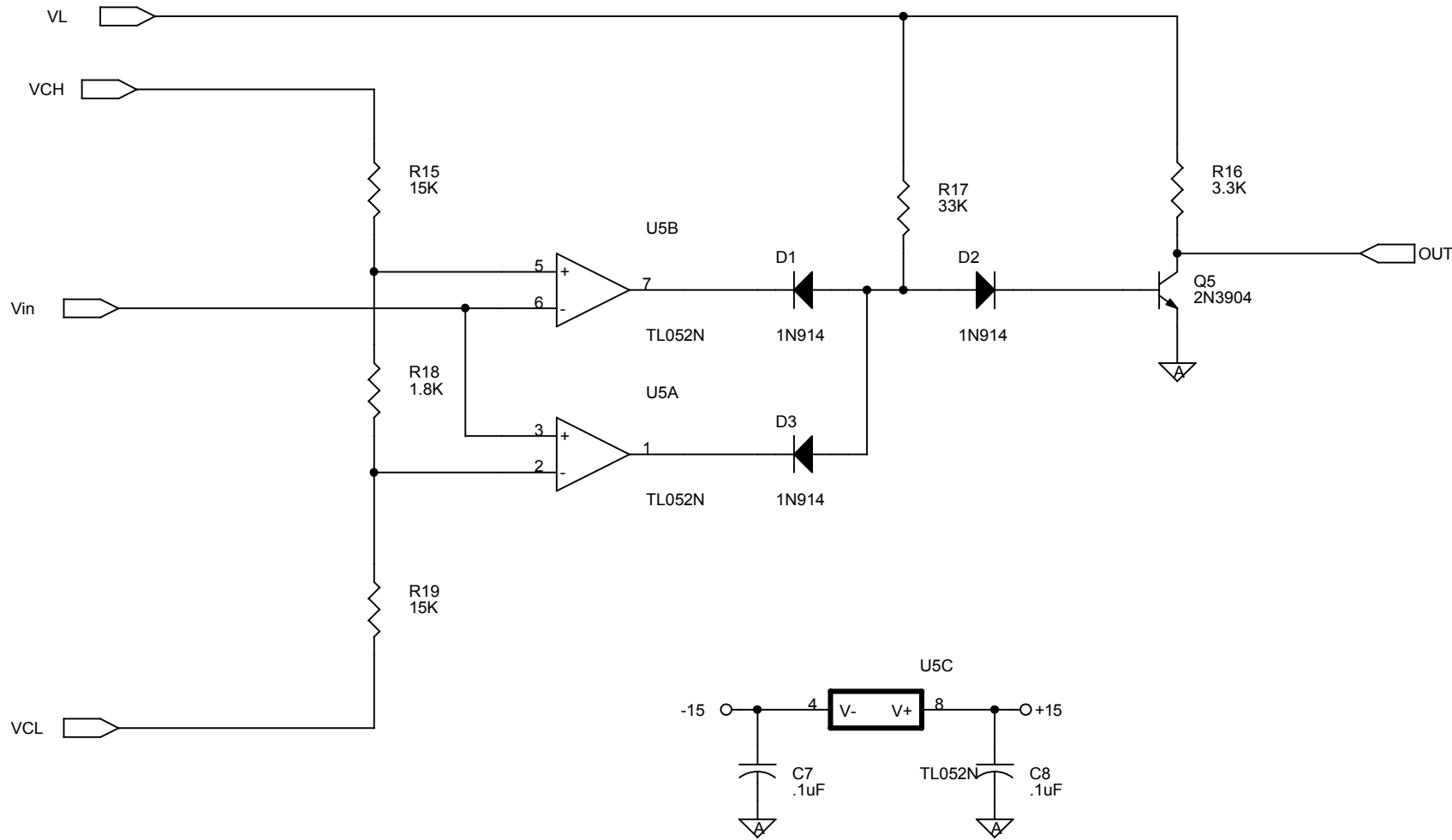
Title		
SIMPLE EV GENERATOR		
Size	Document Number	Rev
	500-1008	A
Date:	Tuesday, July 01, 2014	Sheet 2 of 10



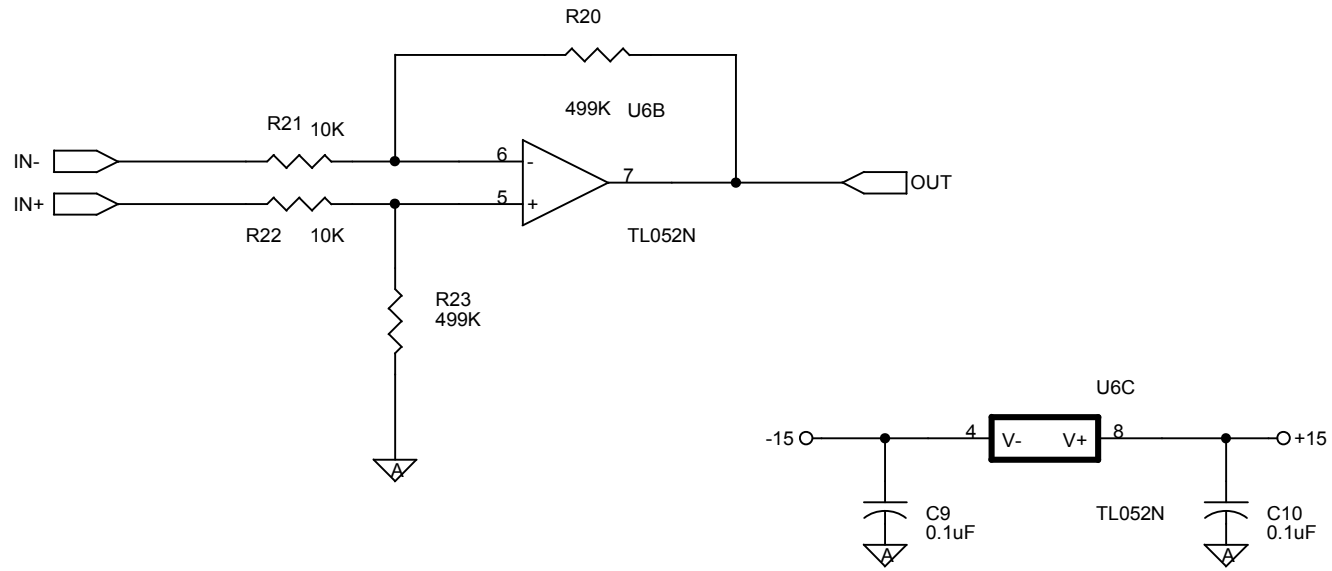
Title		
MULTIPLEXOR 4:1		
Size A	Document Number 500-1008	Rev A
Date:	Wednesday, July 02, 2014	Sheet 3 of 10



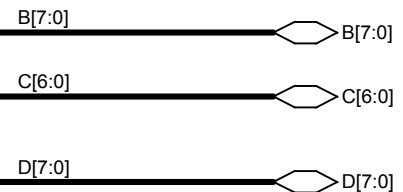
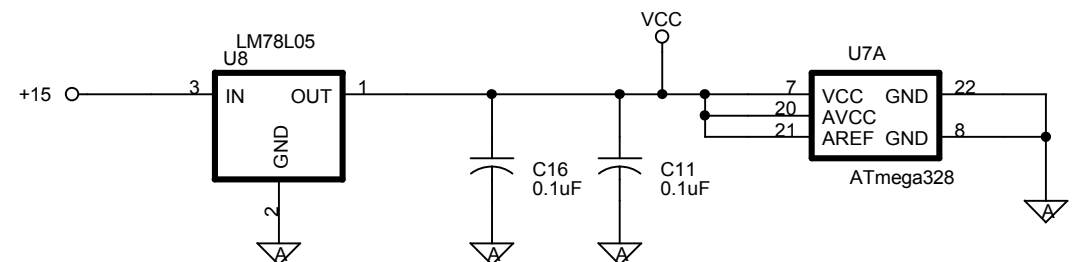
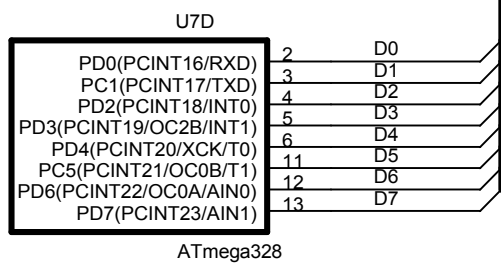
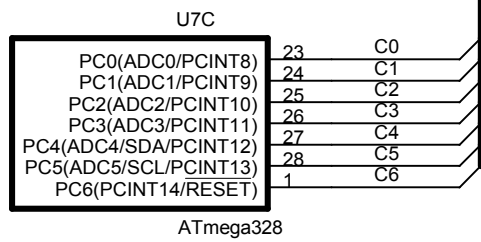
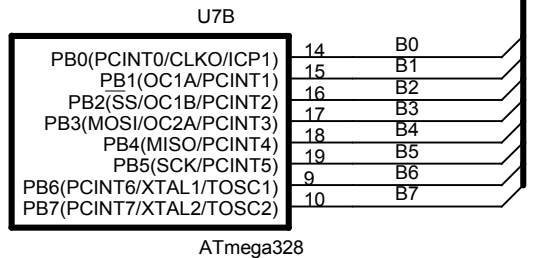
Title		
MULTIPLEXOR 4:1		
Size A	Document Number 500-1008	Rev A
Date:	Wednesday, July 02, 2014	Sheet 4 of 10



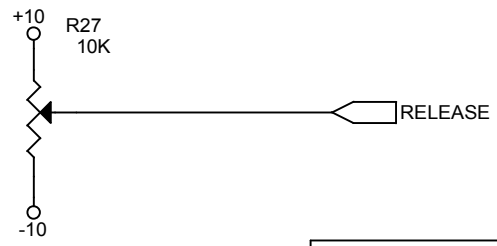
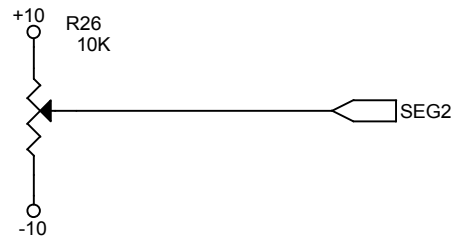
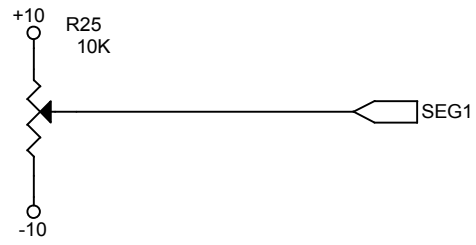
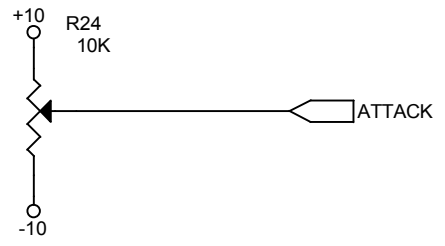
Title		
WINDOW COMPARATOR		
Size A	Document Number 500-1008	Rev A
Date:	Sunday, June 29, 2014	Sheet 5 of 10



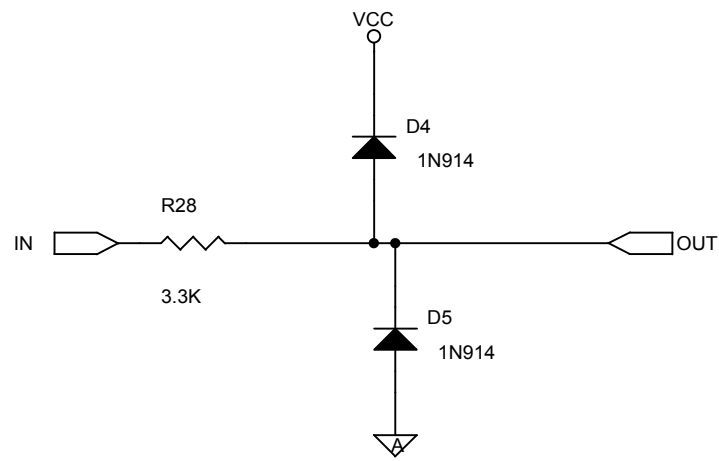
Title		
DIFFERENCE AMPLIFIER		
Size A	Document Number 500-1008	Rev A
Date:	Tuesday, July 01, 2014	Sheet 6 of 10



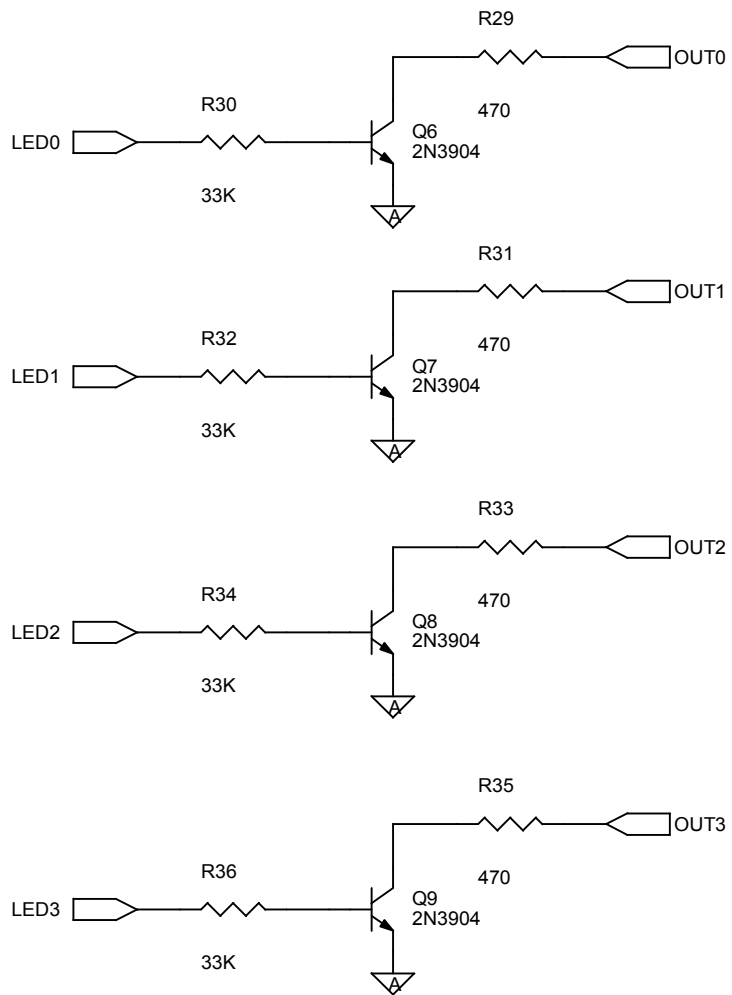
Title		
ATmega328 CPU		
Size	Document Number	Rev
A	500-1008	A
Date:	Tuesday, July 01, 2014	Sheet 7 of 10



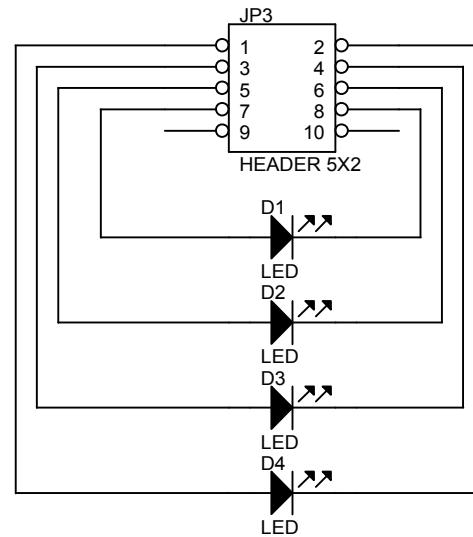
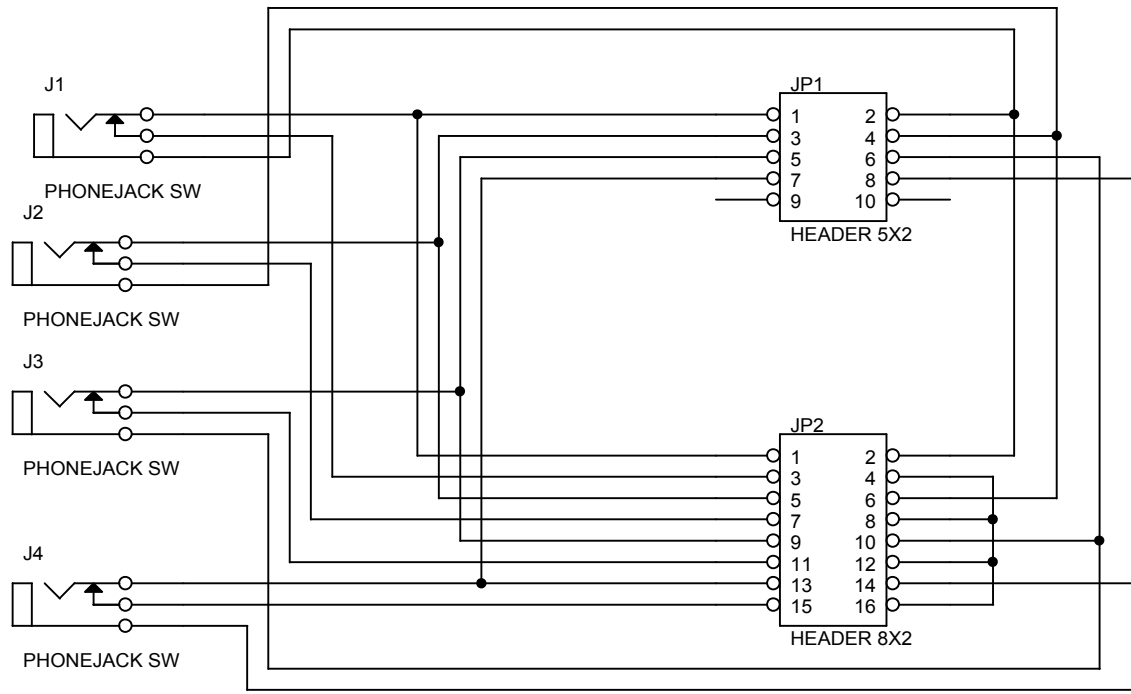
Title		
RATE POTS		
Size A	Document Number 500-1008	Rev A
Date:	Monday, June 02, 2014	Sheet 8 of 10



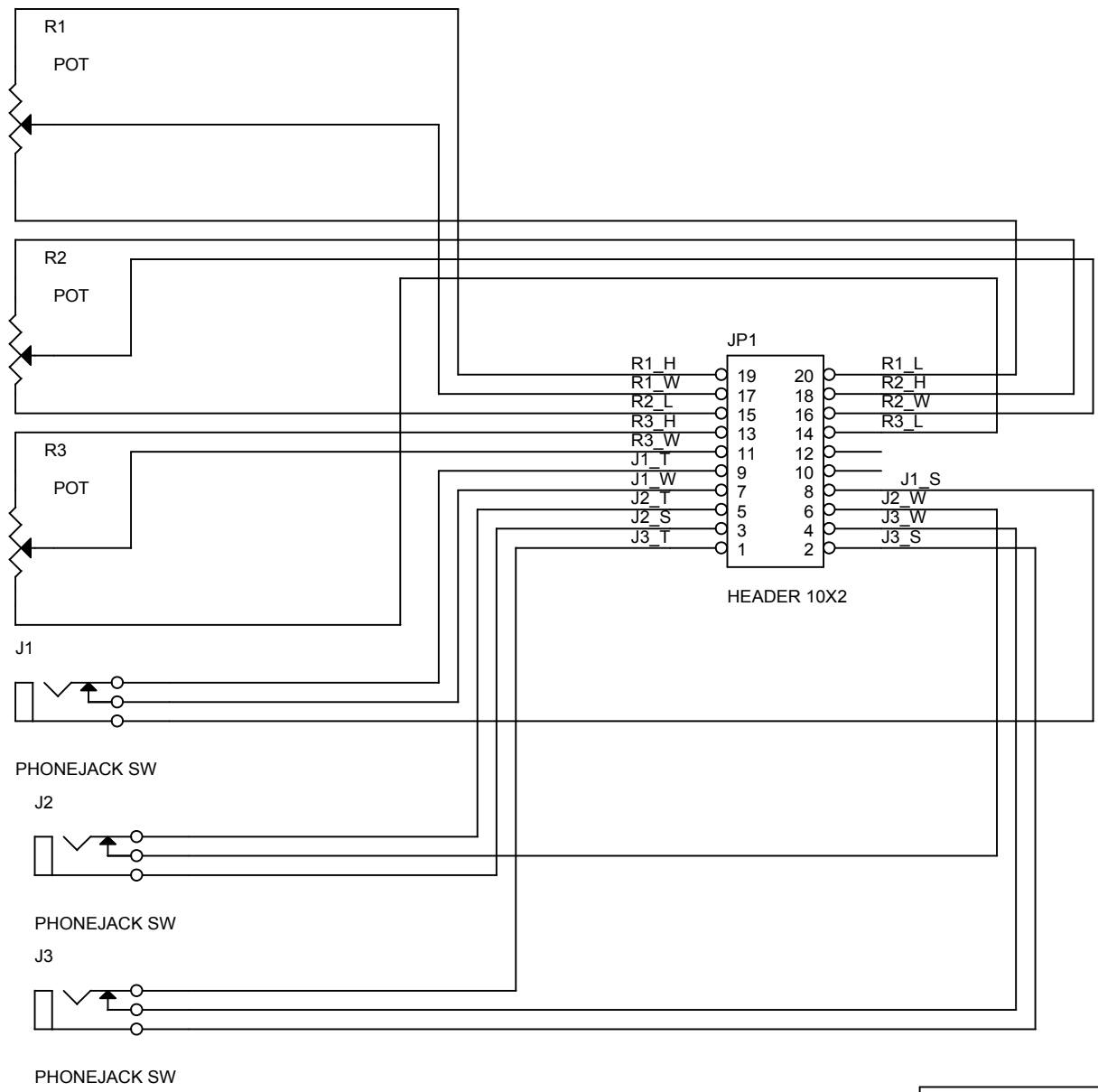
Title		
CLAMP		
Size A	Document Number 500-1008	Rev A
Date:	Monday, June 02, 2014	Sheet 9 of 10



Title		
LED		
Size	Document Number	Rev
A	500-1008	<RevCode>
Date:	Monday, June 30, 2014	Sheet 10 of 10



Title		
QUAD JACK BOARD		
Size	Document Number	Rev
A	500-1072	A
Date:	Saturday, June 28, 2014	Sheet 1 of 1



Title		
TRIPPLE JACK, TRIPPLE POT		
Size	Document Number	Rev
A	500-1078	A
Date:	Thursday, June 12, 2014	Sheet 1 of 1