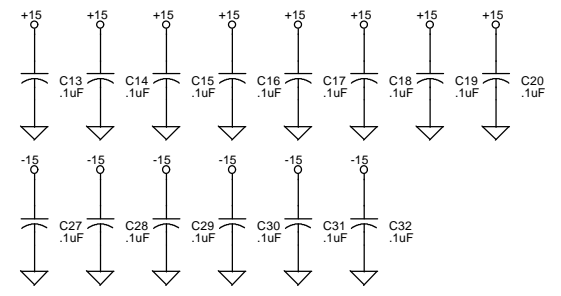
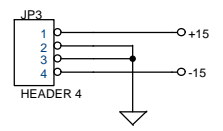
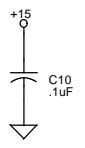
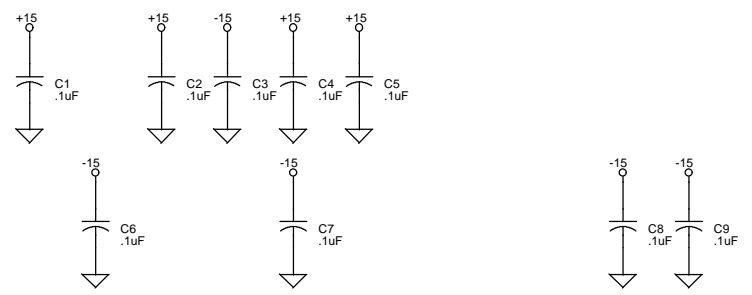
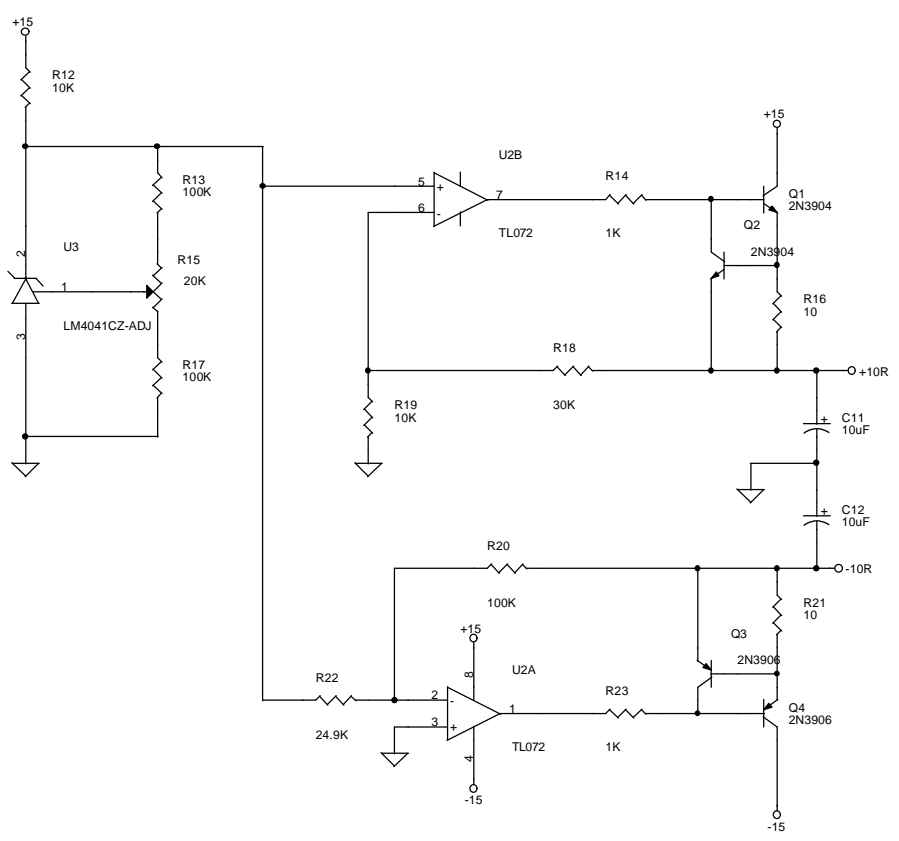
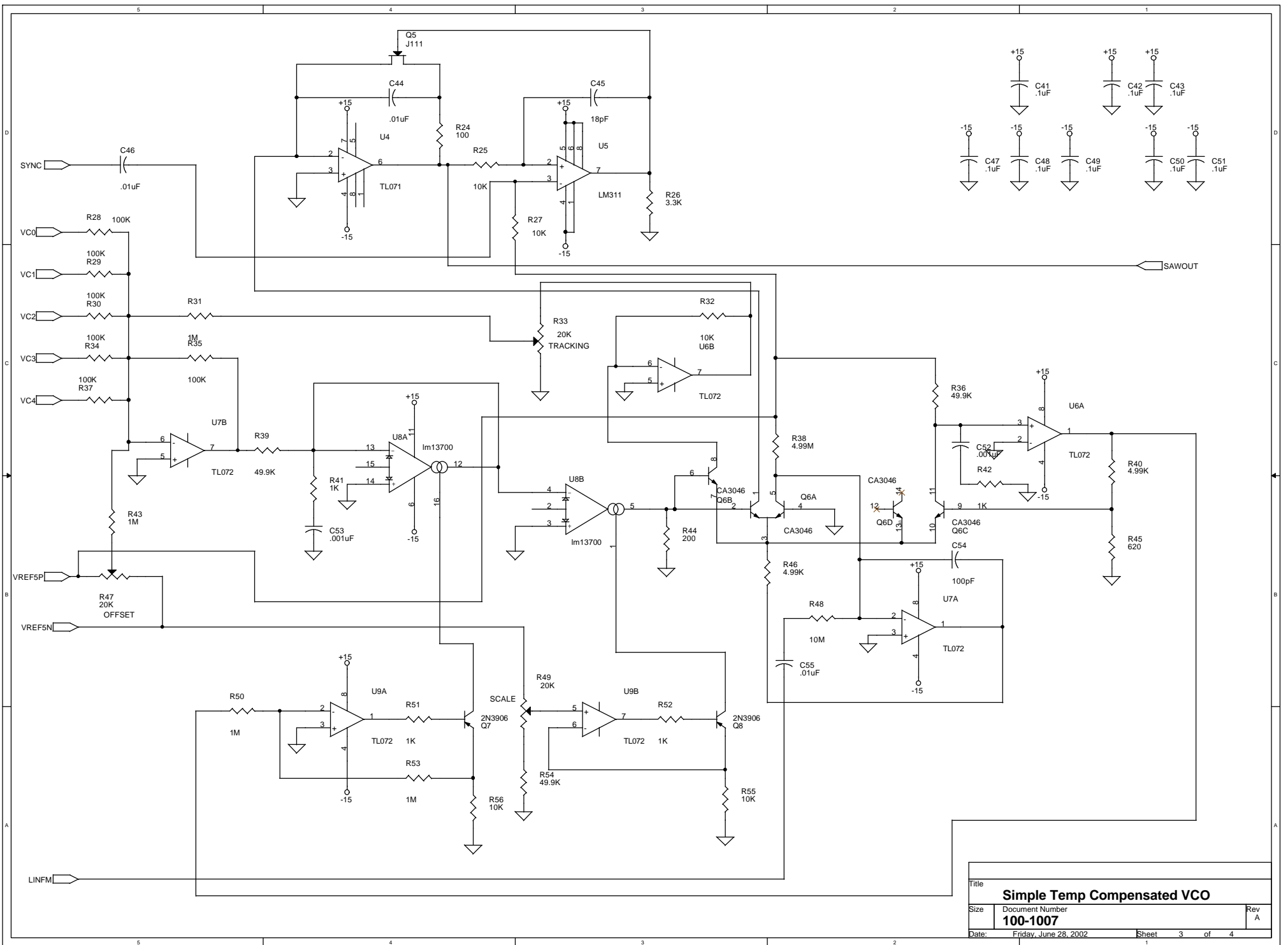


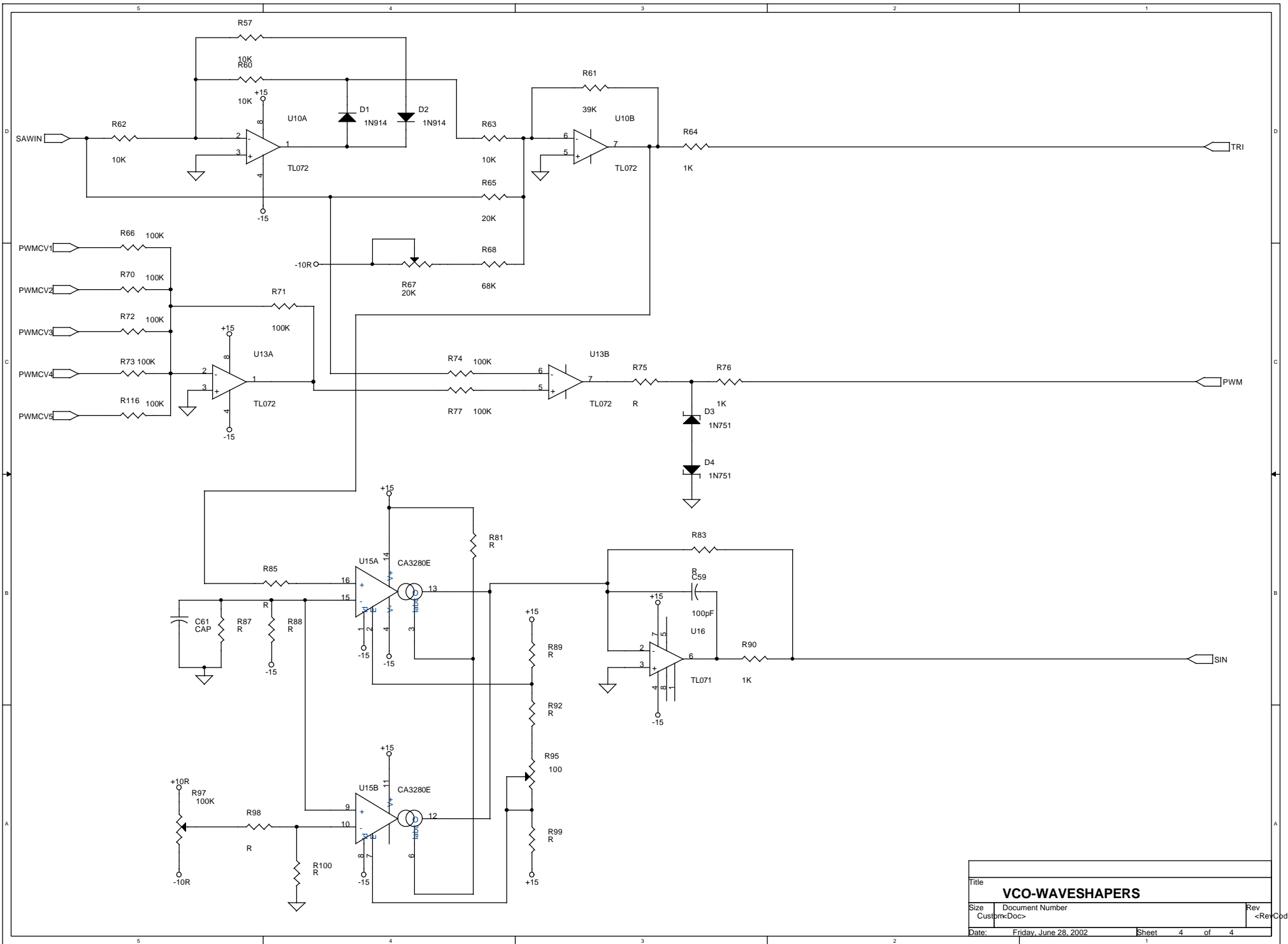
Title		
<b>VOLTAGE CONTROLLED OSCILATOR</b>		
Size	Document Number	Rev
Custom:Doc>		<RevCod
Date:	Monday, July 08, 2002	Sheet 1 of 4



Title		
<b>POWER SUPPLY/REFERENCES</b>		
Size	Document Number	Rev
	<b>100-1013</b>	<b>A</b>
Date:	Monday, July 08, 2002	Sheet 2 of 4



Title		
<b>Simple Temp Compensated VCO</b>		
Size	Document Number	Rev
	<b>100-1007</b>	A
Date:	Friday, June 28, 2002	Sheet 3 of 4



Title		
<b>VCO-WAVESHAPERS</b>		
Size	Document Number	Rev
Custom:Doc>		<RevCod
Date:	Friday, June 28, 2002	Sheet 4 of 4