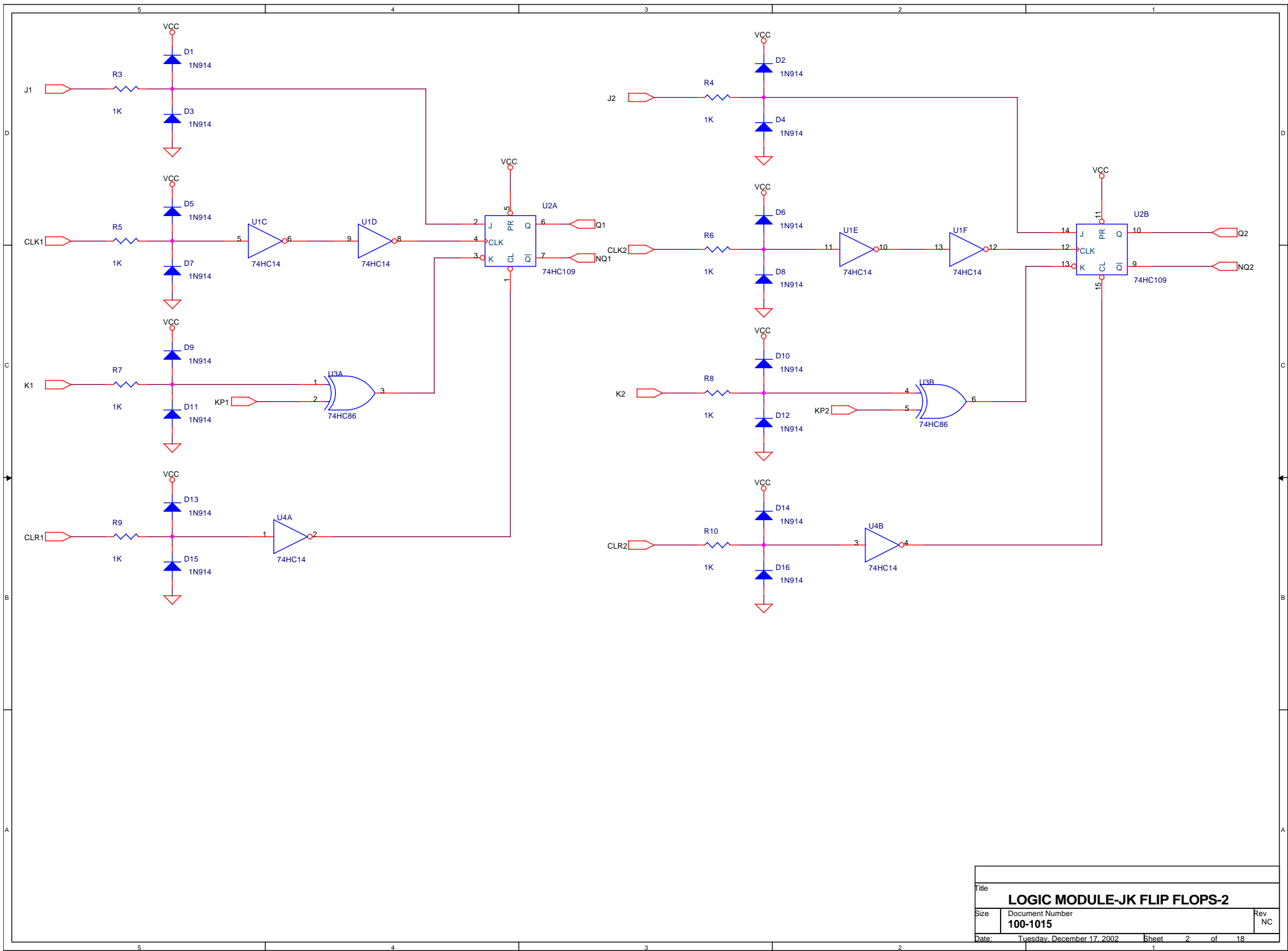
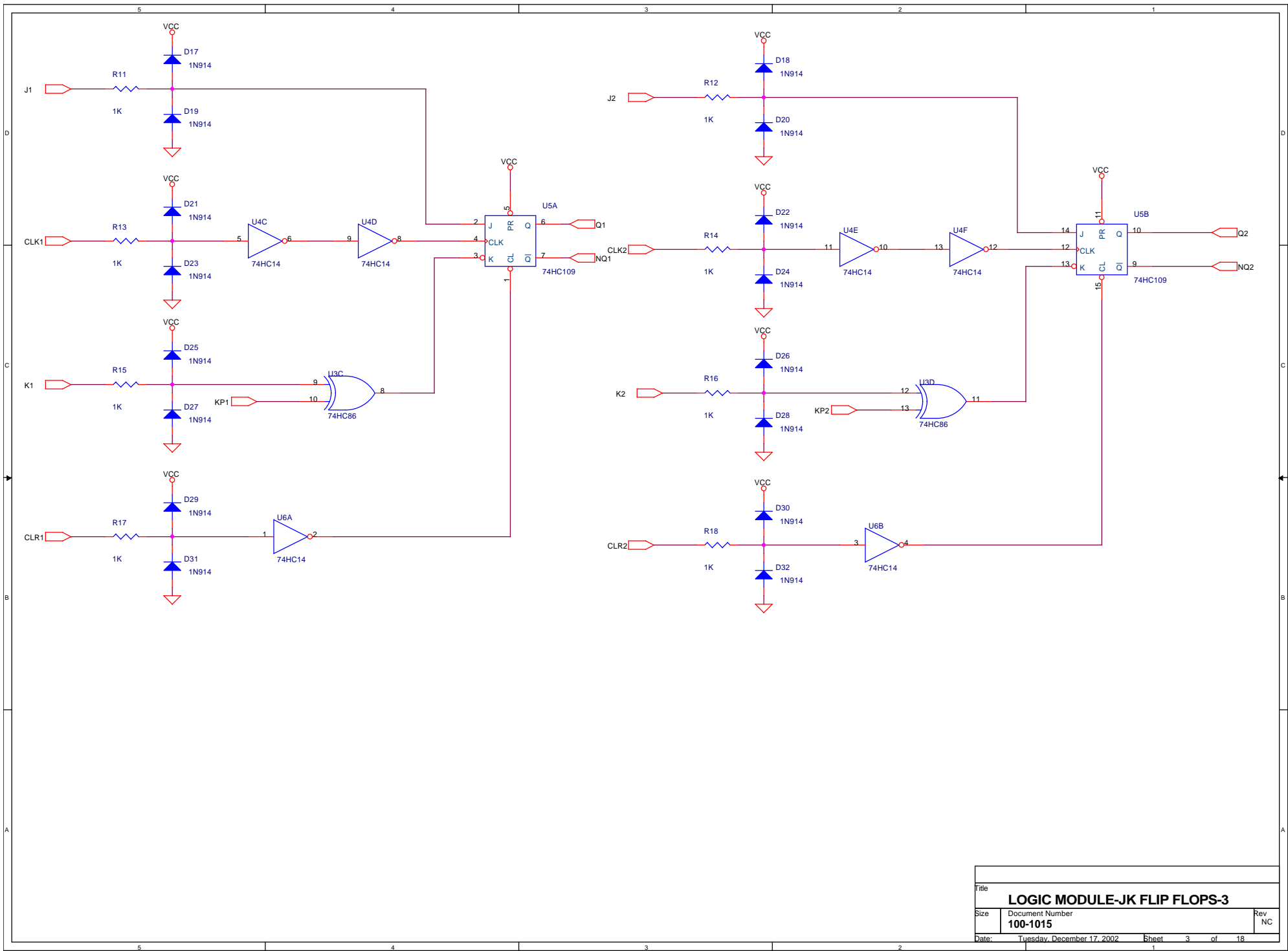


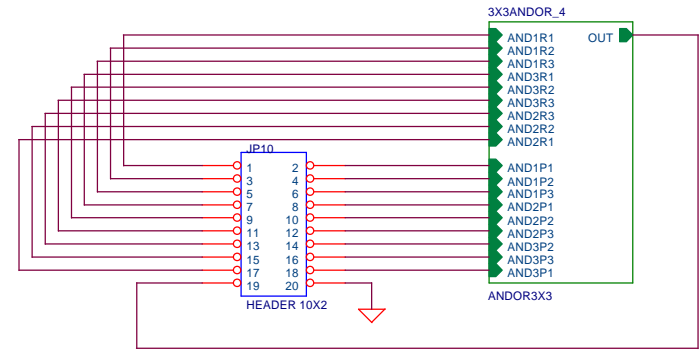
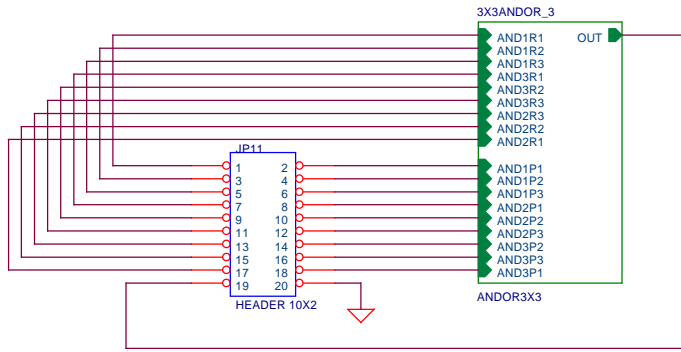
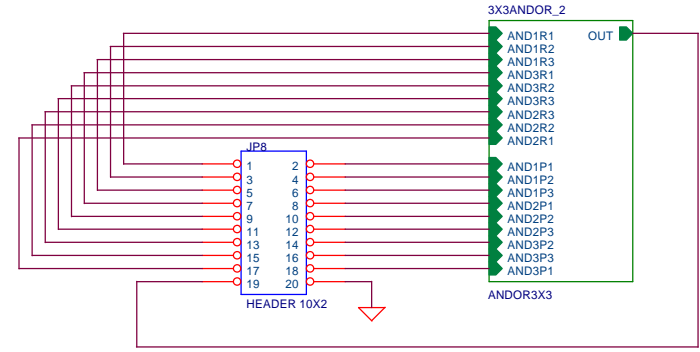
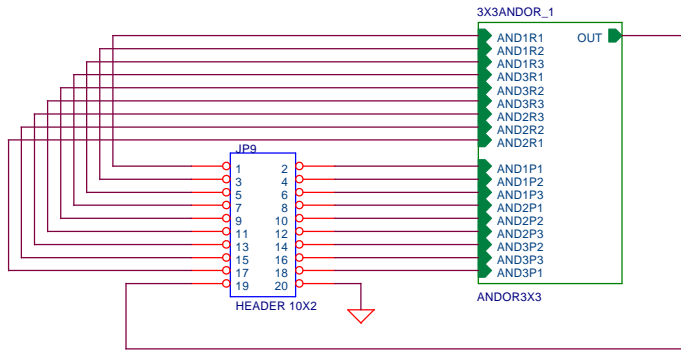
| | | |
|---------------------|-----------------------|---------------|
| Title | | |
| LOGIC MODULE | | |
| Size | Document Number | Rev |
| | 100-1015 | NC |
| Date: | Sunday, June 02, 2002 | Sheet 1 of 18 |



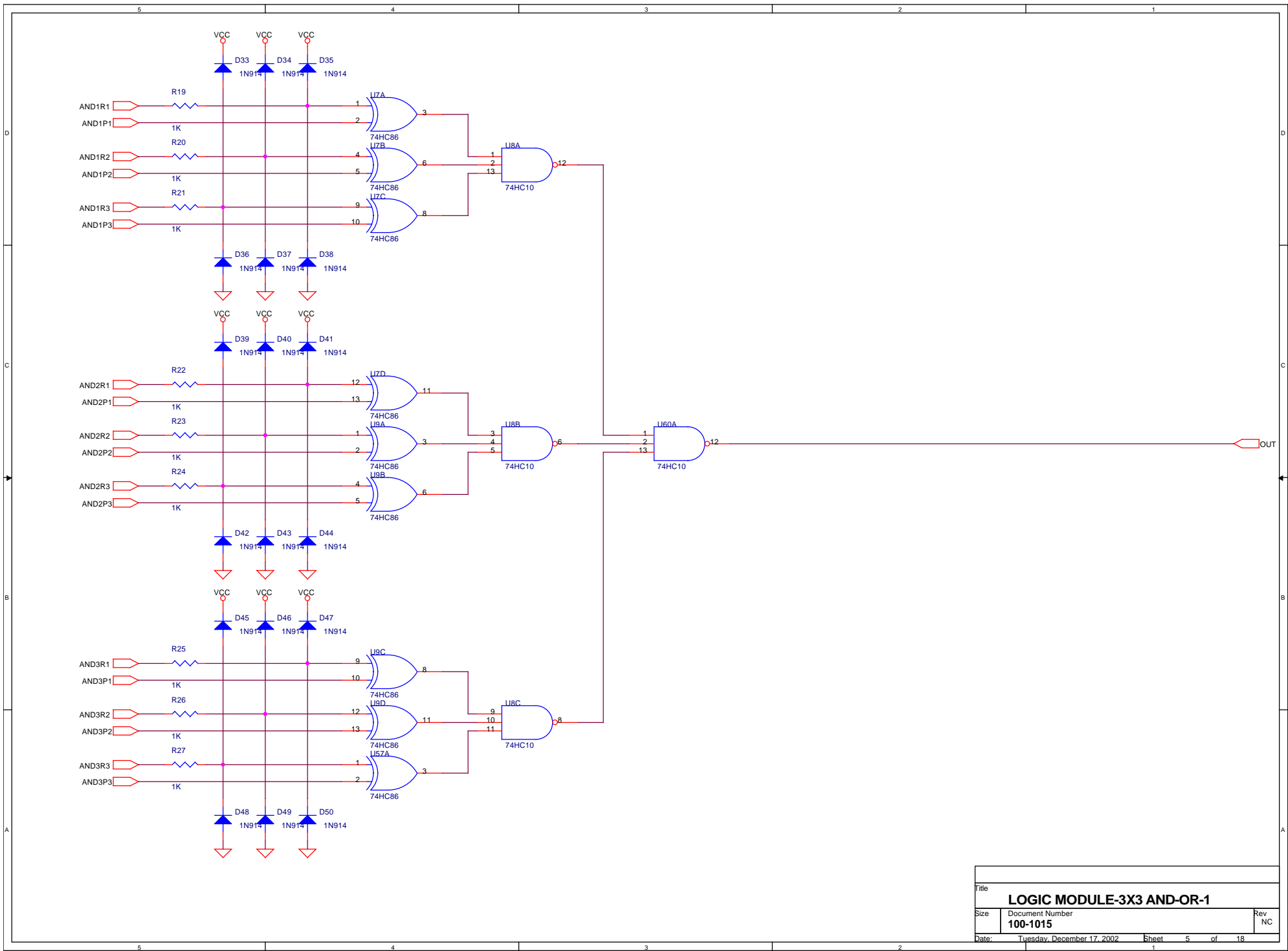
| | | |
|-------------------------------------|----------------------------|---------------|
| Title | | |
| LOGIC MODULE-JK FLIP FLOPS-2 | | |
| Size | Document Number | Rev |
| | 100-1015 | NC |
| Date: | Tuesday, December 17, 2002 | Sheet 2 of 18 |



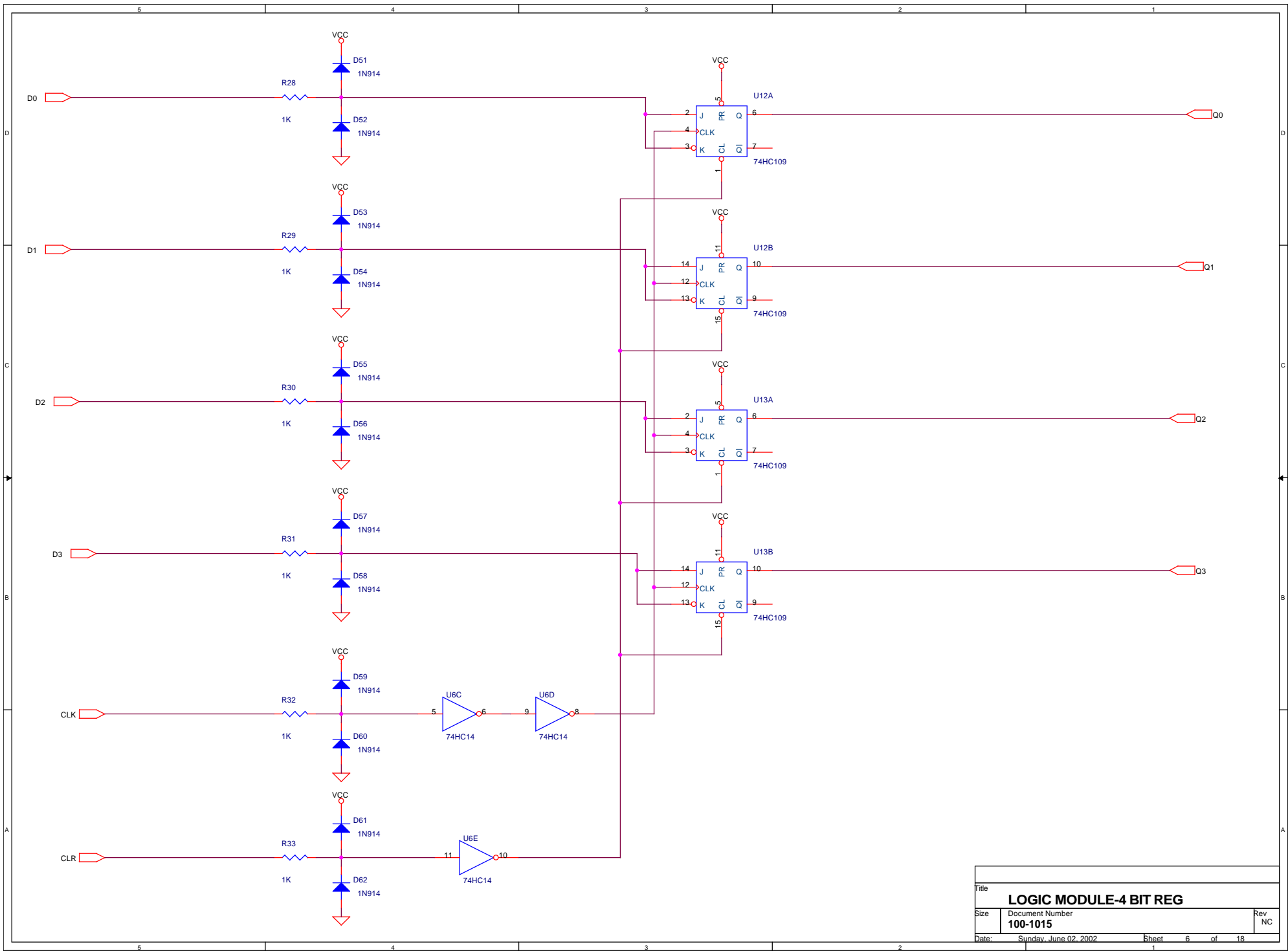
| | | |
|-------------------------------------|----------------------------|---------------|
| Title | | |
| LOGIC MODULE-JK FLIP FLOPS-3 | | |
| Size | Document Number | Rev |
| | 100-1015 | NC |
| Date: | Tuesday, December 17, 2002 | Sheet 3 of 18 |



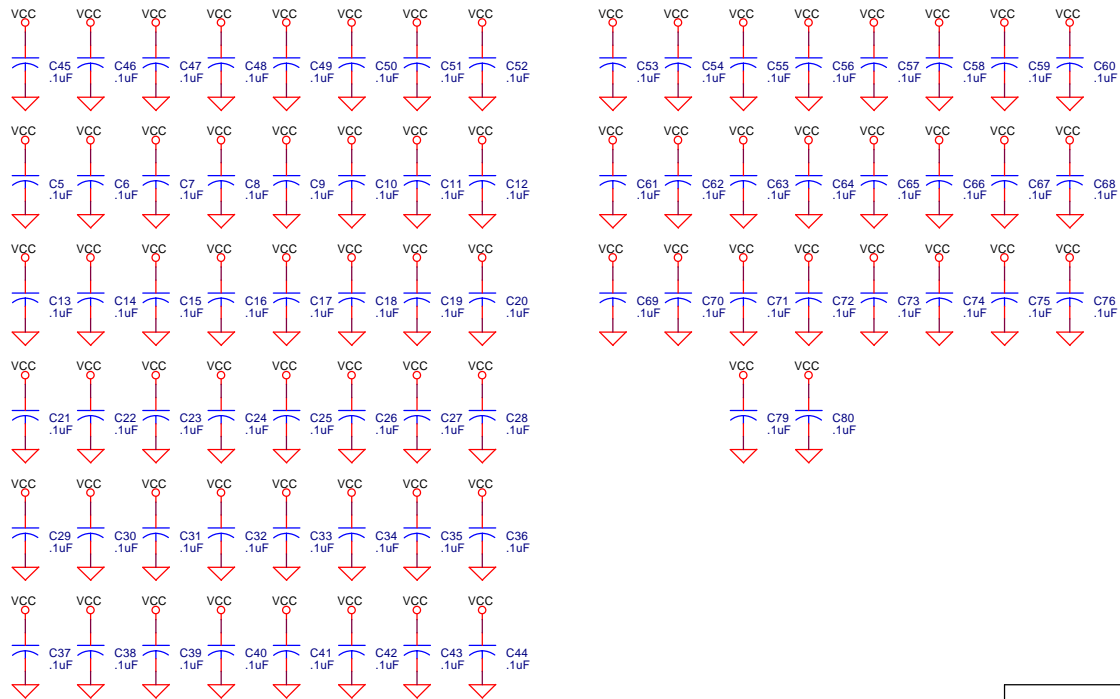
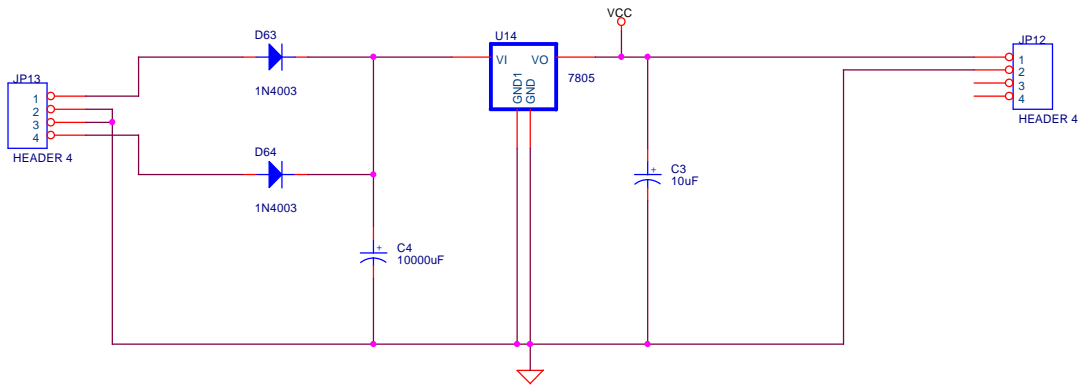
| | | |
|--------------------------------------|-----------------------|---------------|
| Title | | |
| LOGIC MODULE-3X3 AND-OR BLOCK | | |
| Size | Document Number | Rev |
| | 100-1015 | NC |
| Date: | Sunday, June 02, 2002 | Sheet 4 of 18 |



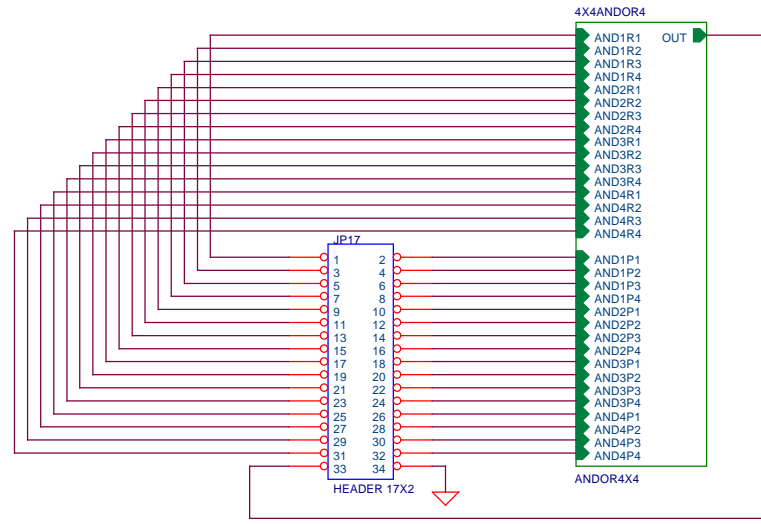
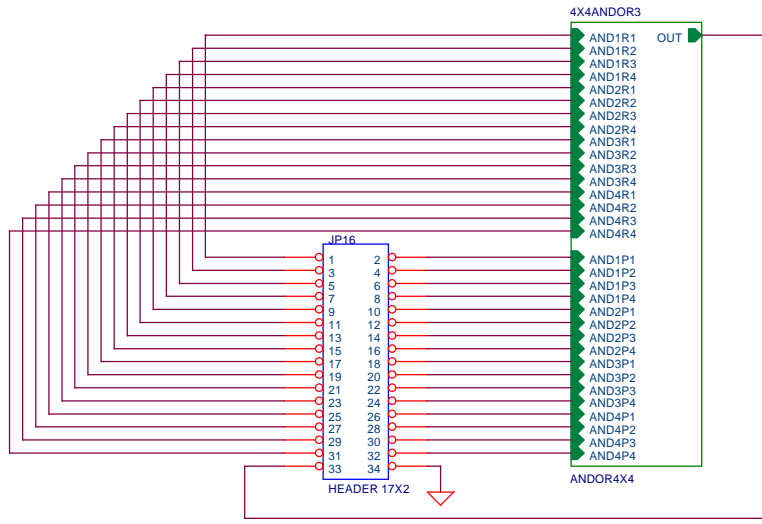
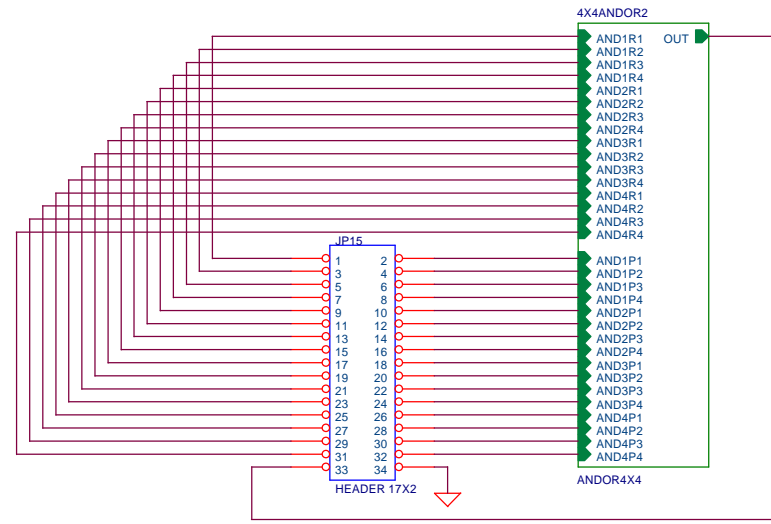
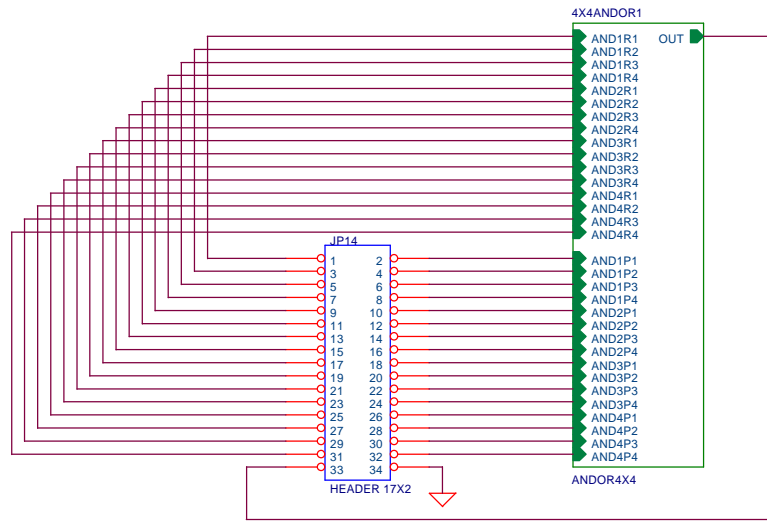
| | | |
|----------------------------------|----------------------------|---------------|
| Title | | |
| LOGIC MODULE-3X3 AND-OR-1 | | |
| Size | Document Number | Rev |
| | 100-1015 | NC |
| Date: | Tuesday, December 17, 2002 | Sheet 5 of 18 |



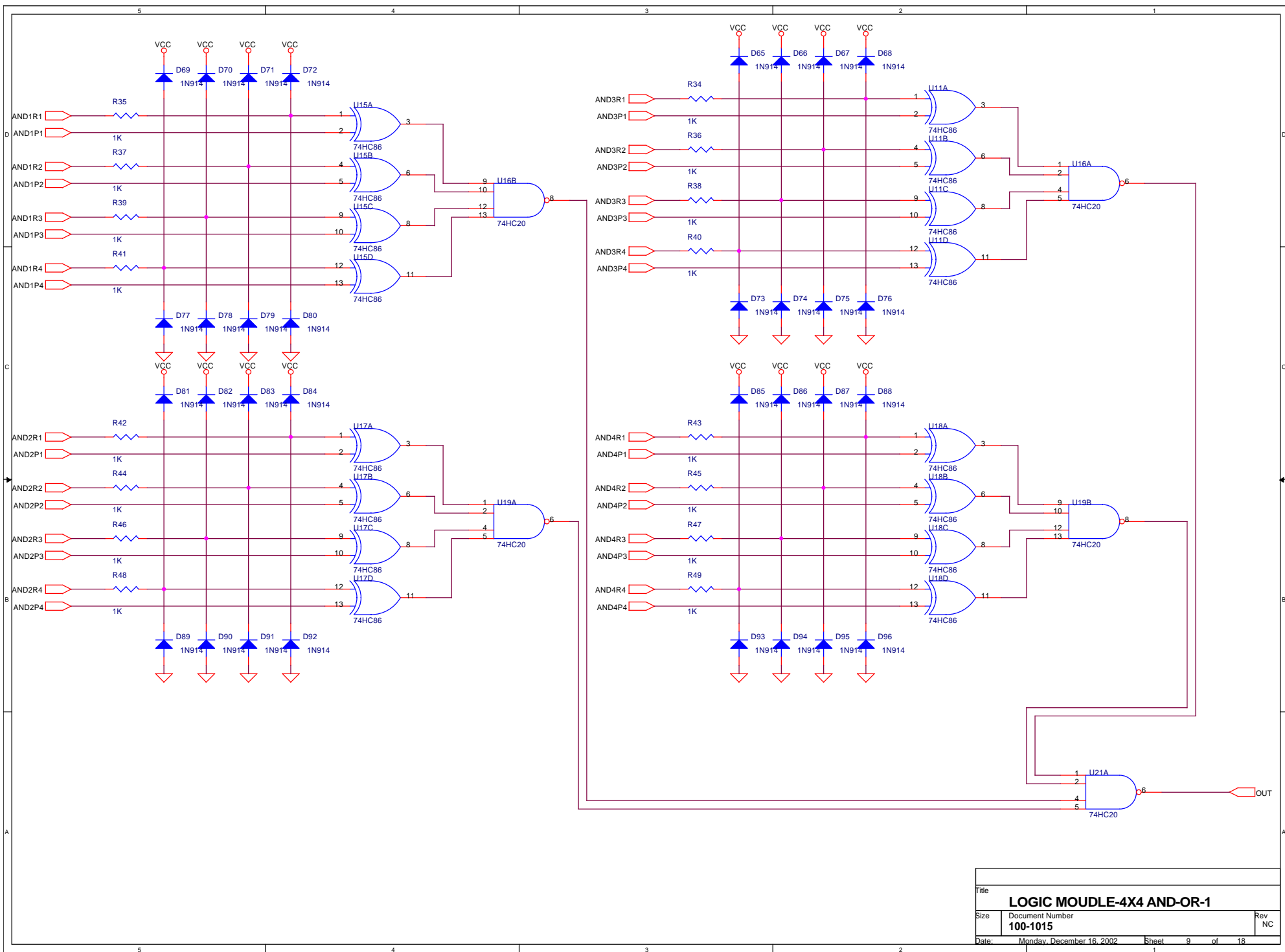
| | | |
|-------------------------------|-----------------------|---------------|
| Title | | |
| LOGIC MODULE-4 BIT REG | | |
| Size | Document Number | Rev |
| | 100-1015 | NC |
| Date: | Sunday, June 02, 2002 | Sheet 6 of 18 |



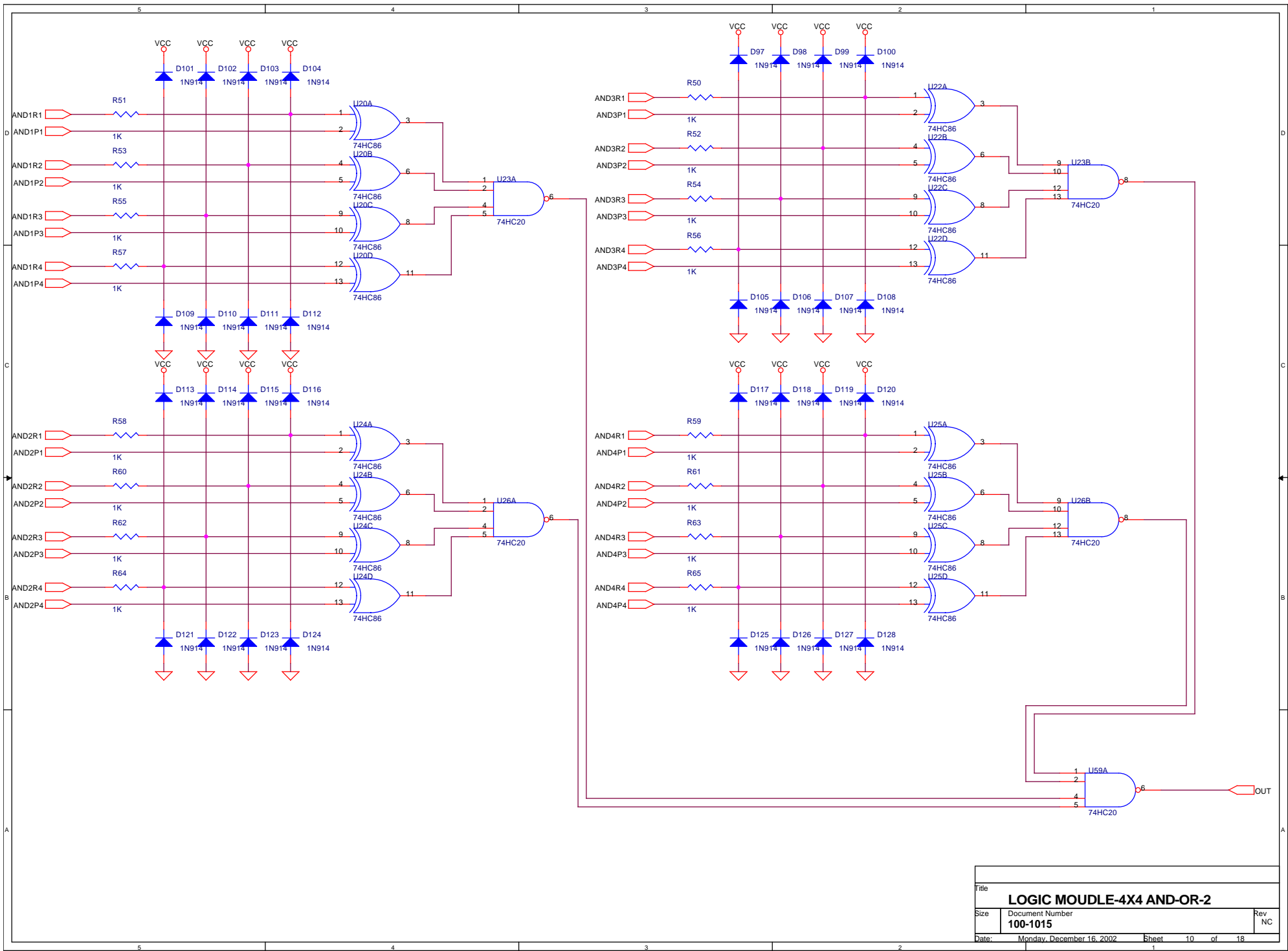
| | | |
|----------------------------------|----------------------------|---------------|
| Title | | |
| LOGIC MODULE-POWER SUPPLY | | |
| Size | Document Number | Rev |
| | 100-1015 | NC |
| Date: | Tuesday, December 17, 2002 | Sheet 7 of 18 |



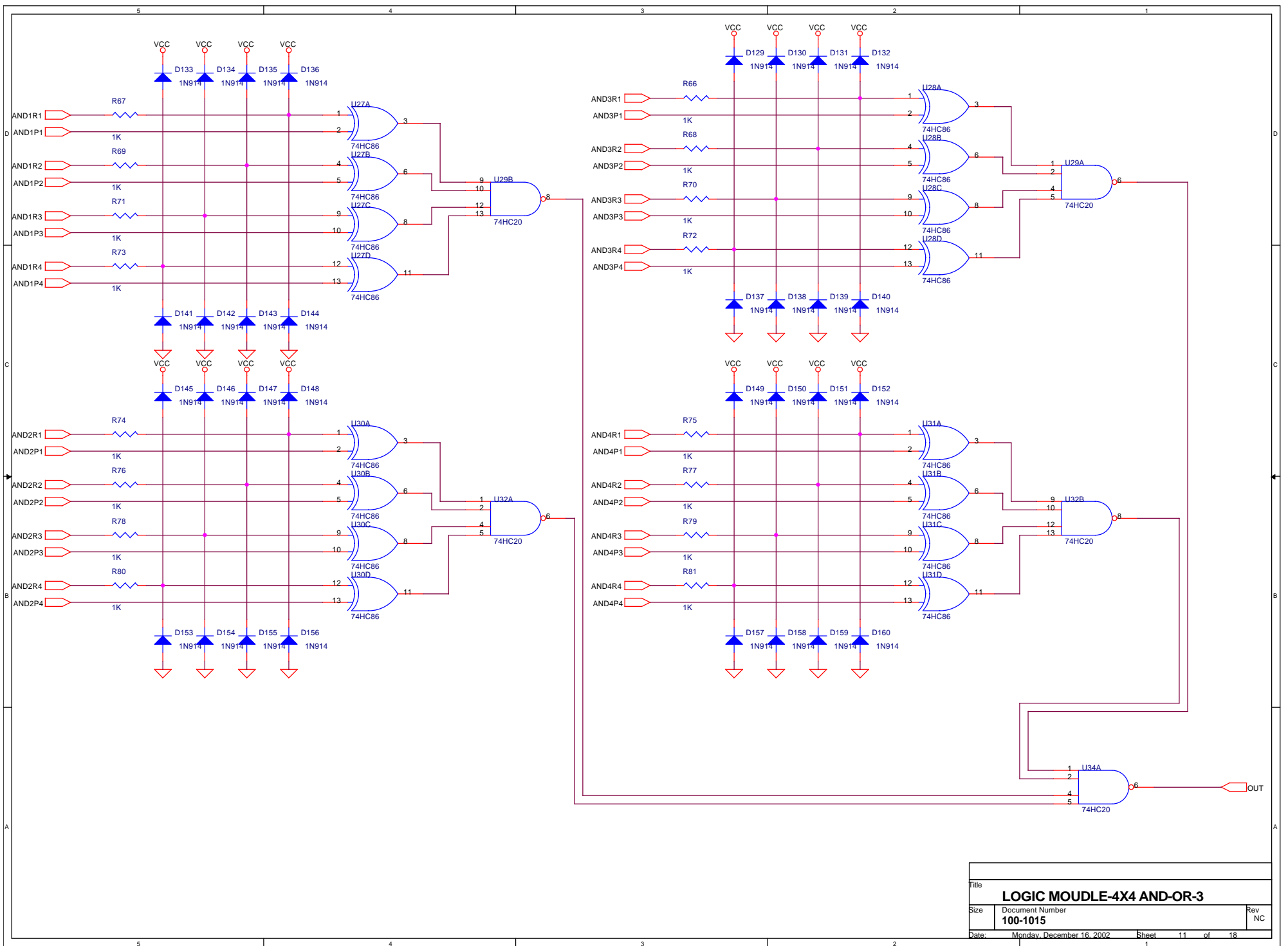
| | | |
|-------------------------------|-----------------------|---------------|
| Title | | |
| 4X4 AND-OR LOGIC BLOCK | | |
| Size | Document Number | Rev |
| | 100-1015 | NC |
| Date: | Sunday, June 02, 2002 | Sheet 8 of 18 |



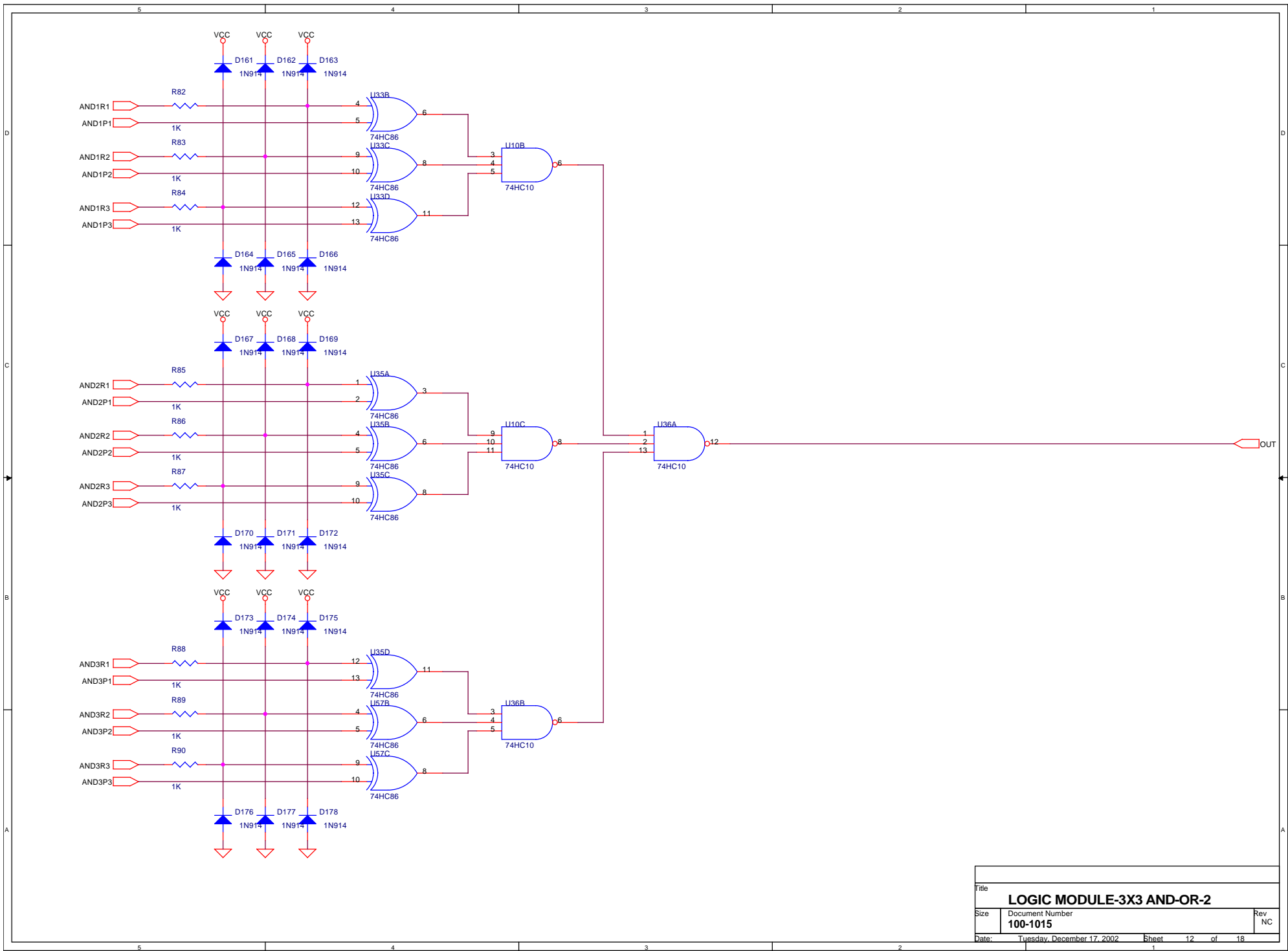
| | | |
|----------------------------------|---------------------------|---------------|
| Title | | |
| LOGIC MOUDLE-4X4 AND-OR-1 | | |
| Size | Document Number | Rev |
| | 100-1015 | NC |
| Date: | Monday, December 16, 2002 | Sheet 9 of 18 |



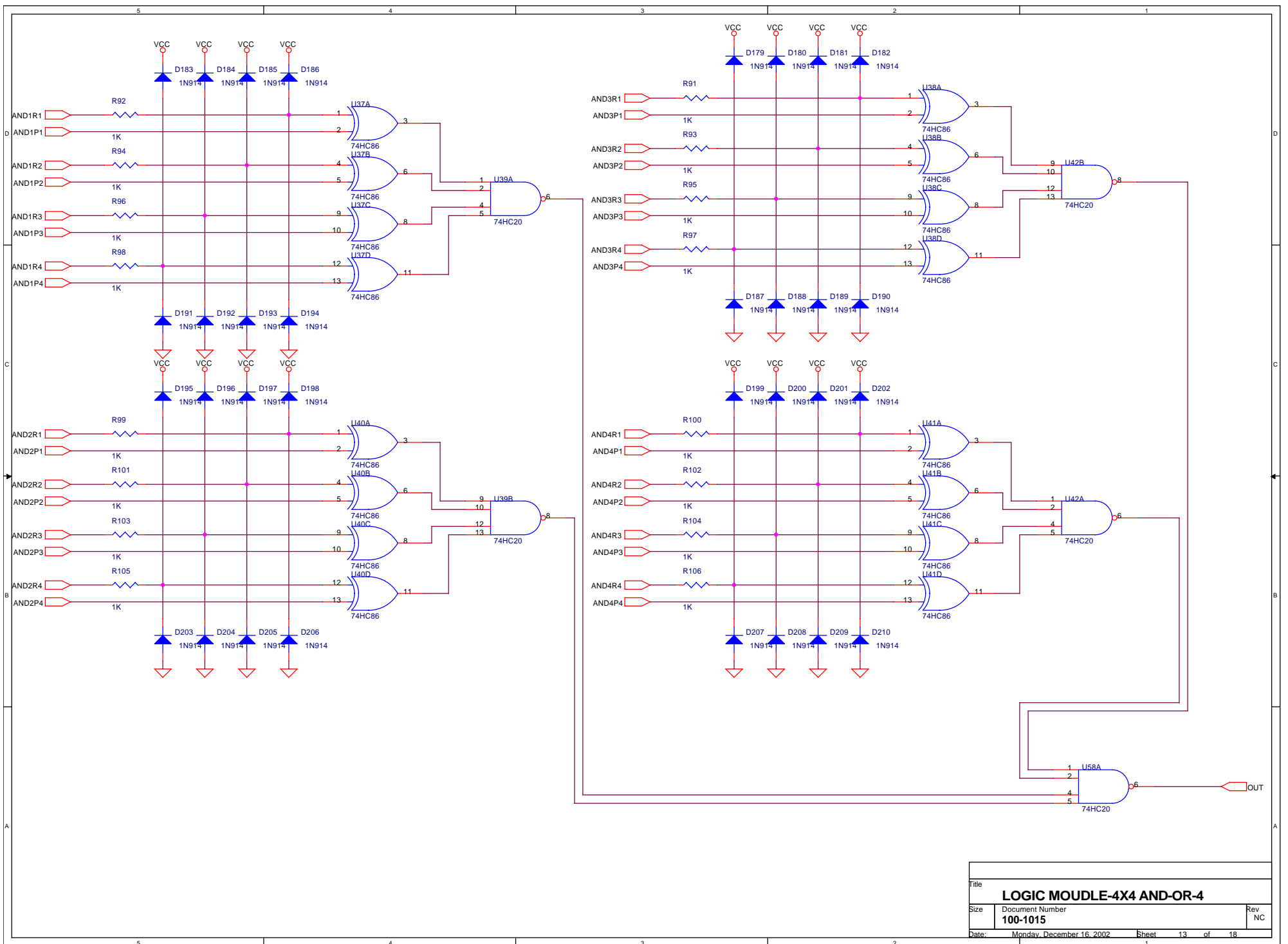
| | | |
|----------------------------------|---------------------------|----------------|
| Title | | |
| LOGIC MOUDLE-4X4 AND-OR-2 | | |
| Size | Document Number | Rev |
| | 100-1015 | NC |
| Date: | Monday, December 16, 2002 | Sheet 10 of 18 |



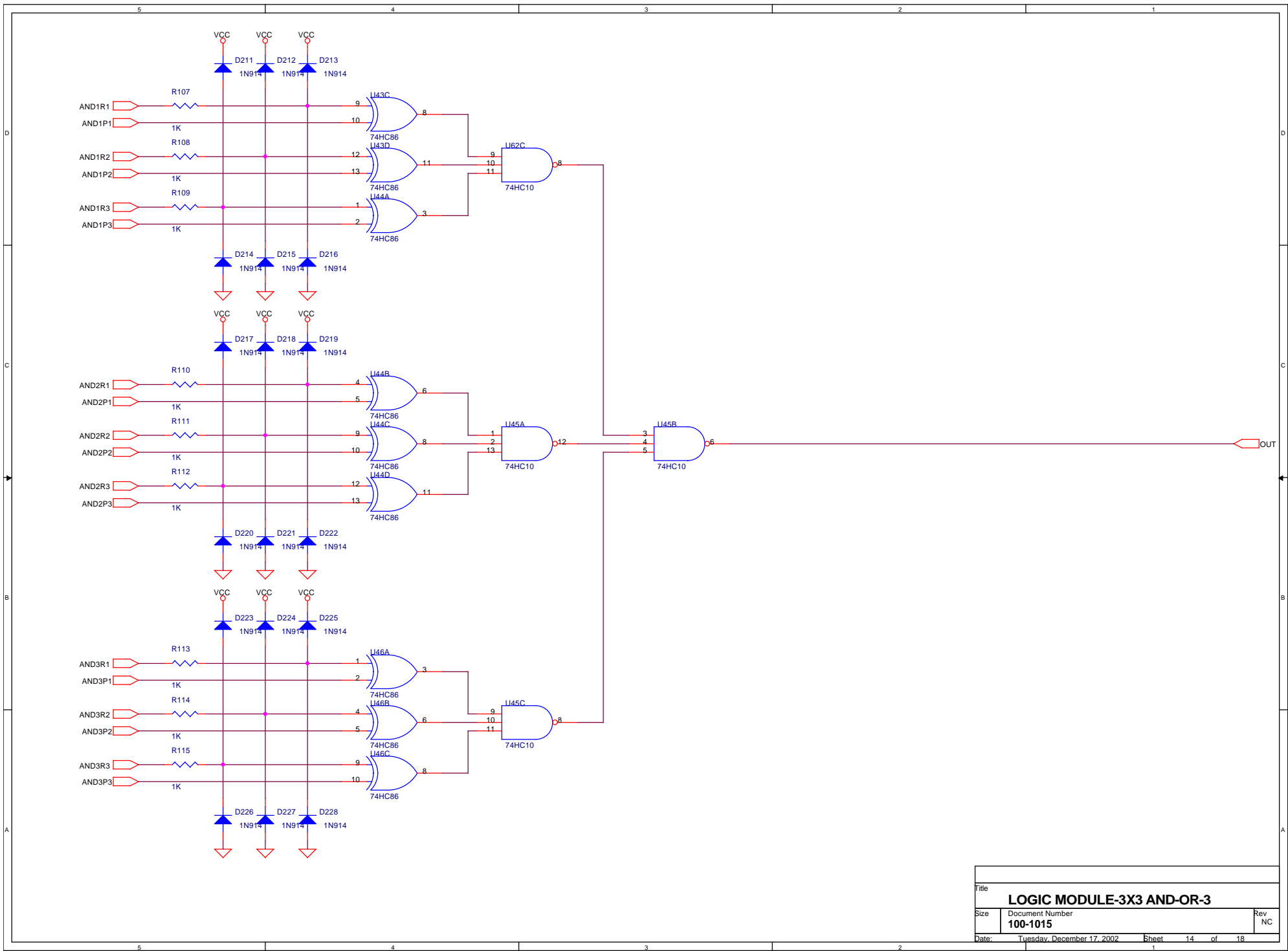
| | | |
|----------------------------------|---------------------------|----------------|
| Title | | |
| LOGIC MOUDLE-4X4 AND-OR-3 | | |
| Size | Document Number | Rev |
| | 100-1015 | NC |
| Date: | Monday, December 16, 2002 | Sheet 11 of 18 |



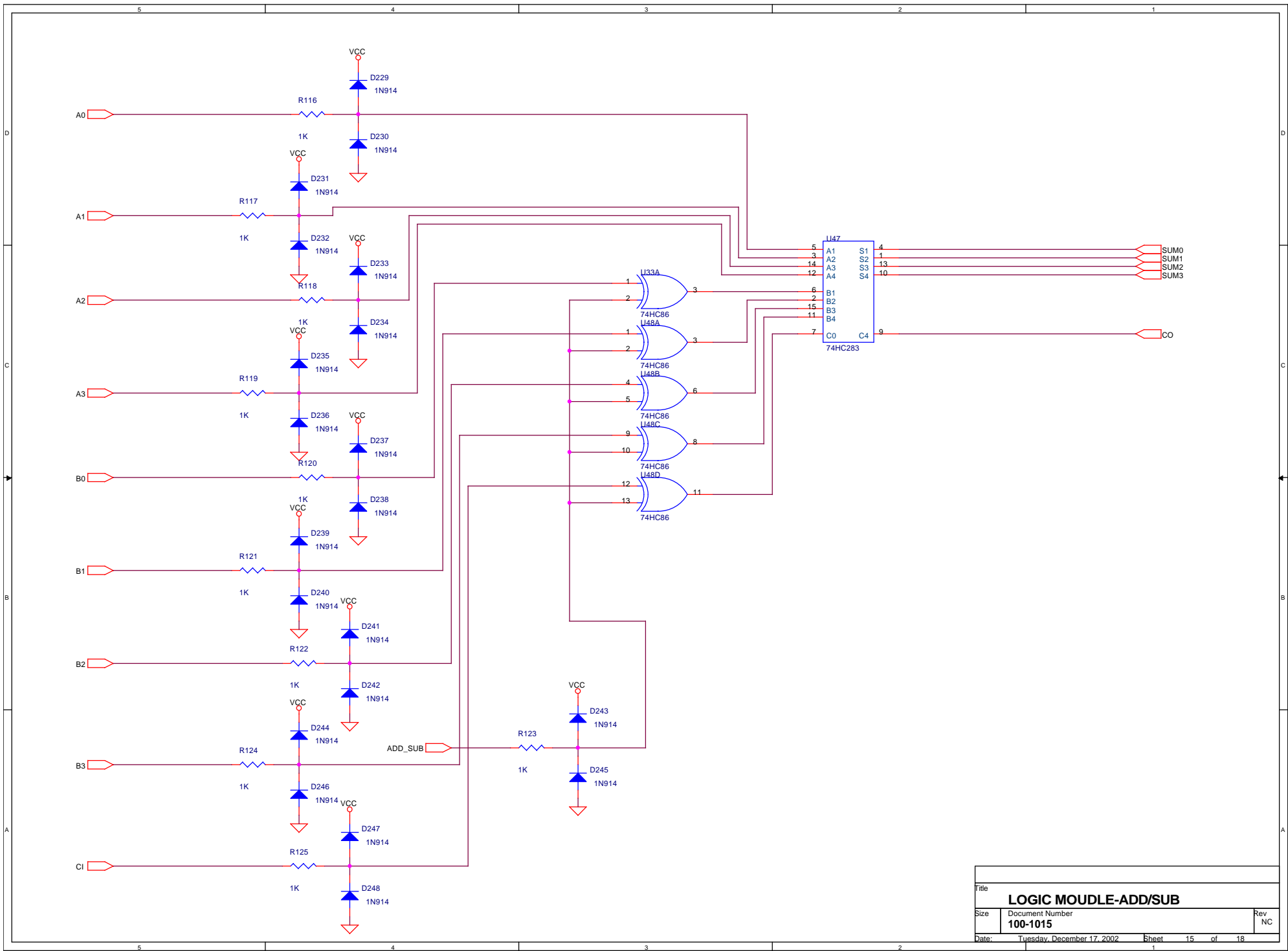
| | | |
|----------------------------------|----------------------------|----------------|
| Title | | |
| LOGIC MODULE-3X3 AND-OR-2 | | |
| Size | Document Number | Rev |
| | 100-1015 | NC |
| Date: | Tuesday, December 17, 2002 | Sheet 12 of 18 |



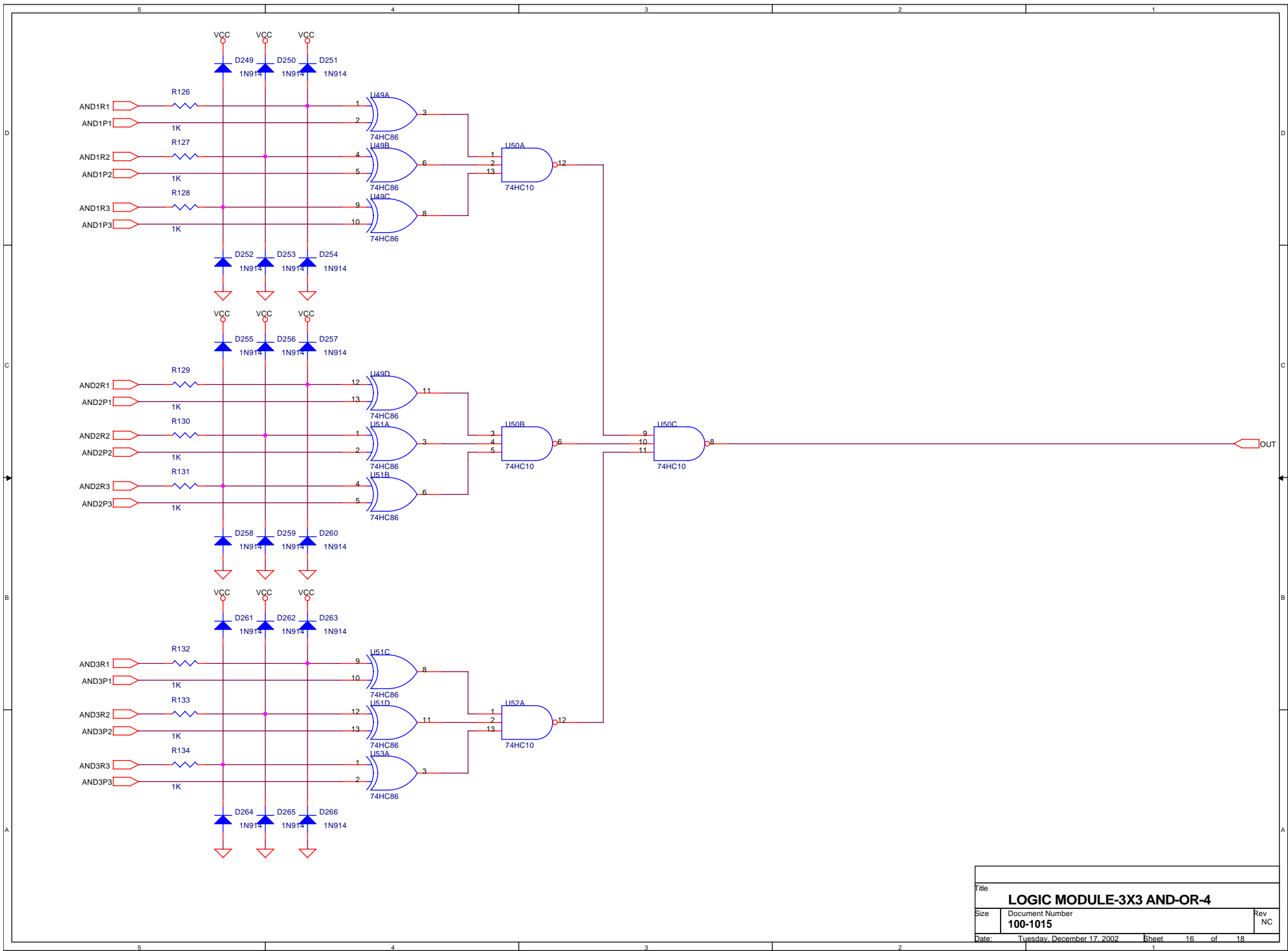
| | | |
|----------------------------------|---------------------------|----------------|
| Title | | |
| LOGIC MOUDLE-4X4 AND-OR-4 | | |
| Size | Document Number | Rev |
| | 100-1015 | NC |
| Date: | Monday, December 16, 2002 | Sheet 13 of 18 |



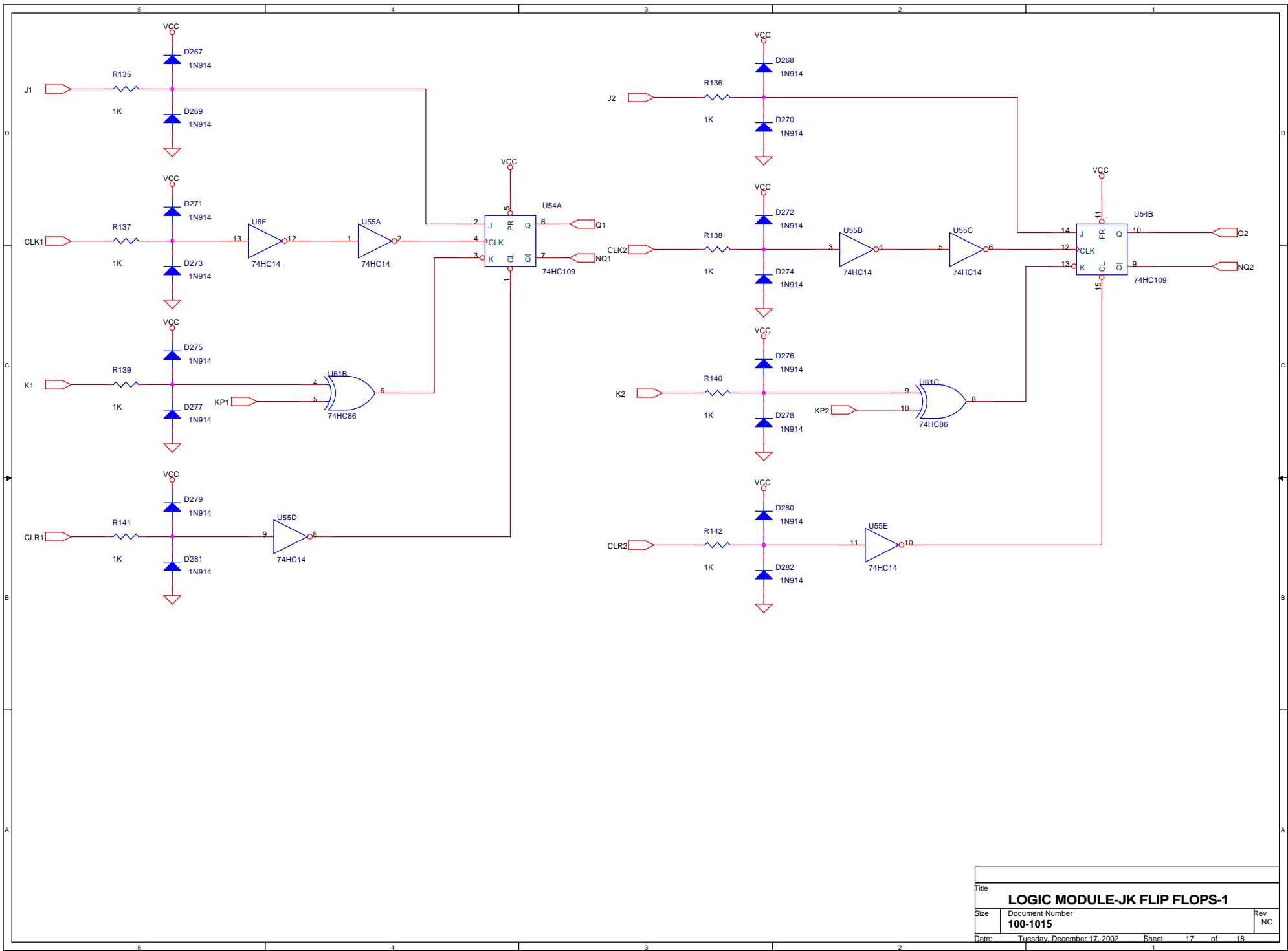
| | | |
|----------------------------------|----------------------------|----------------|
| Title | | |
| LOGIC MODULE-3X3 AND-OR-3 | | |
| Size | Document Number | Rev |
| | 100-1015 | NC |
| Date: | Tuesday, December 17, 2002 | Sheet 14 of 18 |



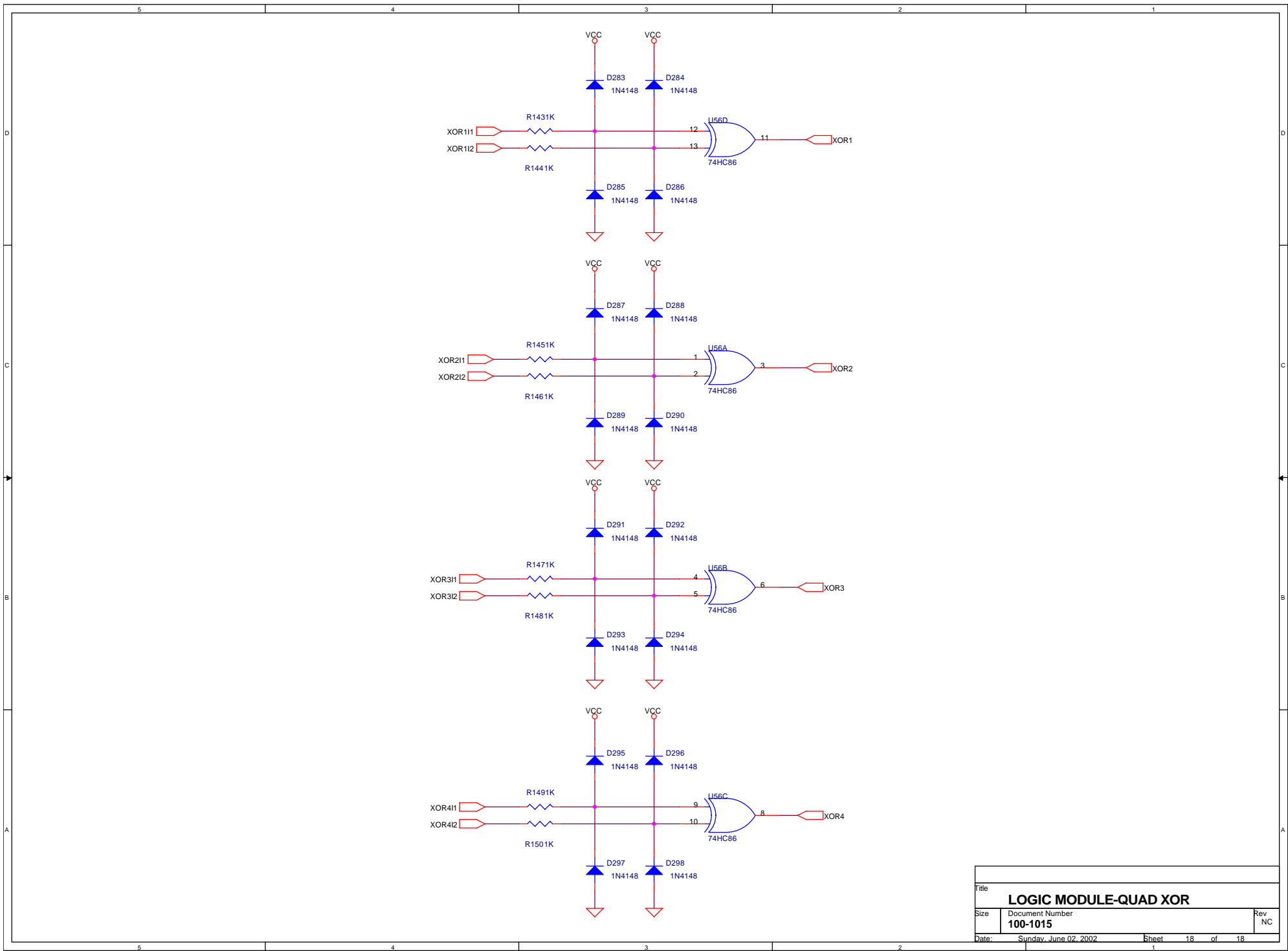
| | | |
|-----------------------------|----------------------------|----------------|
| Title | | |
| LOGIC MOUDLE-ADD/SUB | | |
| Size | Document Number | Rev |
| | 100-1015 | NC |
| Date: | Tuesday, December 17, 2002 | Sheet 15 of 18 |



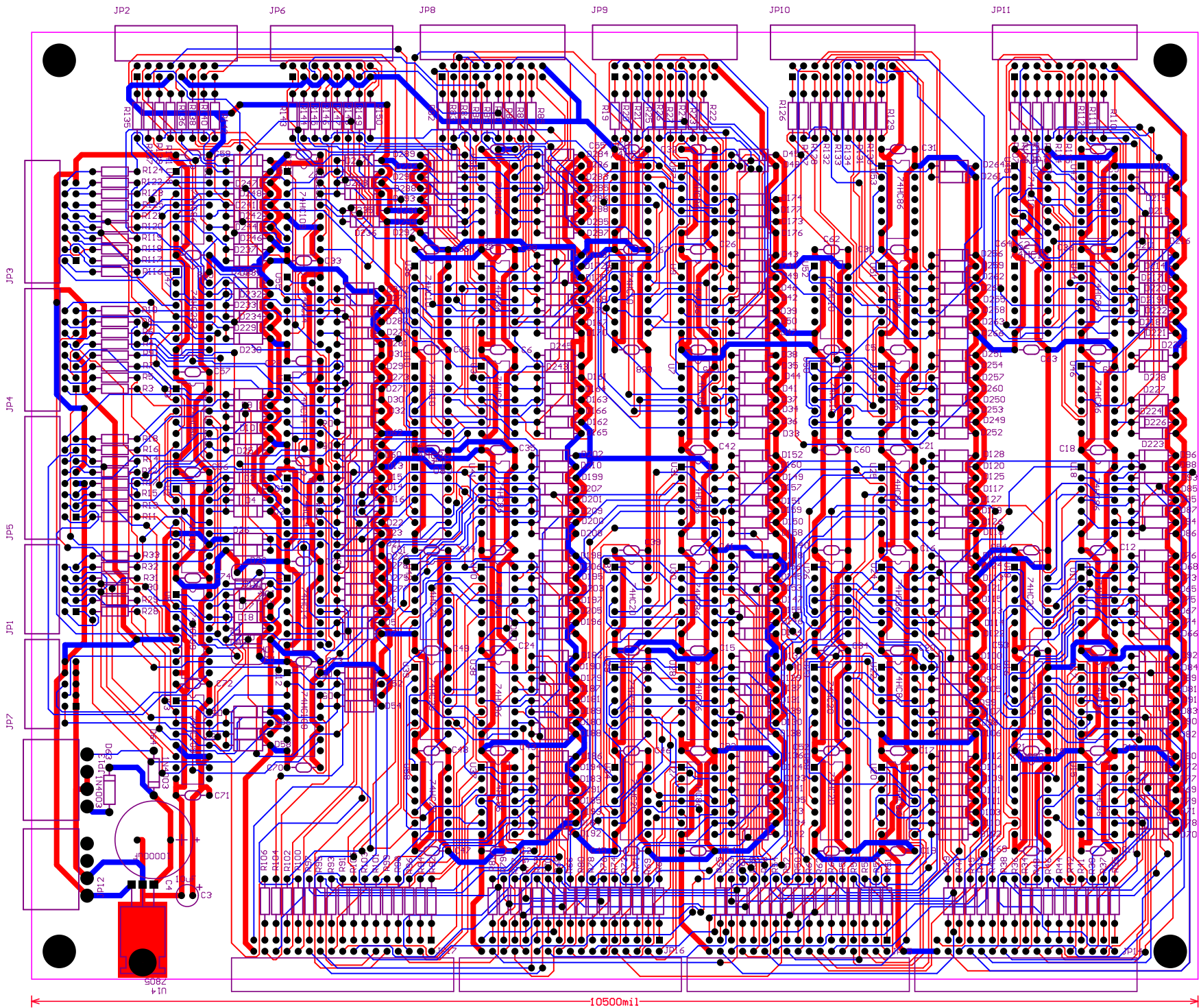
| | | |
|----------------------------------|----------------------------|----------------|
| Title | | |
| LOGIC MODULE-3X3 AND-OR-4 | | |
| Size | Document Number | Rev |
| | 100-1015 | NC |
| Date: | Tuesday, December 17, 2002 | Sheet 16 of 18 |



| | | |
|-------------------------------------|----------------------------|----------------|
| Title | | |
| LOGIC MODULE-JK FLIP FLOPS-1 | | |
| Size | Document Number | Rev |
| | 100-1015 | NC |
| Date: | Tuesday, December 17, 2002 | Sheet 17 of 18 |



| | | |
|------------------------------|-----------------------|----------------|
| Title | | |
| LOGIC MODULE-QUAD XOR | | |
| Size | Document Number | Rev |
| | 100-1015 | NC |
| Date: | Sunday, June 02, 2002 | Sheet 18 of 18 |



8500m11

10500m11

5082
11