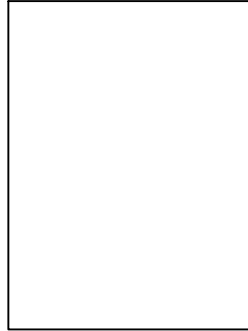


DIVIDERS



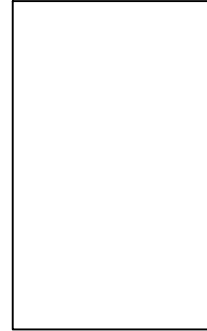
dividers

MASTER CLOCK



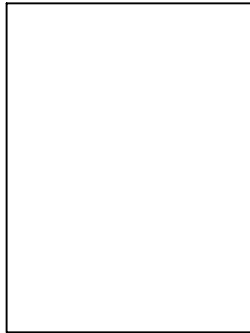
master clock

AUX



misc

LOGIC



logic

LOGICSWITCHES



LOGICSWITCHES

Title		
MIKADO ANALOG SEQUENCER-BOARD 2		
Size	Document Number	Rev
A	100-1013	
Date:	Sunday, April 21, 2002	Sheet 1 of 10
	2	1

D

C

B

A

D

C

B

A

5

4

3

2

1

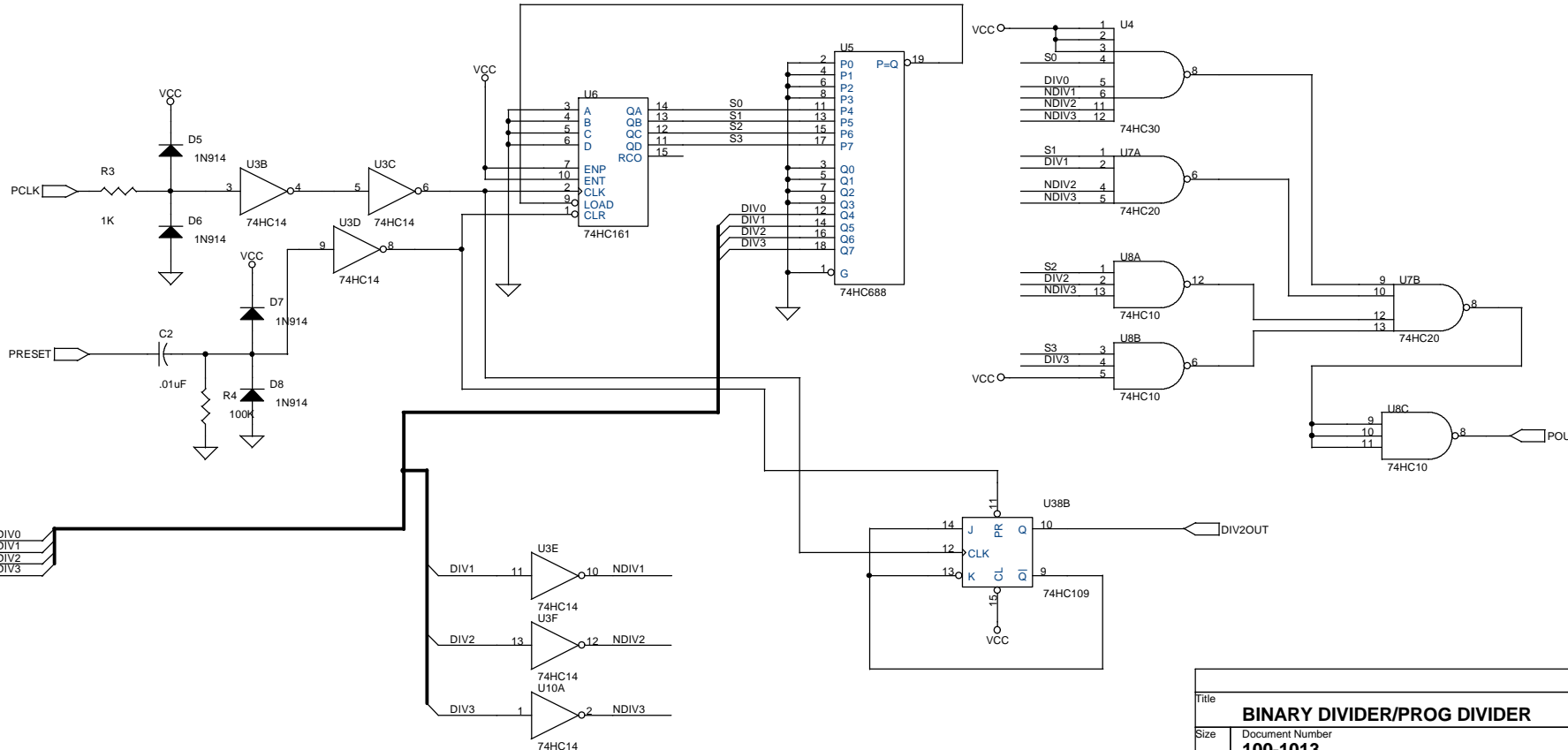
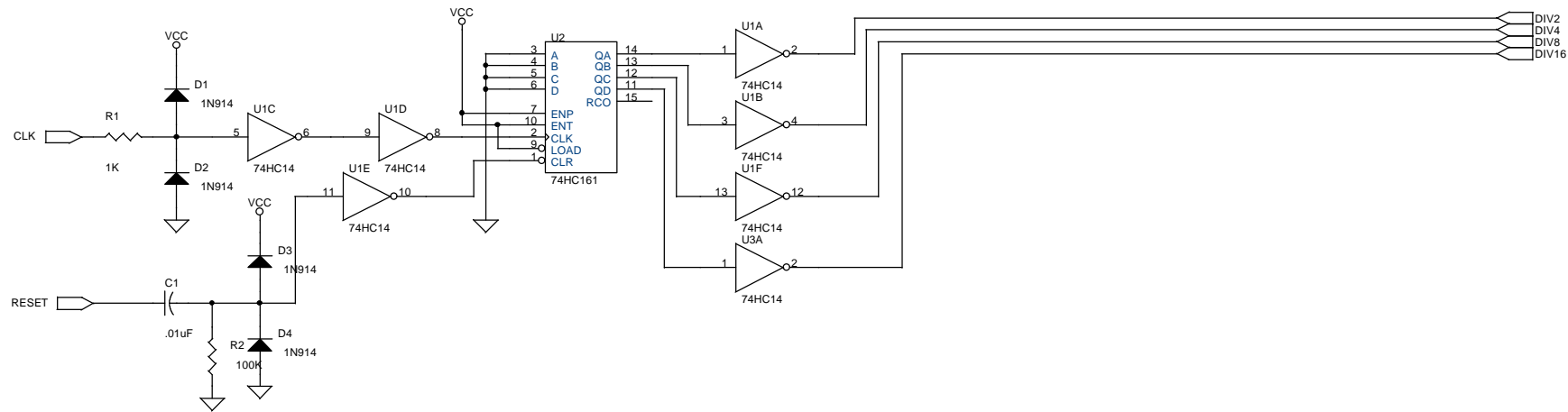
5

4

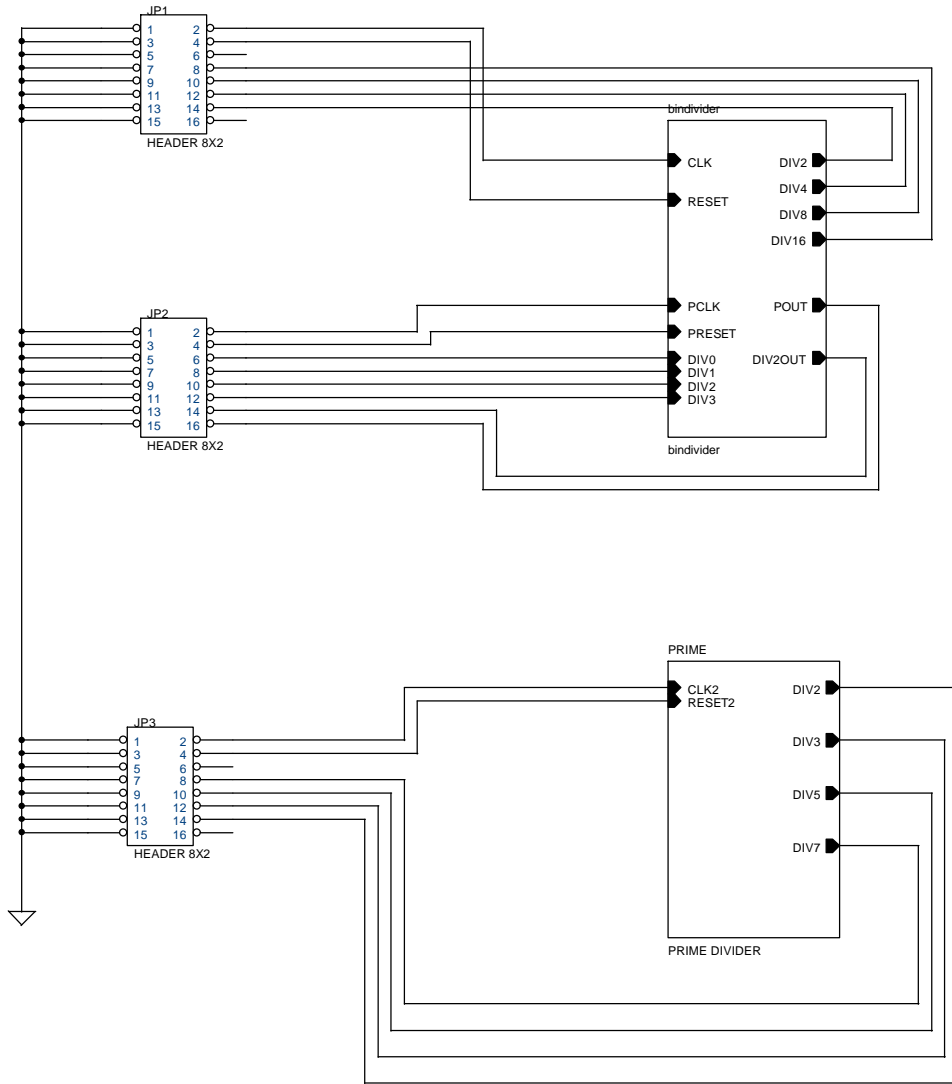
3

2

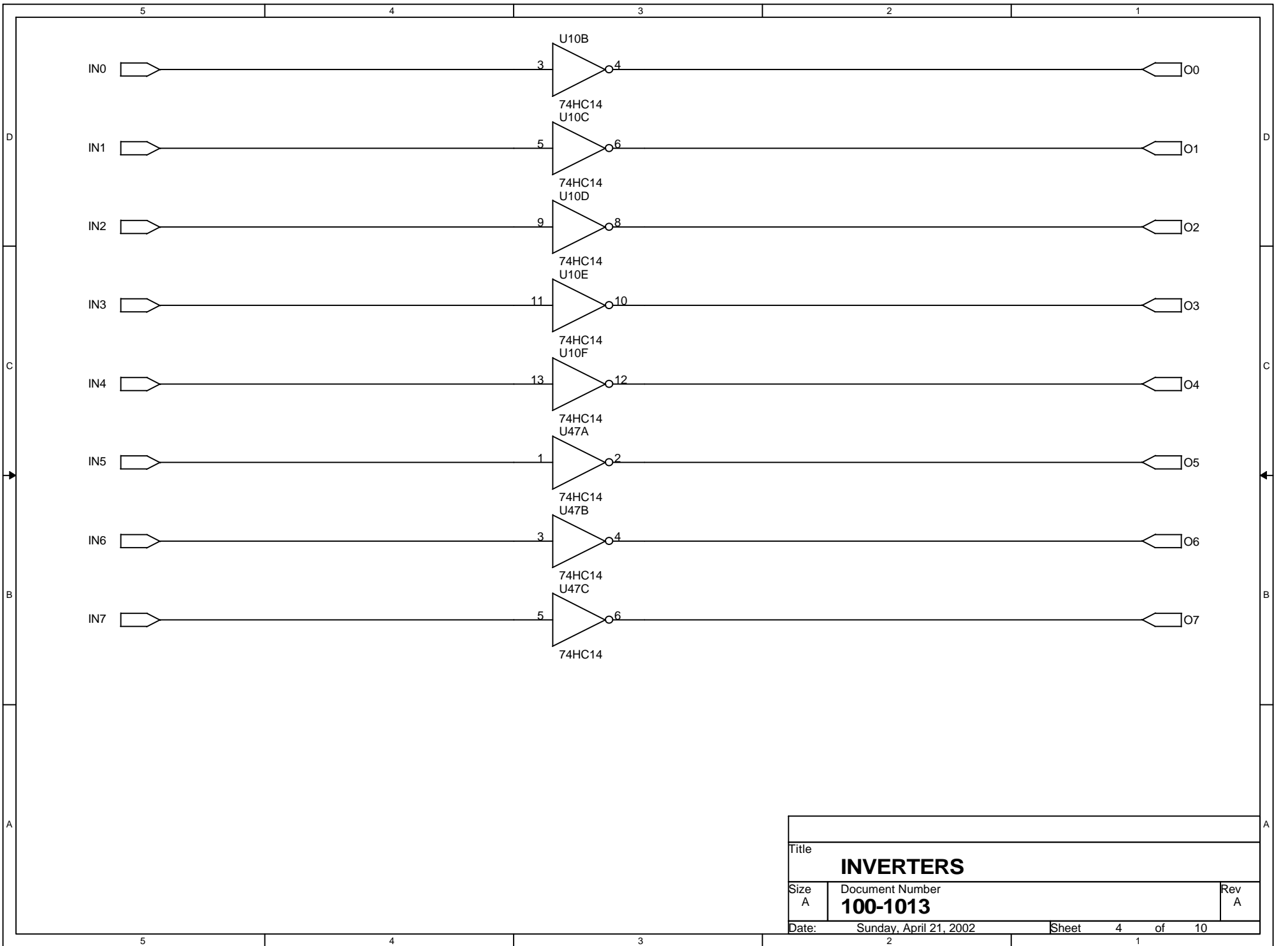
1



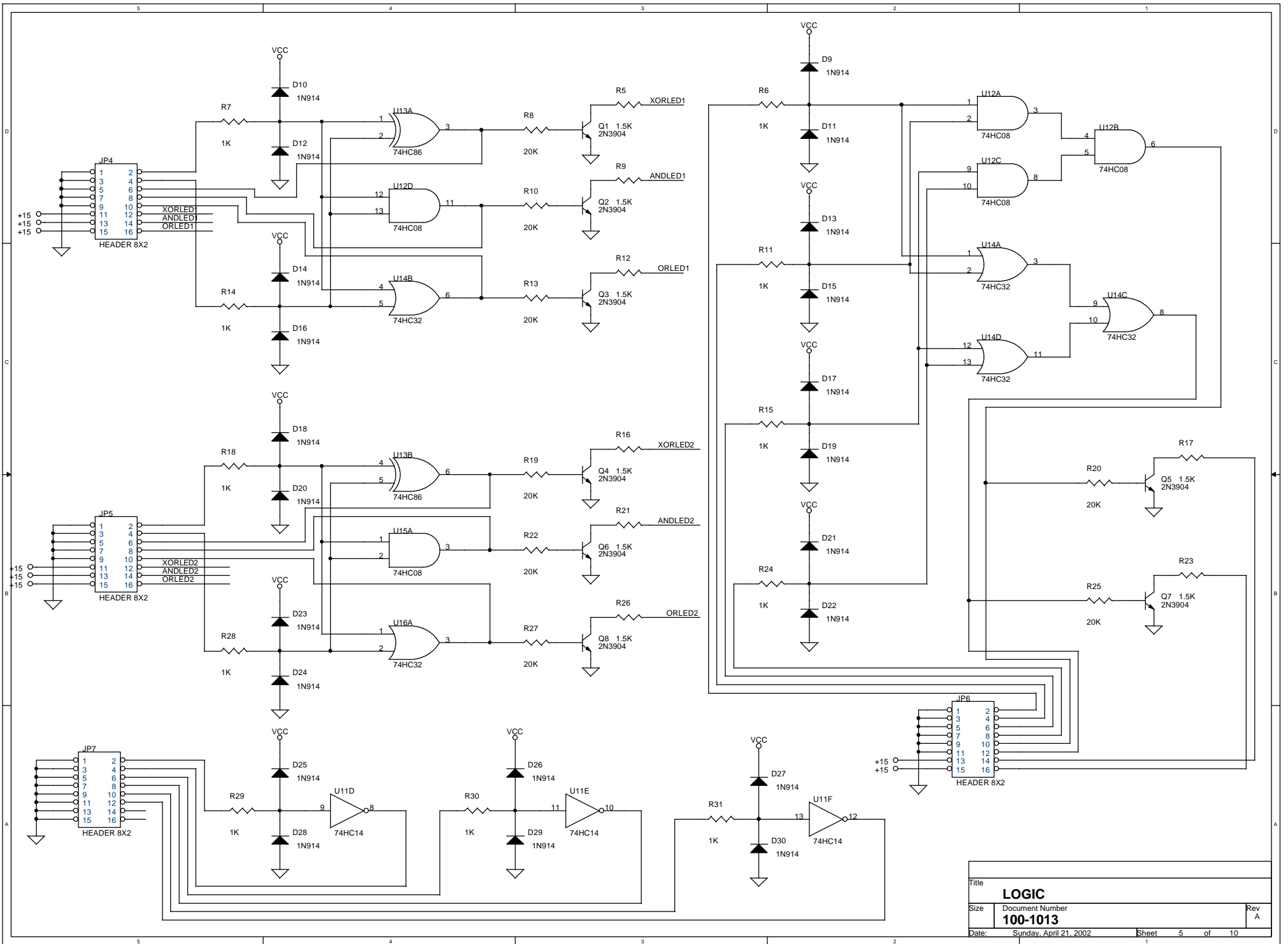
Title		
BINARY DIVIDER/PROG DIVIDER		
Size	Document Number	Rev
	100-1013	A
Date:	Sunday, April 21, 2002	Sheet 2 of 10



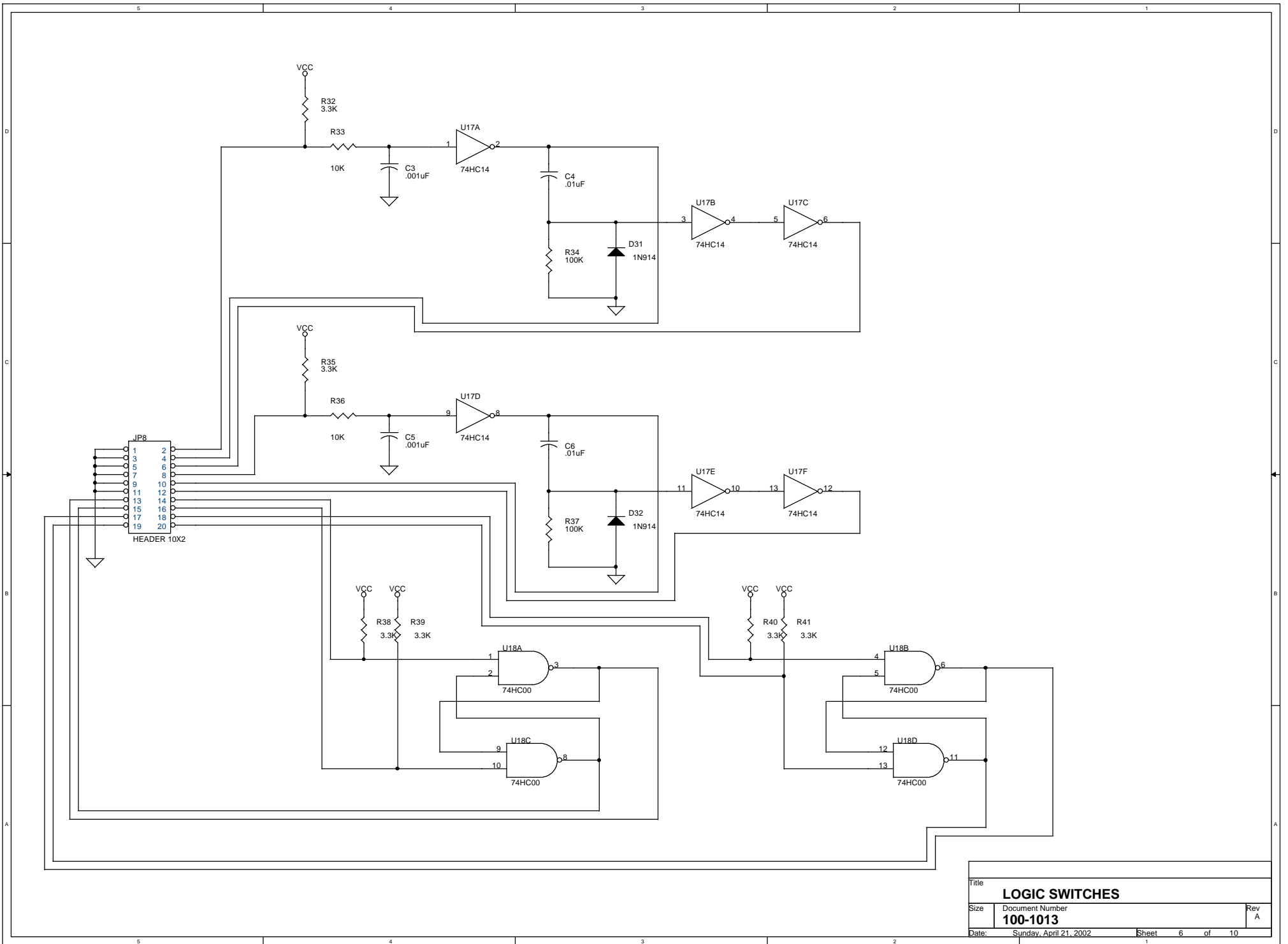
Title		
DIVIDERS		
Size	Document Number	Rev
	100-1013	A
Date:	Sunday, April 21, 2002	Sheet 3 of 10



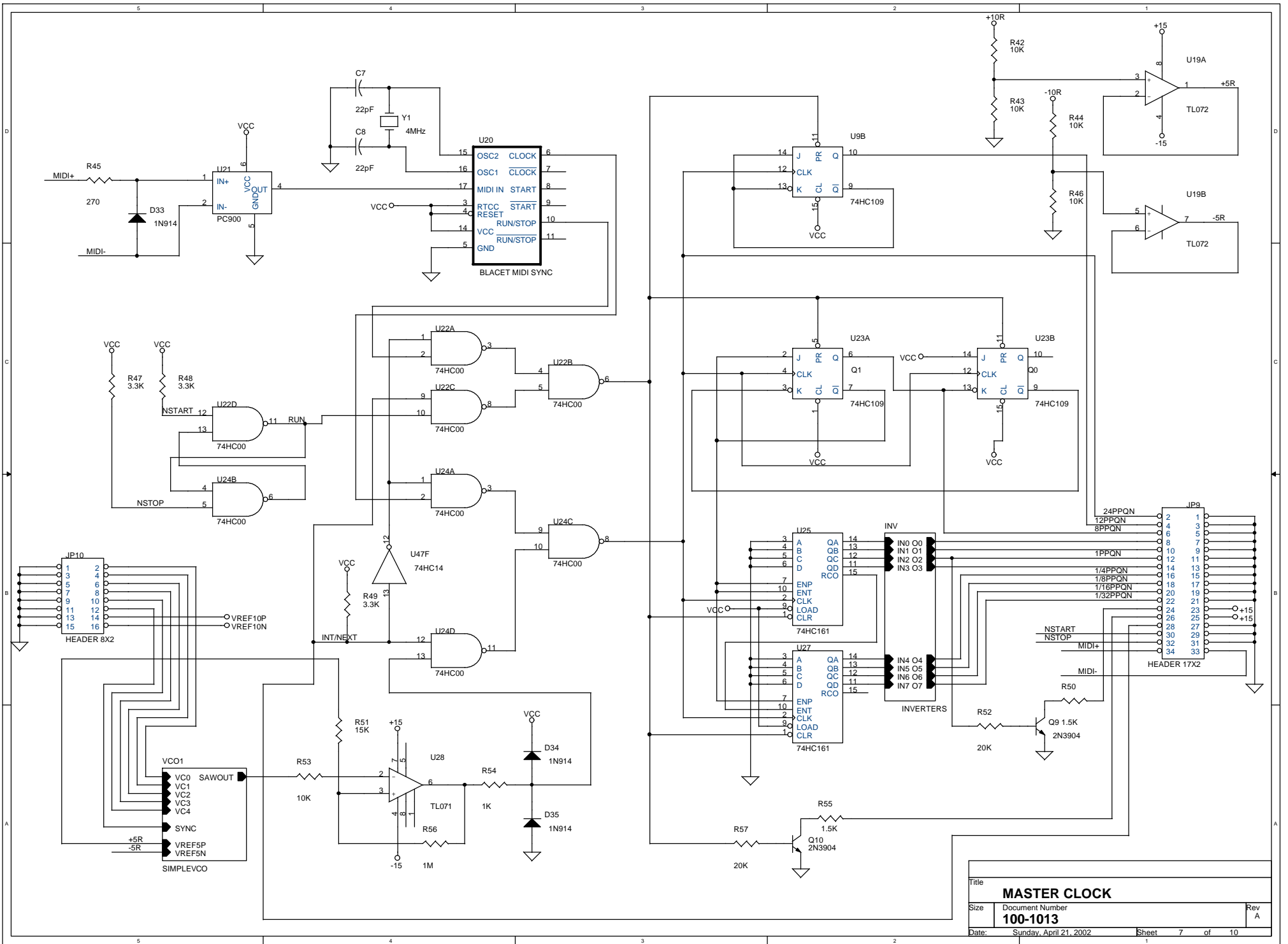
Title		
INVERTERS		
Size A	Document Number 100-1013	Rev A
Date:	Sunday, April 21, 2002	Sheet 4 of 10



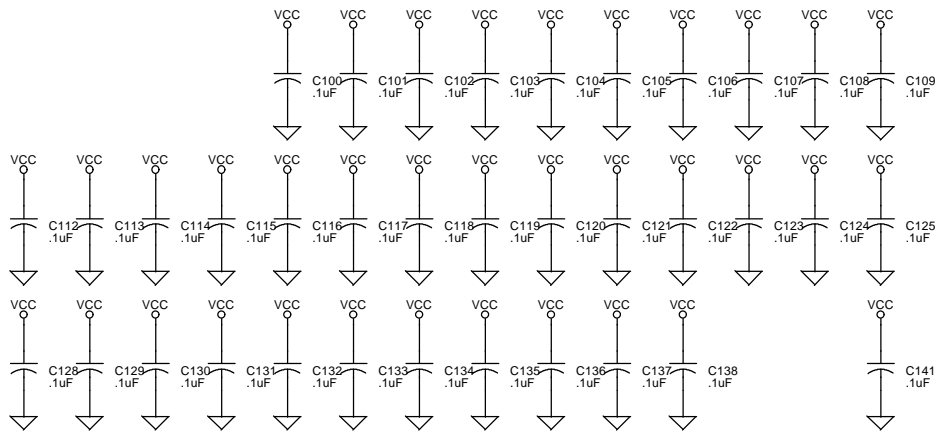
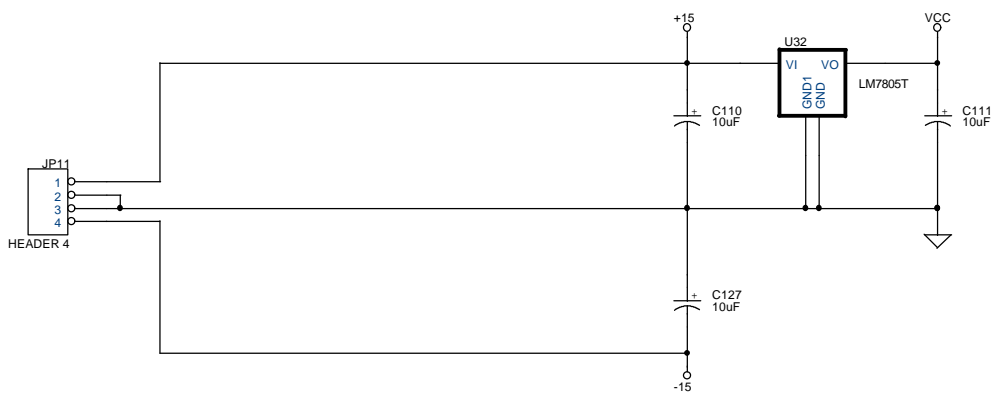
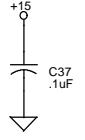
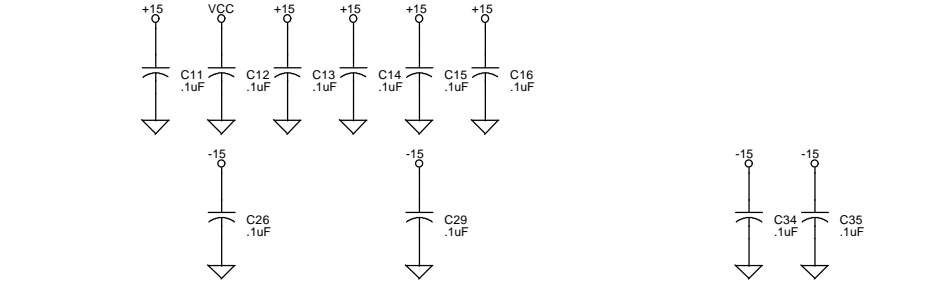
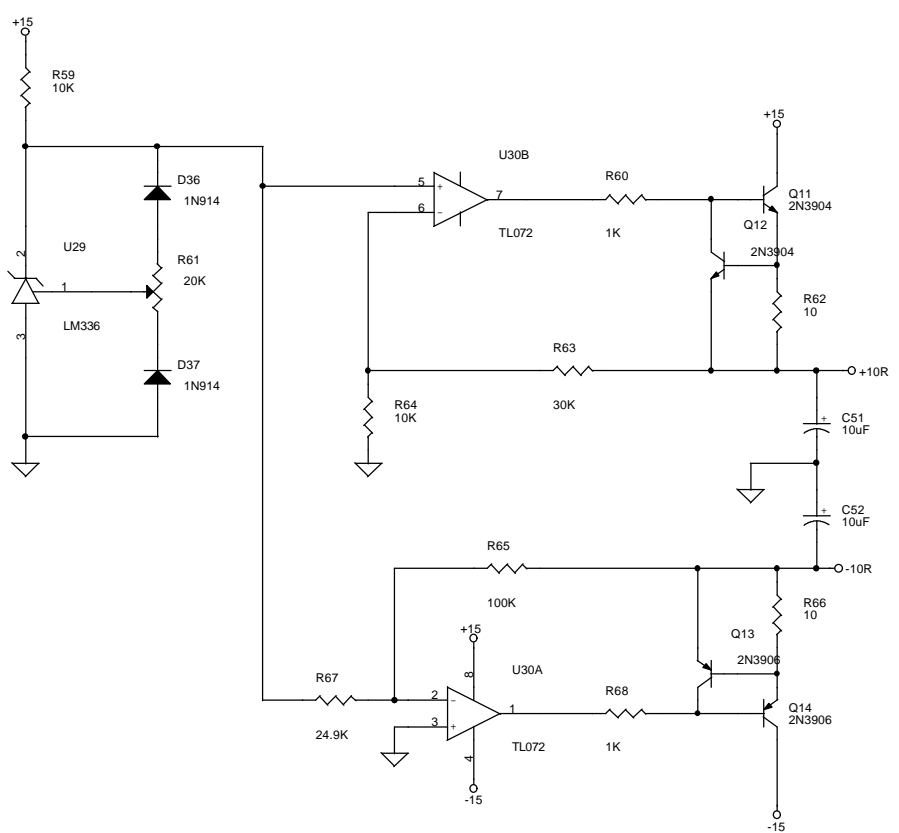
Title		
LOGIC		
Size	Document Number	Rev
	100-1013	A
Date:	Sunday, April 21, 2002	Sheet 5 of 10



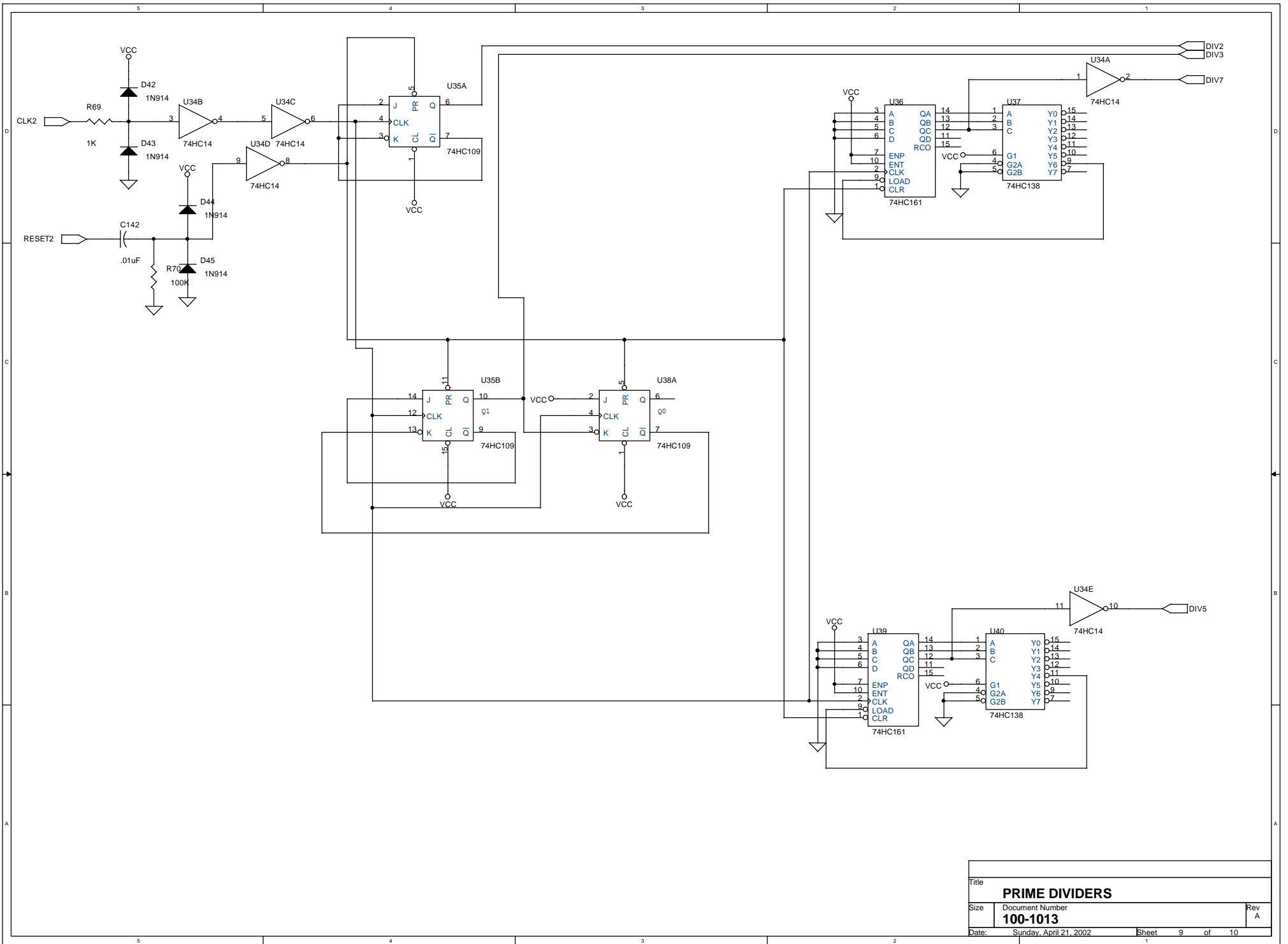
Title		
LOGIC SWITCHES		
Size	Document Number	Rev
	100-1013	A
Date:	Sunday, April 21, 2002	Sheet 6 of 10



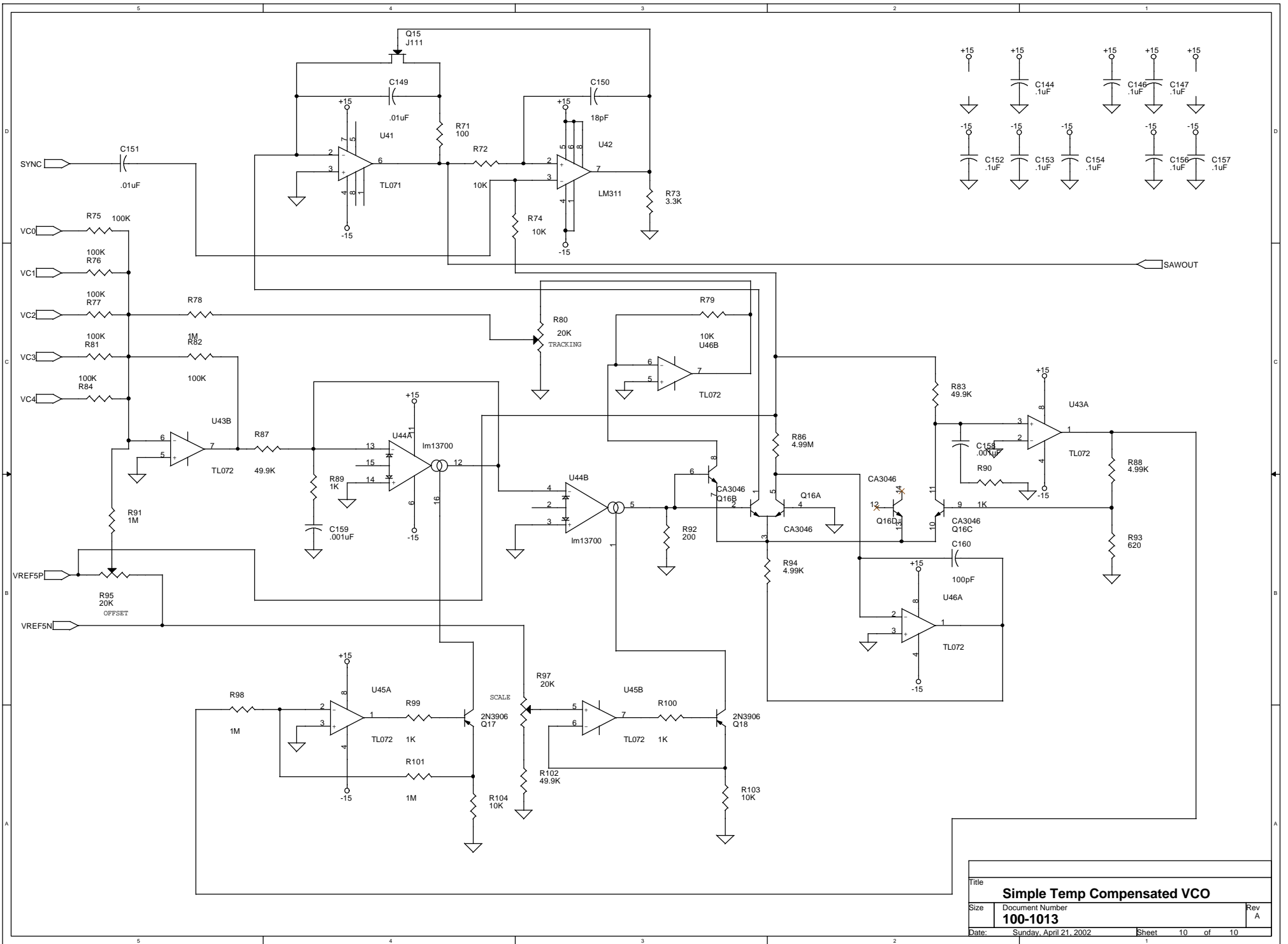
Title		
MASTER CLOCK		
Size	Document Number	Rev
	100-1013	A
Date:	Sunday, April 21, 2002	Sheet 7 of 10



Title		
POWER SUPPLY/REFERENCES		
Size	Document Number	Rev
	100-1013	A
Date:	Sunday, April 21, 2002	Sheet 8 of 10



Title		
PRIME DIVIDERS		
Size	Document Number	Rev
	100-1013	A
Date:	Sunday, April 21, 2002	Sheet 9 of 10



Title		
Simple Temp Compensated VCO		
Size	Document Number	Rev
	100-1013	A
Date:	Sunday, April 21, 2002	Sheet 10 of 10