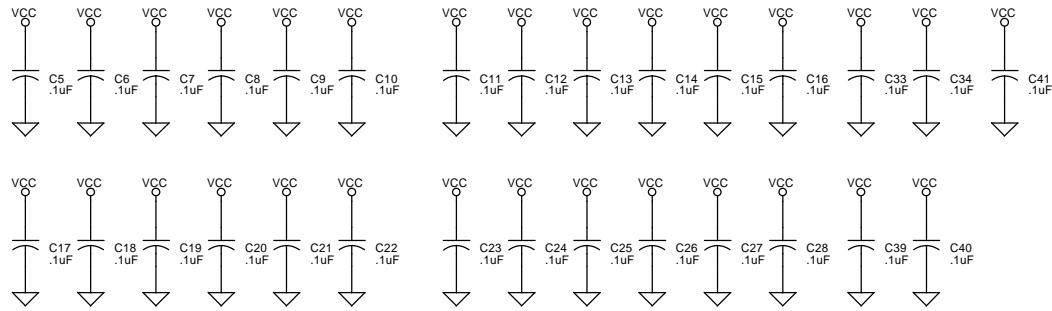
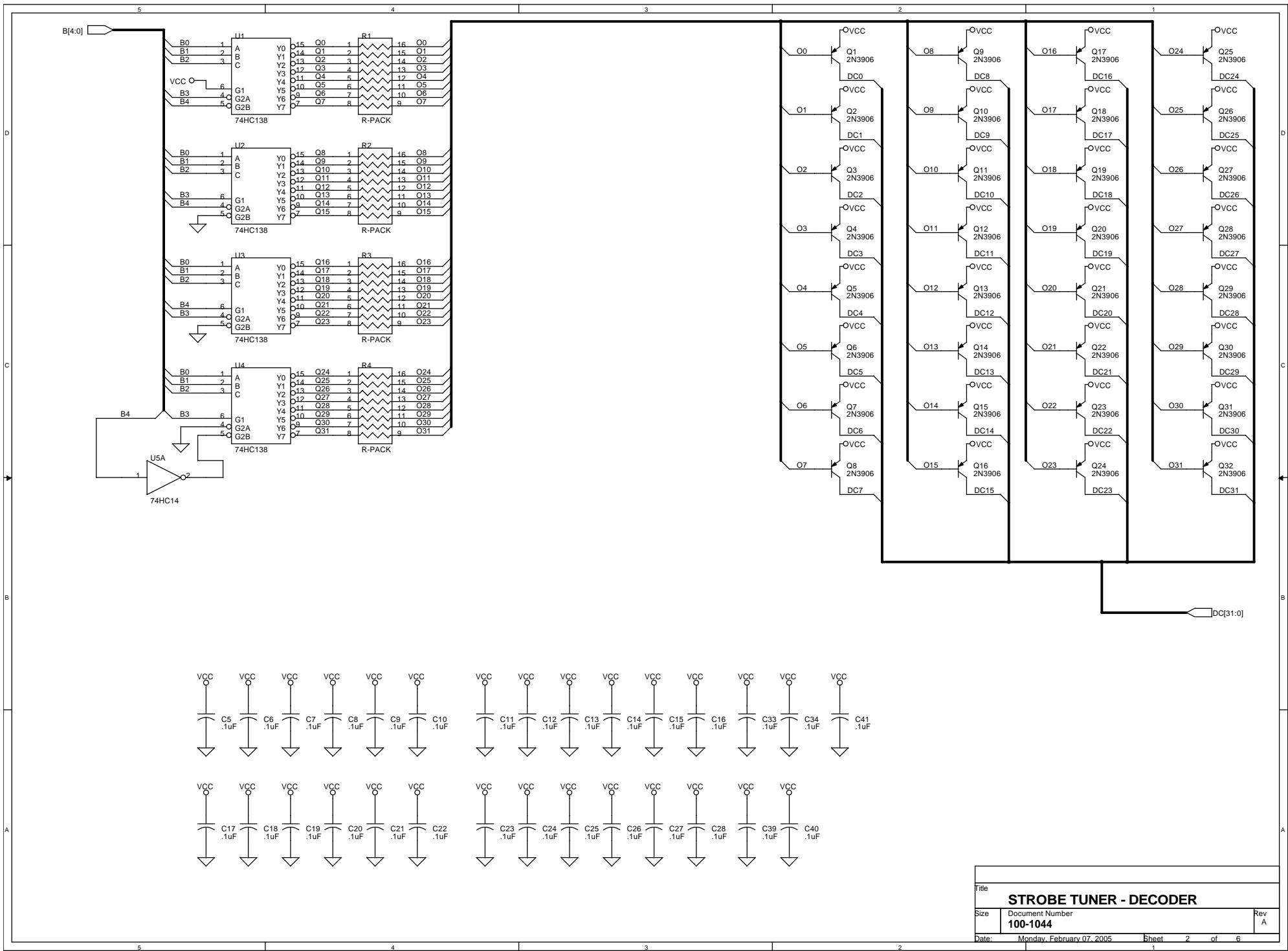
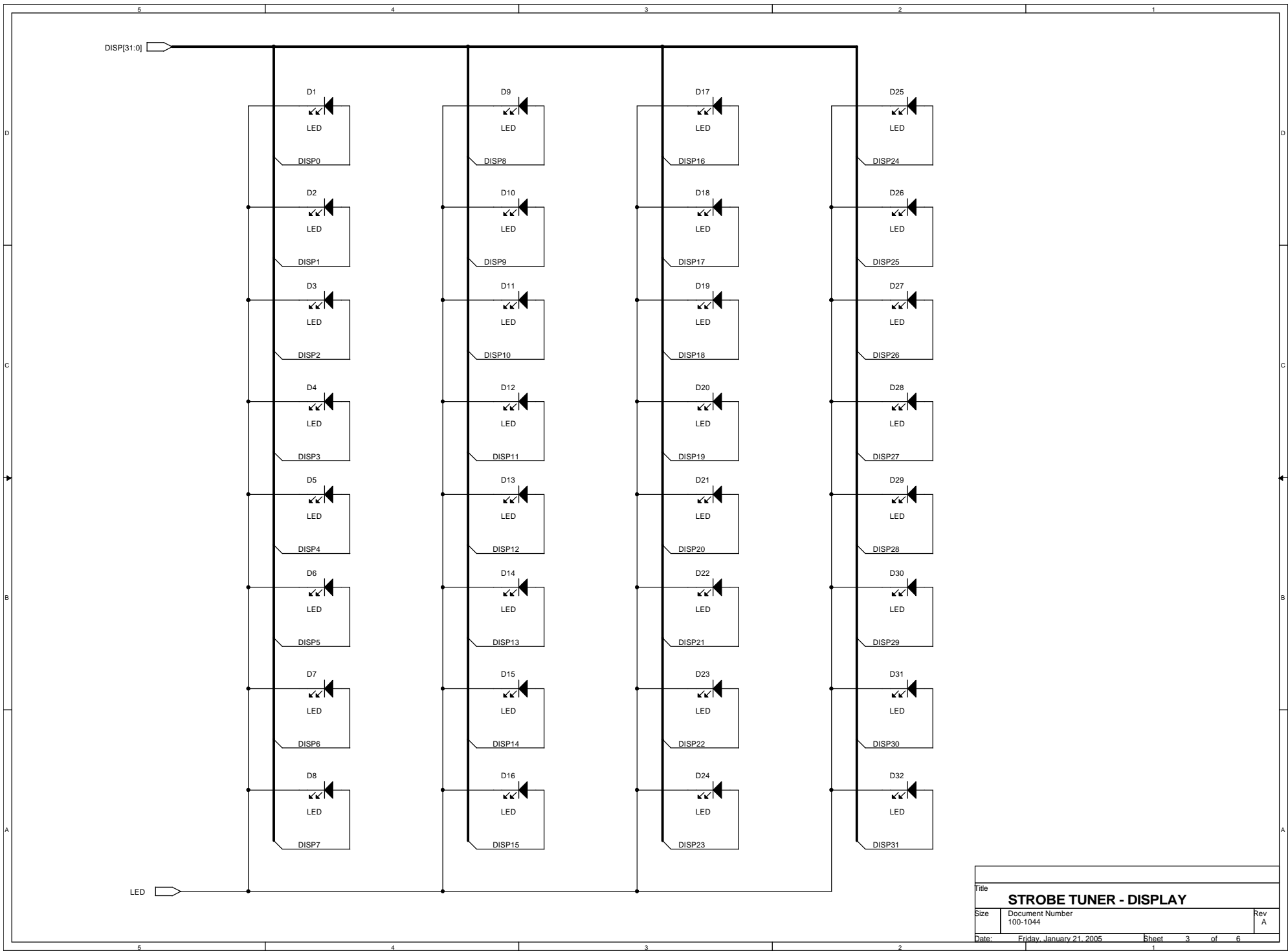


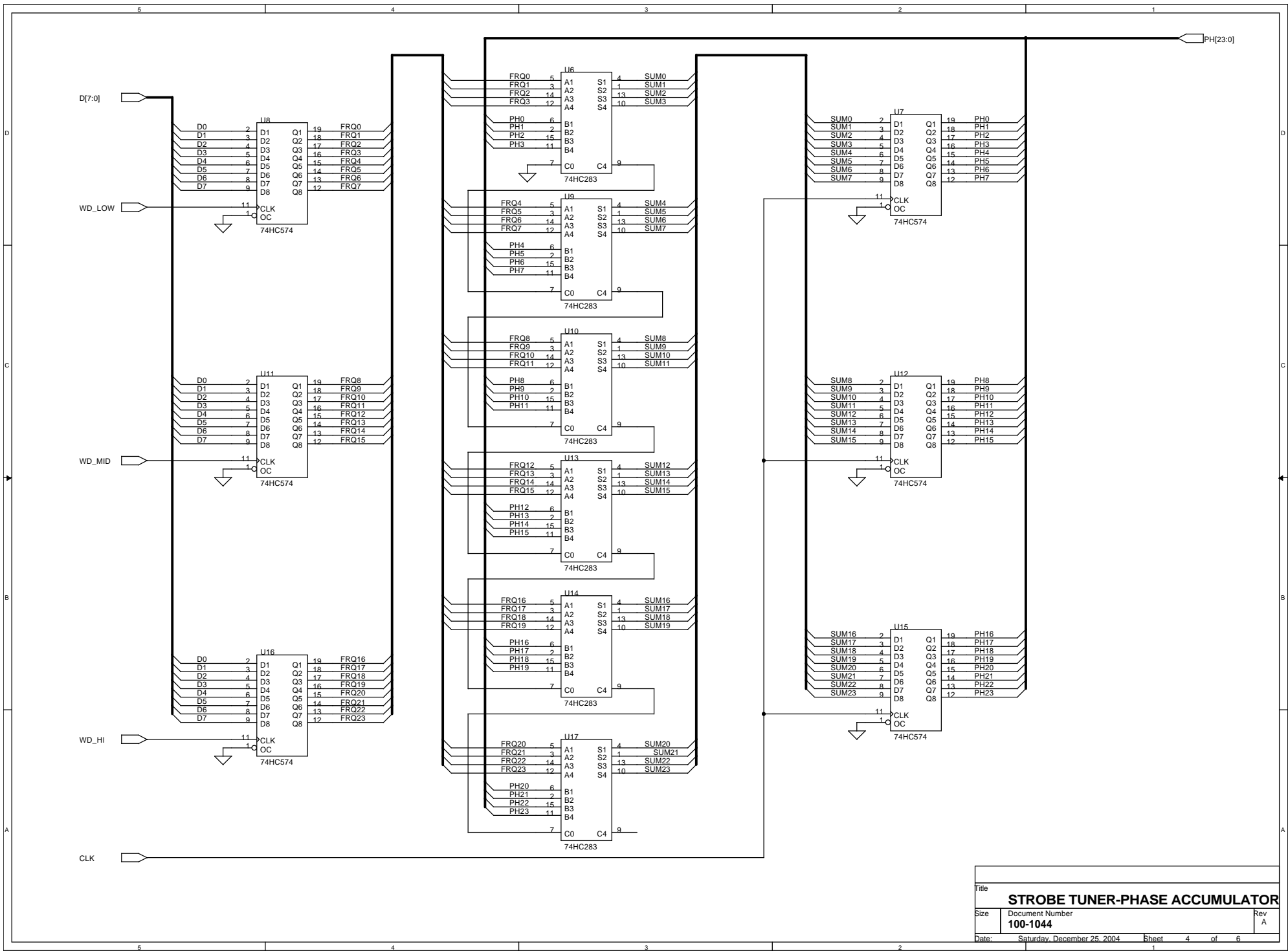
Title		
<b>STROBE TUNER</b>		
Size	Document Number	Rev
	<b>100-1044</b>	<b>A</b>
Date:	Thursday, February 10, 2005	Sheet 1 of 6



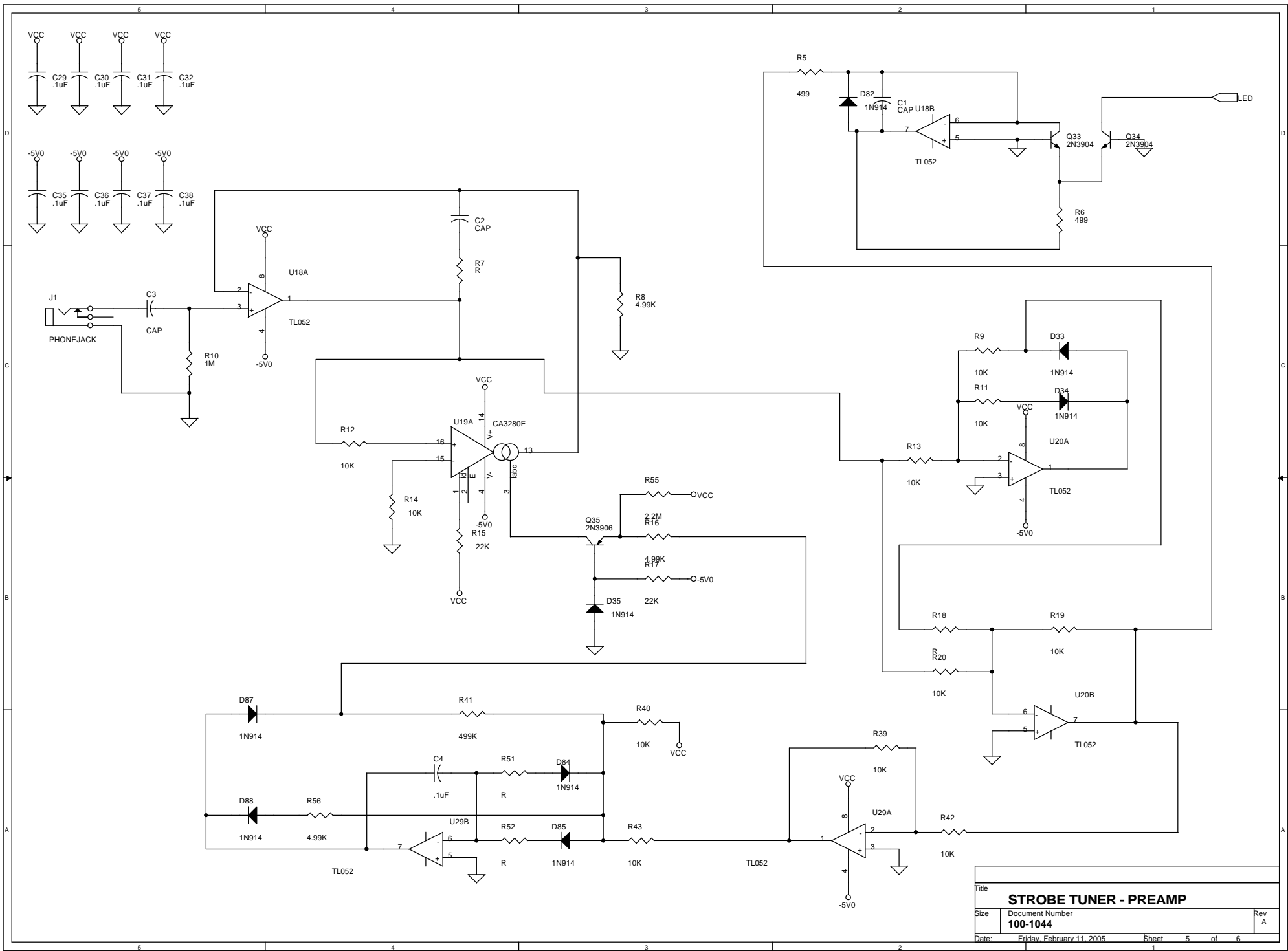
Title		
<b>STROBE TUNER - DECODER</b>		
Size	Document Number	Rev
	<b>100-1044</b>	<b>A</b>
Date:	Monday, February 07, 2005	Sheet 2 of 6



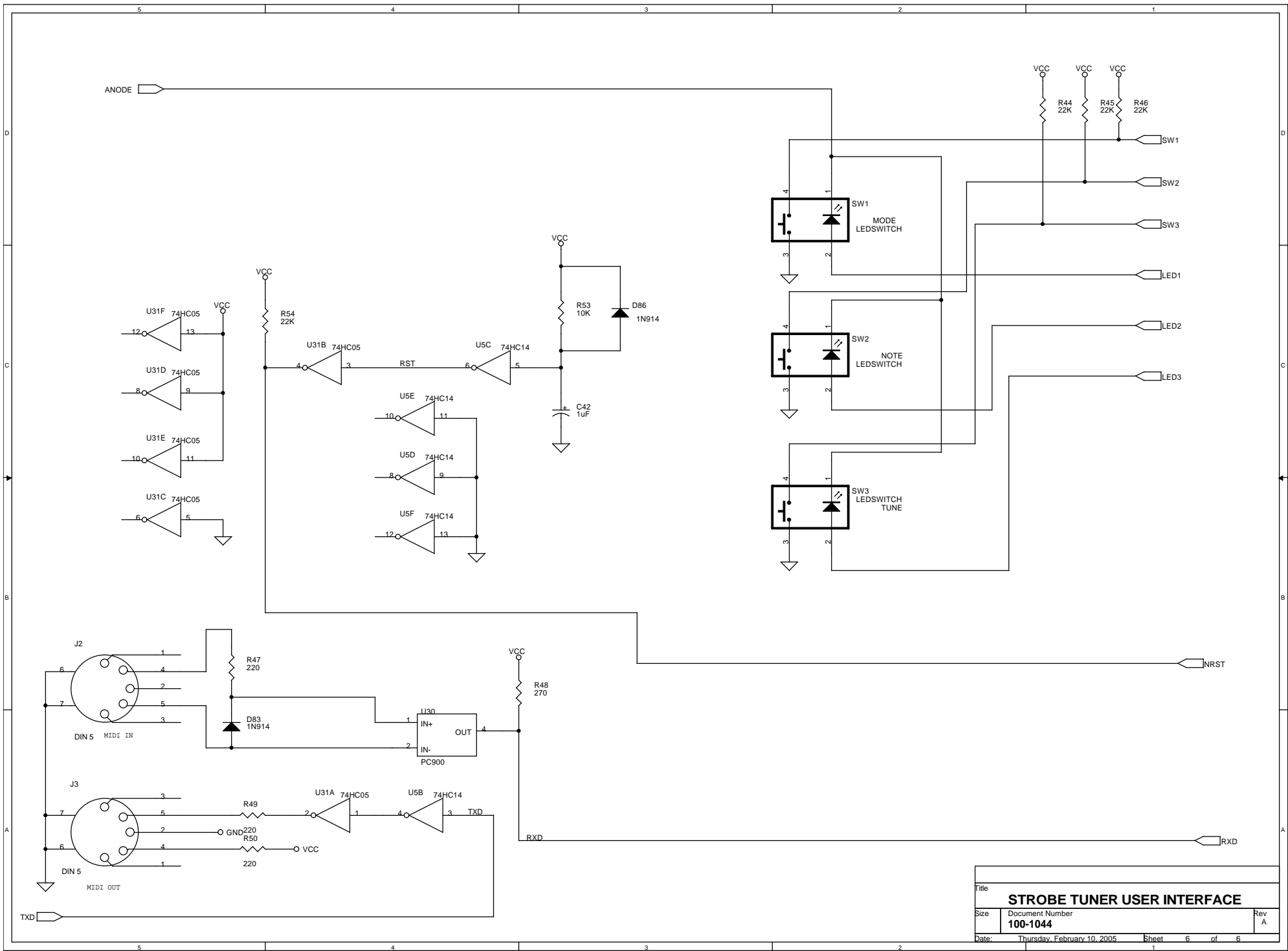
Title		
<b>STROBE TUNER - DISPLAY</b>		
Size	Document Number	Rev
100-1044		A
Date:	Friday, January 21, 2005	Sheet 3 of 6



Title		
<b>STROBE TUNER-PHASE ACCUMULATOR</b>		
Size	Document Number	Rev
	<b>100-1044</b>	<b>A</b>
Date:	Saturday, December 25, 2004	Sheet 4 of 6



Title		
<b>STROBE TUNER - PREAMP</b>		
Size	Document Number	Rev
	<b>100-1044</b>	<b>A</b>
Date:	Friday, February 11, 2005	Sheet 5 of 6



Title		
<b>STROBE TUNER USER INTERFACE</b>		
Size	Document Number	Rev
	<b>100-1044</b>	<b>A</b>
Date:	Thursday, February 10, 2005	Sheet 6 of 6